

**INSTALLATION
SERVICES
AVAILABLE!***

Need a helping hand?

Let our team of professionals handle the installation for you!

GOCONFIGURE
888-888-5424

*Installation services are only available to U.S. customers.

average 2 person assembly time



assembly time may vary based on skill level

Before you begin

**FOR QUICK &
EASY ASSEMBLY**

FIND 3D INSTRUCTIONS
FOR THIS PRODUCT IN

BILT.

DOWNLOAD THE FREE APP



For the most up to date assembly manual,
to register your set, or to order replacement parts please visit
www.backyarddiscovery.com

**SAVE THIS ASSEMBLY MANUAL FOR FUTURE REFERENCE IN THE EVENT THAT
YOU NEED TO ORDER REPLACEMENT PARTS.**



GOCONFIGURE
Putting it all together for you

INSTALLATION SERVICES AVAILABLE!*

Need a helping hand?

Let our team of professionals handle the installation for you!

GOCONFIGURE
888-888-5424

**Installation services are only available
to U.S. customers.*

With Go Configure, we bring you 18 years of experience right to your doorstep. We service a wide array of indoor and outdoor recreation products that most consumers don't have the time or ability to deliver & install themselves.

We do the heavy lifting, so you don't have to!

- 18+ Years of Experience Servicing Big Box Retailers and Direct Consumers
- Highly Skilled, Specialized, Courteous, Professional Service Technicians
- Over 140,000 Installations Annually
- White Glove Service

- Satisfaction Guarantee
- Flexible Appointments, including weekends
- Coverage across the nation

Visit www.goconfigure.com for more info!

**Installation services are only available to U.S. customers.*



The store where you made your purchase does not stock parts for this item.

If you have assembly questions or you are missing or have damaged parts, please call

1-800-856-4445

you can also visit www.backyarddiscovery.com
or e-mail customerservice@backyarddiscovery.com

Please have the following information ready when you make your call:

- Model Number of the product located on the front of the assembly manual
 - Description of the part from the parts list
-
- Read entire assembly manual, paying special attention to the important tips and safety information.
 - Ensure there are no missing pieces by first separating and identifying all parts.
 - Make sure to check packing material for small parts that may have fallen out during shipment.
 - Structures are not intended for public use. Any unintended use such as home child care, daycare center, faith center, government facility, home owner's associate, park or school will make the warranty of our product null & void.
 - This manual contains helpful information concerning assembly preparation, installation procedure and required maintenance.
 - Always keep safety in mind as your structure is being built.
 - Keep these instructions for future reference.



THE MANUFACTURER RESERVES THE RIGHT TO MAKE SUBSTITUTIONS TO WARRANTY CLAIMS IF PARTS ARE UNAVAILABLE OR OBSOLETE

This Limited Warranty by Backyard Discovery applies to products manufactured under the Backyard Discovery brand or its other brands including but not limited to Adventure Playsets, and Leisure Time Products.

Backyard Discovery Wood Play Structure

Backyard Discovery warrants this wooden play product to be free from defects in materials and workmanship for a period of two (2) years from the original date of purchase. All wood carries a five (5) year warranty against rot and decay from the original purchase date.

Backyard Discovery Metal Play Structure

Backyard Discovery warrants this metal play product to be free from defects in materials and workmanship for a period of five (5) years from the original date of purchase.

General Warranty Information

This warranty applies to the original owner and registrant and is non-transferable. Regular maintenance is required to ensure maximum life and performance of this product. Failure by the owner to maintain the product according to the maintenance requirements may void this warranty. Maintenance guidelines are provided in the Owner's Manual.

This Limited Warranty does not cover:

- Natural occurring properties of wood such as twisting, warping, checking, peeling or any other natural occurring properties of wood that do not affect performance or integrity.
- Installation – the warranty is null and void if installation is not in accordance with the Assembly Instructions.
- Labor for any inspection
- Labor for replacement of any defective item(s)
- Incidental or consequential damages
- Cosmetic defects, including rusting, color fading, minor cracks, corrosion, which do not affect performance or integrity of a part or the entire product.
- Vandalism, improper use, failure due to loading or use beyond the capacities stated in the applicable Assembly Manual.
- Acts of nature including but not limited to wind, storms, hail, floods, excessive water exposure.
- Improper installation including but not limited to installation on uneven, unlevel, or soft ground.

Backyard Discovery products have been designed for safety and quality. Any modifications made to the original product could damage the structural integrity of the unit leading to failure and possible injury. Modification voids any-and-all warranties and Backyard Discovery assumes no liability for the modified products or consequences resulting from failure of a modified product. Backyard Discovery disclaims all other representations and warranties of any kind, express or implied.

This product is warranted for RESIDENTIAL USE ONLY. Under no circumstance should a Backyard Discovery product be used in public settings (public settings include but are not limited to churches, day cares, parks, etc.). Such use may lead to product failure and potential injury. Any and all public use will void this warranty.

USA and Canada: To make a warranty or replacement part claim please visit backyarddiscovery.com or call Backyard Discovery customer service at 800-856-4445. Backyard Discovery will, at its sole discretion, replace any part within the stated warranty period that is defective in workmanship or materials. At Backyard Discovery's discretion, photographs of the defective part, physical return of the defective part to Backyard Discovery, or proof of purchase may be required for verification.

Outside of the USA and Canada: Contact place of purchase or distributor for warranty service.

This Warranty gives you specific legal rights. You may have other rights as well which vary from state to state, province to province or country to country, where you bought the product. This warranty excludes all consequential damages however, some states do not allow the limitation or exclusion of consequential damages and therefore this limitation may not apply to you.

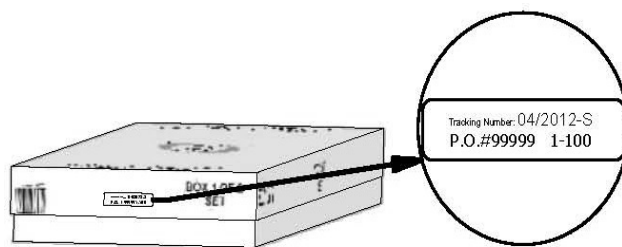
Please read entire booklet completely before beginning the assembly process

Please retain these instructions and your receipt for future reference. Keep them in a safe place where you can refer to them as needed. In order to provide you with the most efficient service, it is required that you provide us with the part numbers when ordering parts.

For Your Records:

Please take time and fill out the information below. This information will be needed for warranty issues.

Where Purchased: _____
 Date of Purchase: _____
 Installation Date: _____
 Installed by: _____
 Tracking Number: _____



Tracking Number Reference Label

Tracking ID number on the carton and on the bottom of the vertical ID plate are included for tracking purposes associated with warranty claims.



NOTE:

Your Children's Safety Is Our #1 Concern!

Observe the following statements and warnings to reduce the likelihood of serious or fatal injury. Please review these safety rules regularly with your children.



WARNING: BURN HAZARD

- Pay special attention to plastic and metal surfaces as they may be hot enough to cause burns.
- Always check the temperature of the product before letting your children play on it.
- Remember that the product may cause burns if left in direct sunlight.
- Always be aware of the sun and weather conditions, and do not assume that the equipment is safe because the air temperature is not very high.

- Children **MUST NOT** use this playcenter until unit has been completely assembled and inspected by an adult to ensure set has been properly installed and anchored.
- Equipment is recommended for use by children 3 to 10 years of age.
- This Playcenter is designed for a specific number of occupants whose combined weight should not exceed the designated weight on the elevated floor or the swing area. The total unit capacity is outlined in the Basic Setup Dimensions section of instruction manual. The maximum fall height and recommended play area is also available in the Basic Setup Dimensions section of the manual.
- On-site, continuous adult supervision is **REQUIRED. MOST SERIOUS INJURIES AND DEATHS ON PLAYGROUND EQUIPMENT HAVE OCCURRED WHILE CHILDREN WERE UNSUPERVISED!**
- **DO NOT** allow children to walk close to, in front of, behind, or between moving swings or other moving playground equipment.
- **DO NOT** let children stand on swings.
- Children should **NOT** twist the chains and ropes and should not loop them over the top support bar, this could reduce the strength of the chain or rope.
- **DO NOT** let children push empty seats. The seat could hit them and cause serious injury.
- Instruct and teach children to sit in the center of the swings with their full weight on the seats.
- **DO NOT** allow children to use the equipment in a manner other than intended.
- Instruct children **NOT** to get off equipment while it is in motion.
- Instruct children to **ALWAYS** go down slides feetfirst. Never slideheadfirst.
- Instruct children to **LOOK** before they slide to make sure no one is at the bottom.
- **DO NOT** allow children to go down slide head first or run up slide.
- **DRESS CHILDREN APPROPRIATELY.** (Examples would include wearing well-fitting shoes and the avoidance of ponchos, scarfs, and other loose-fitting clothing that is potentially hazardous while using equipment). Children must wear shoes when using the play set. Do not allow children to wear open toe or heel footwear like sandals, flip-flops or clogs.
- **DO NOT** allow children to climb when the equipment is wet.
- Children should **NEVER** jump from a fort deck. They should always use the ladder, ramp or slide.
- Children should **NEVER** be allowed to crawl or walk across the top of monkey bars.
- **DO NOT** allow children to crawl on top of a fort roof.
- Verify that any suspended climbing ropes, chain, or cable are secured at both ends and that they cannot be looped back on themselves as to create an entanglement hazard.
- **DO NOT** let children attach items to the playground equipment that are not specifically designed for use with the equipment. Items such as, but not limited to, jump ropes, clothesline, pet leashes, cables and chain can cause a strangulation hazard.
- Children should **NEVER** wrap their legs around swing chain.
- **DO NOT** allow children to slide down the swing chain.
- Instruct children to remove their bike or other sports helmet before playing on playground equipment.
- **NEVER** add extra length to chain or rope. The chains or ropes provided are the maximum length designed for the swinging element(s).
- On sunny and/or hot days, check the slide and other plastic rides to assure that they are not hot to the touch to cause burns. Cool hot slide and rides with water and wipe dry prior to using.

Modifications

- Modifications made by the consumer to the original activity toy shall be carried out according to the instructions of the manufacturer. In particular, instructions shall be provided with kit/accessory about the installation of rope/nets concerning the minimum diameter, the need for fixation at both ends, overall length, and positioning in relation to other structures.



Positioning Your Playcenter

- The playcenter is designed to be installed on a level surface by an adult with an adult helper. Place in a flat area of your yard to minimize ground preparation.
- Choose a level location for the equipment. This can reduce the likelihood of the play set tipping over and loose-fill surfacing material washing away during heavy rains.
- Place the equipment not less than 6'-7" (2.0 m) from any structure or obstruction such as a fence, garage, house, overhanging branches, laundry lines, or electrical wires.
- Provide enough room so that the children can use the equipment safely. For example, for structures with multiple play activities, a slide should not exit in front of a swing.
- It is a good idea to place your playcenter in an area that is convenient for adults to watch children at play.
- Create a site free of obstacles that could cause injuries – such as low overhanging tree branches, overhead wires, tree stumps and/or roots, large rocks, bricks and concrete. Additional suggestions in the Suggested Playground Surfacing Section.
- Do not build your playset on top of surfacing material.
- Locate bare metal platforms and slides out of direct sunlight to reduce the likelihood of serious burns. A slide that faces north will receive the least direct sunlight.
- Separate active and quiet activities from each other. For example, locate sandboxes away from swings or use a guardrail or barrier to separate the sandbox from the movement of the swings.

Suggested Playground Surfacing

- Do not install home playground equipment over concrete, asphalt, packed earth, grass, carpet, or any other hard surface. A fall onto a hard surface can result in serious injury to the equipment user.
- Do not install loose fill surfacing over hard surfaces such as concrete or asphalt.
- Shredded bark mulch, wood chips, fine sand and fine gravel, are added as shock absorbing materials after assembly. If used properly these materials can absorb some of the impact of a child's fall.
- All surface material should extend a minimum of 6'-7" (2.0 m) feet in all directions around the play area.
- Do not apply playground surfacing until after the unit is completely constructed. Playset should not be built on top of surfacing.
- Use containment, such as digging out around the perimeter and/or lining the perimeter with landscape edging.
- Installations of rubber tiles or poured-in-place surfaces (other than loose-fill materials) generally require a professional and are not "do-it-yourself" projects.
- Shall use Playground Surfacing Materials (other than loose-fill material) which comply with the safety standard ASTM F1292 Standard Specification of Impact Attenuation of Surfacing Materials within the Use Zone of Playground Equipment.
- Anchors shall be placed as instructed to reduce tipping hazards.

The following chart explains the fall height in feet from which a life threatening head injury would not be expected

Critical Heights in feet (m) of Tested Materials

Material	Uncompressed Depth			Compressed Depth to 9" (228mm)
	6" (152mm)	9" (228mm)	12" (304mm)	
Wood Chips	7' (2.13m)	10-12' (3.0-3.6m)	11' (3.35m)	10' (3.05m)
Double-Shredded Bark Mulch	6' (1.83m)	10-12' (3.0-3.6m)	11' (3.35m)	7' (2.13m)
Engineered Wood Fibers	6' (1.83m)	7' (2.13m)	>12' (3.66m)	6' (1.83m)
Fine Sand	5' (1.52m)	5' (1.52m)	9' (2.74m)	5' (1.52m)
Coarse Sand	5' (1.52m)	5' (1.52m)	6' (1.83m)	4' (1.22m)
Fine Gravel	5' (1.52m)	7' (2.13m)	10' (3.05m)	6' (1.83m)
Medium Gravel	5' (1.52m)	5' (1.52m)	6' (1.83m)	5' (1.52m)
Shredded Tires*	10-12' (3.0-3.6m)	N/A	N/A	N/A

*This data is from tests conducted by independent testing laboratories on a 6-inch depth of uncompressed shredded tire samples produced by four manufacturers. The tests reported critical heights, which varied from 10 feet to greater than 12 feet. It is recommended that persons seeking to install shredded tires as a protective surface request test data from the supplier showing the critical height of the material when it was tested in accordance with ASTM F1292.



APPENDIX A

The following information is from the United States Consumer Product Safety Commission's Information Sheet for playground surfacing material; also see the following website for additional information: www.cpsc.gov

X3. SECTION 4 OF THE CONSUMER PRODUCT SAFETY COMMISSION'S OUTDOOR HOME PLAYGROUND SAFETY HANDBOOK⁹

X3.1 Select Protective Surfacing—One of the most important things you can do to reduce the likelihood of serious head injuries is to install shock-absorbing protective surfacing under and around your play equipment. The protective surfacing should be applied to a depth that is suitable for the equipment height in accordance with ASTM Specification F 1292. There are different types of surfacing to choose from; whichever product you select, follow these guidelines:

X3.1.1 Loose-Fill Materials:

X3.1.1.1 Maintain a minimum depth of 9 inches of loose-fill materials such as wood mulch/chips, engineered wood fiber (EWF), or shredded/recycled rubber mulch for equipment up to 8 feet high; and 9 inches of sand or pea gravel for equipment up to 5 feet high. NOTE: An initial fill level of 12 inches will compress to about a 9-inch depth of surfacing overtime. The surfacing will also compact, displace, and settle, and should be periodically refilled to maintain at least a 9-inch depth.

X3.1.2 Use a minimum of 6 inches of protective surfacing for play equipment less than 4 feet in height. If maintained properly, this should be adequate. (At depths less than 6 inches, the protective material is too easily displaced or compacted.)

NOTE: Do not install home playground equipment over concrete, asphalt, or any other hard surface. A fall onto a hard surface can result in serious injury to the equipment user. Grass and dirt are not considered protective surfacing because wear and environmental factors can reduce their shock absorbing effectiveness. Carpeting and thin mats are generally not adequate protective surfacing. Ground level equipment such as a sandbox, activity wall, playhouse or other equipment that has no elevated play surface – does not need any protective surfacing.

X3.1.3 Use containment, such as digging out around the perimeter and/or lining the perimeter with landscape edging. Don't forget to account for water drainage.

X3.1.3.1 Check and maintain the depth of the loose-fill surfacing material. To maintain the right amount of loose-fill materials, mark the correct level on play equipment support posts. That way you can easily see when to replenish and/or redistribute the surfacing.

X3.1.3.2 Do not install loose-fill surfacing over hard surfaces such as concrete or asphalt.

X3.1.4 Poured-In-Place Surfaces or Pre-Manufactured Rubber Tiles — You may be interested in using surfacing other than loose-fill materials – like rubber tiles or poured-in-place surfaces.

X3.1.4.1 Installations of these surfaces generally require a professional and are not “do-it-yourself” projects.

X3.1.4.2 Review surface specification before purchasing this type of surfacing. Ask the installer/manufacture for a report showing that the product has been tested to the following safety standard: ASTM F 1292 Standard Specification for Impact Attenuation of Surfacing Materials within the Use Zone of Playground Equipment. This report should show the specific height for which the surface is intended to protect against serious head injury. This height should be equal to or greater than the fall height – vertical distance between a designated play surface (elevated surface for standing, sitting, or climbing) and the protective surfacing below – of your play equipment

X3.1.4.3 Check the protective surfacing frequently for wear.

X3.1.5 Placement — Proper placement and maintenance of protective surfacing is essential. Be sure to:

X3.1.5.1 Extend surfacing at least 6 feet from the equipment in all directions.

X3.1.5.2 For to-fro swings, extend protective surfacing in front of and behind the swing to a distance equal to twice the height of the top bar from which the swing is suspended.

⁹This information has been extracted from the CPSC publications “Playground Surfacing — Technical Information Guide” and “Handbook for Public Playground Safety.” Copies of these reports can be obtained by sending a postcard to the: Office of Public Affairs, U.S. Consumer Product Safety Commission, Washington, D.C., 20207 or call the toll-free hotline: 1-800-638-2772.

The American Society for Testing and Materials takes no position respecting the validity of any parent right asserted in connection with any item mentioned in this standard. Users of this standard are expressly advised that determination of the validity of any such parent rights, and the risk of infringement of such rights, are entirely their own responsibility.

The standard is subject to revision at any time by the responsible technical committee and must be reviewed every five years and if not revised, either approved or withdrawn. Your comments are invited either for revision of this standard or for additional standards and should be addressed to ASTM Headquarters. Your comments will receive careful consideration at a meeting of the responsible technical committee, which you may attend. If you feel that your comments have not received a fair hearing you should make your views known to the ASTM Committee on Standards. 100 Barr Harbor Drive, West Conshohocken, PA 19428.



IT IS IMPORTANT TO CHECK AND TIGHTEN ALL HARDWARE AT THE BEGINNING AND DURING THE SEASON AS THEY MAY LOOSEN DUE TO WOOD EXPANSION AND CONTRACTION.

At the beginning of each play season

- Tighten all hardware.
- Lubricate all metallic moving parts per manufacturer's instructions.
- Check all protective coverings on bolts, pipes, edges, and corners. Replace if they are loose, cracked, or missing.
- Check all moving parts including swing seats, ropes, cables, and chains for wear, rust, or other deterioration. Replace as needed.
- Check metal parts for rust. If found, sand and repaint using a non lead-based paint meeting the requirements of 16 CFR 1303.
- Check all wood members for deterioration and splinters. Sand down splinters and replace deteriorating wood members.
- Reinstall any plastic parts, such as swing seats or any other items that were removed for the cold season.
- Rake and check depth of loose fill protective surfacing materials to prevent compaction and to maintain appropriate depth. Replace as necessary.

Twice a month during play season

- Tighten all hardware.
- Check all protective coverings on bolts, pipes, edges, & corners. Replace if they are loose, cracked, or missing.
- Rake and check depth of loose fill protective surfacing materials to prevent compaction and to maintain appropriate depth. Replace as necessary.

Once a month during play season.

- Lubricate all metallic moving parts per manufacturer's instructions.
- Check all moving parts including swing seats, ropes, cables, and chains for wear, rust, or other deterioration. Replace as needed.

At the end of each season or when the temperature drops below 32° F

- Remove plastic swing seats and other items as specified by the manufacturer and take indoors or do not use.
- Rake and check depth of loose fill protective surfacing materials to prevent compaction and to maintain appropriate depth. Replace as necessary.

Additional Maintenance

- Check the swing beam and hardware every two weeks due to wood expansion and contraction. It is particularly important that this procedure be followed at the beginning of each season.
- Inspect wood parts monthly. The grain of the wood sometimes will lift in the dry season causing splinters to appear. Light sand may be necessary to maintain a safe playing environment. Treat your playset with stain regularly, to help prevent severe checking/splitting and other weather damage.
- A waterborne transparent stain has been applied to your playset. This is done for color only. Once or twice a year, depending on your climate conditions, you must apply some type of protection (sealant) to the wood of your unit. Prior to the application of sealant, lightly sand any "rough" spots on your playset. Please note this is a requirement of your warranty.
- Assembling and maintaining the playset on a level location is very important. As your children play, your playset will slowly dig its way into the soil, and it is very important that it settles evenly. Make sure the playset is level and true one each year or at the beginning of each play season.

Disposal Instructions

When the Playcenter use is no longer desired, it should be disassembled and disposed of in such a way that no unreasonable hazards will exist at the time the unit is discarded.



Third Party Assembly

- Customer may, in their sole discretion, elect to use a third party person or service to assemble this product. Backyard Discovery assumes no responsibility or liability for any charge incurred by the Customer for any assembly services. Please see our warranty for more information about damaged and missing part replacement coverage. Backyard Discovery will not reimburse Customer for the price of parts purchased.
- Modifications made by the consumer to the original activity toy shall be carried out according to the instructions of the manufacturer. In particular, instructions shall be provided with kit/accessory about the installation of rope/nets concerning the minimum diameter, the need for fixation ends, overall length, and positioning in relation to other at both structures.

OWNERS SHALL BE RESPONSIBLE FOR MAINTAINING THE LEGIBILITY OF THE WARNING LABELS



Your Backyard Discovery structure is designed and constructed of quality materials. As with all outdoor products it will weather and wear. To maximize the enjoyment, safety and life of your structure it is important that you properly maintain it.

About Our Wood

Backyard Discovery uses 100% Cedar (C. Lanceolata) wood. Although we take great care in selecting the best quality lumber available, wood is still a product of nature and susceptible to weathering which can change the appearance of your set.

What causes weathering? Does it affect the strength of my product?

One of the main reasons for weathering is the effects of water (moisture); the moisture content of the wood at the surface is different than the interior of the wood. As the climate changes, moisture moves in or out of the wood, causing tension which can result in checking and or warping. You can expect the following due to weathering. These changes will not affect the strength of the product:

1. Checking is surface cracks in the wood along the grain. A post (4" x 4") will experience more checking than a board (1" x 4") because the surface and interior moisture content will vary more widely than in thinner wood.

2. Warping results from any distortion (twisting, cupping) from the original plane of the board and often happens from rapid wetting and drying of the wood.

3. Fading happens as a natural change in the wood color as it is exposed to sun-light and will turn grey over time.

How can I reduce the amount of weathering to wood product?

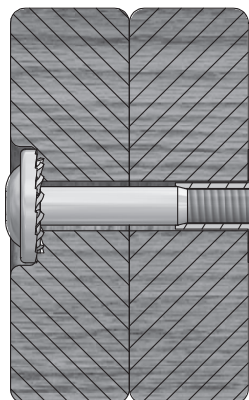
1. Your wood product is coated with a water-based stain. Sunlight will break down the coating, so we recommend applying a water repellent or stain on a yearly basis (see your local stain and paint supplier for a recommended product). You must apply some type of protection (sealant) to the wood of your product. **Please note this is a requirement of your warranty.** Most weathering is just the normal result of nature and will not affect safety. However if you are concerned that a part has experienced a severe weathering problem please call our customer service department for further assistance.

2. Inspect wood parts monthly. The grain of the wood sometimes will lift in the dry season causing splinters to appear. Light sanding may be necessary to maintain a safe environment. Treating your Product with protection (sealant) after sanding will help prevent severe checking/splitting and other weather damage.



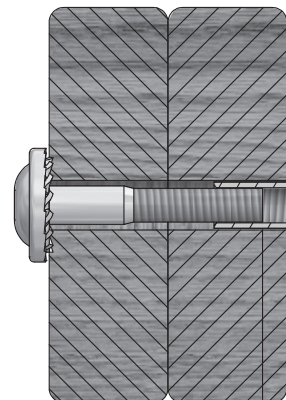
Protrusion Hazard

Incorrect



If you see exposed threads and your bolt protrudes beyond the T-Nut you may have over tightened the bolt or used incorrect hardware. If you've overtightened, remove the bolt and add washers to eliminate the protrusion.

Correct

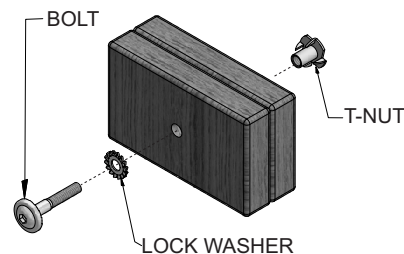


1/8"

Proper Hardware Assembly

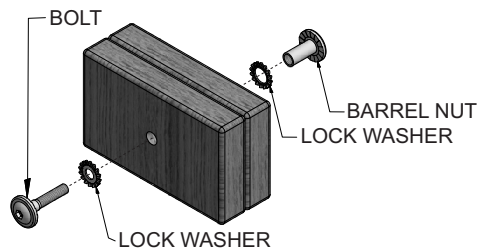
Bolt and T-Nut Assembly

Tap T-nut into the provided hole. Insert your bolt through the lock washer and insert into the provided hole opposite from the T-Nut. Turn clockwise to thread into T-nut. Do not completely tighten until instructed.



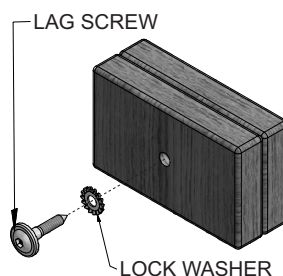
Bolt and Barrel Nut Assembly

Insert barrel nut through the lock washer and press the pair through the provided hole. Insert your bolt through the second lock washer and insert the pair into the provided hole opposite from the barrel nut. Turn clockwise to thread into the barrel nut. Do not completely tighten until instructed.



Lag Assembly

Normally there will be a pre-drilled pilot hole on assemblies that require a Lag Screw. If there is no pilot hole, line up the two boards as they are to be attached and use the factory drilled hole as a guide to drill another pilot hole into the adjoining board. This will keep the wood from splitting. Only a lock washer is required for steps with Lag Screws.

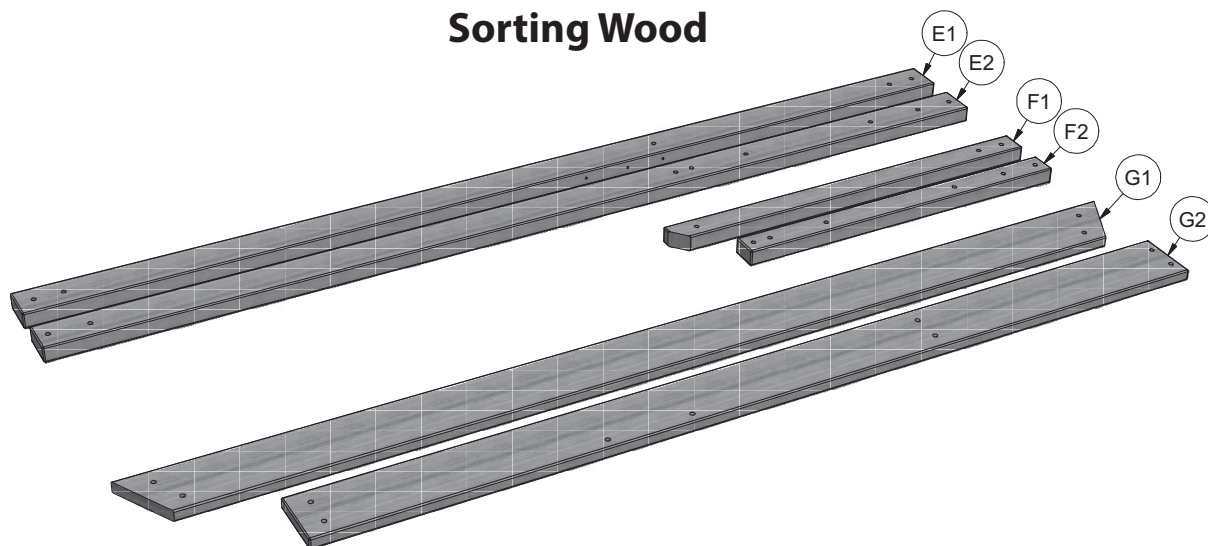




ASSEMBLY TIP:

Keep an eye out for these boxes which will contain helpful pictures and information making the assembly process as quick and painless as possible.

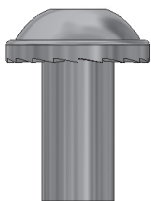
Sorting Wood



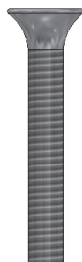
When removing the wood from the boxes we recommend arranging them by part number before you begin assembly. This will allow for faster assembly and easily identify any parts that may be missing or damaged.

Sorting Hardware

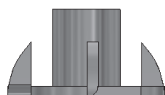
NUT BARREL
H100545



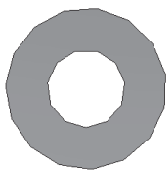
SCREW
H100695



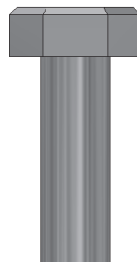
T-NUT
H100699



WASHER FLAT
H100706



BOLT HEX
H100716



BOLT
H100718



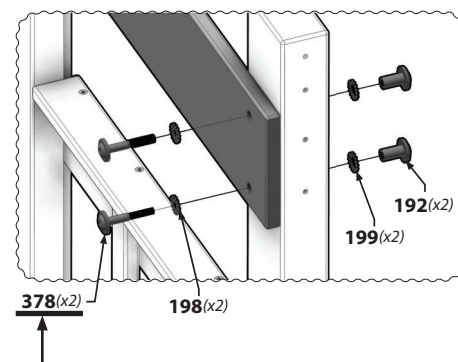
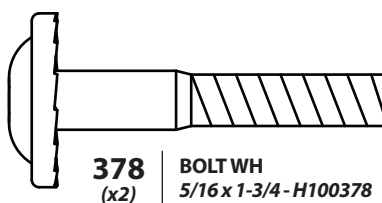
SCREW PWH
H100742

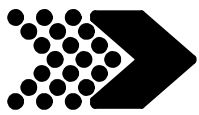


To help with assembly we recommend sorting your hardware bags with the seven digit alpha-numeric number printed on the bags or by hardware type (i.e. bolts, nuts, etc.). Organizing your hardware will make assembly easier.

Hardware Identification

Hardware bags are printed with a seven digit alpha-numeric part number. During assembly you only need to reference the last three digits of the part number as noted in each step. This will make finding the correct hardware easier.





Place the set on level ground, not less than 6'-7" [2 m] from any structure or obstruction such as a fence, garage, house, overhanging branches, laundry lines, or electrical wires.

- While assembling unit, take time before and after each phase to make sure fort is level. If fort is not level, assembly will be difficult and improper assembly may result. Extra care must be taken to insure the fort is square.
- The safe play area refers to a zone extending 6'-7" (2 m) beyond the play product on all sides, including the space above the play product.

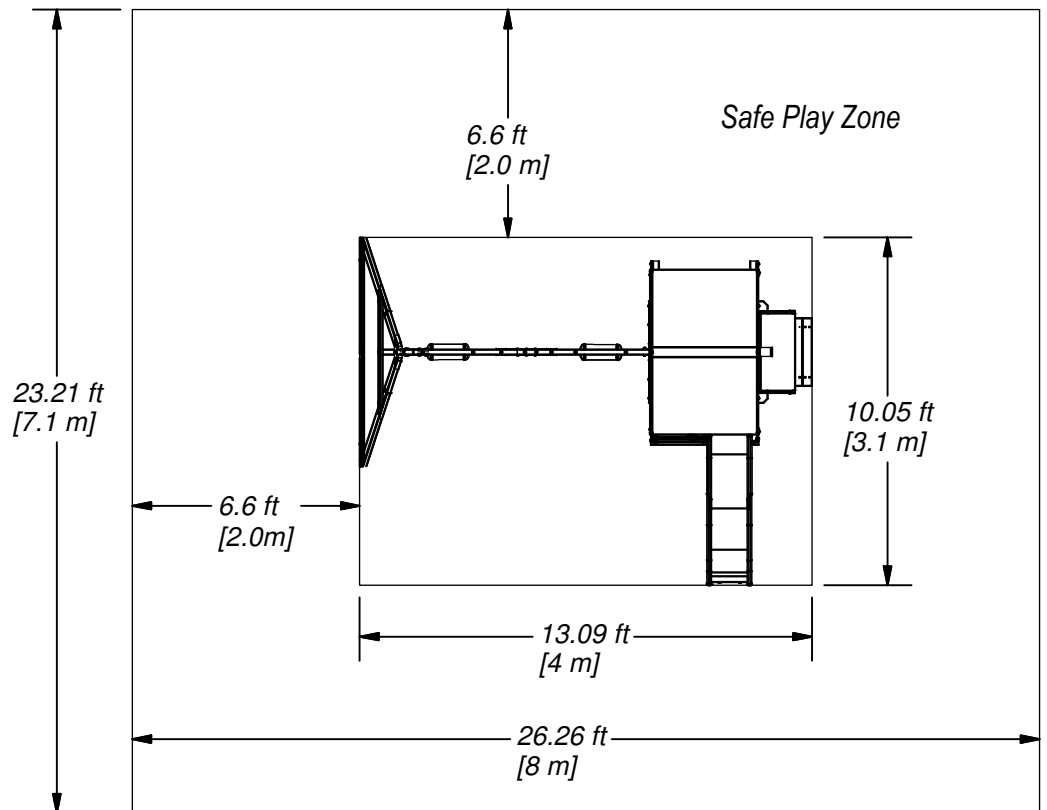
SAFE PLAY AREA DIAGRAM

Ground Dimension

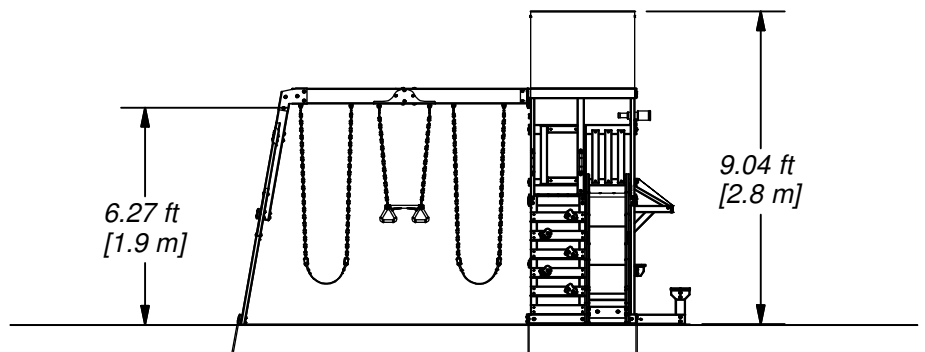
13.09 ft [4.0 m] x 10.05 ft [3.1 m]

Safe Play Area

26.26 ft [8.0 m] x 23.21 ft [7.1 m] x 15.7 ft [4.8 m]

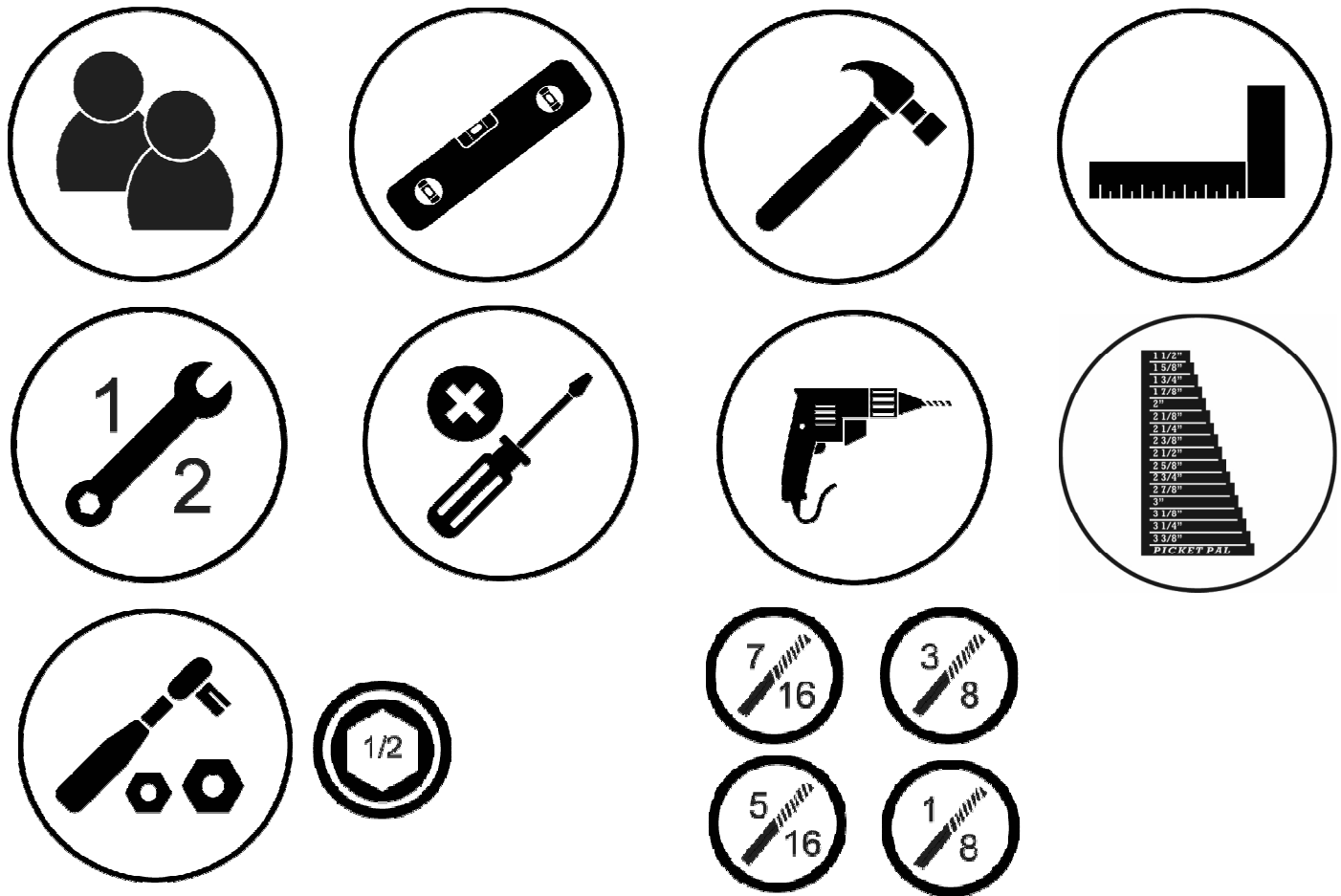
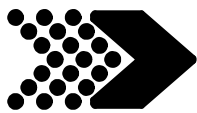


SAFE PLAY HEIGHT: 15.7 ft [4.8 m]
MAXIMUM FALL HEIGHT: 6.27 ft [1.9 m]



General Information:

Your set has been designed and engineered for children only and for residential use only.
 A maximum of 150 lbs. per child is recommended for play activities designed for individual use.
 A maximum of 120 lbs. per child is recommended for play activities designed for multiple child use.
 A maximum of 9 children is recommended for this swing set.



Icons and their uses you will see throughout this manual



You will need to make sure that your assembly is square before tightening your bolts.



For proper assembly you will need to ensure that your structure is level before proceeding to the next step.



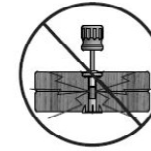
Some steps in the assembly process will require an extra set of hands. Make sure you have a helper available.



This icon shows the size of an open ended wrench. Using the wrench as the fraction bar.



When you see this icon you will need a socket wrench. The icons below show the size of attachments needed for assembly 1/2.



This icon warns you to not over tighten your bolts. This is to prevent structural damage and also splintering your wood.



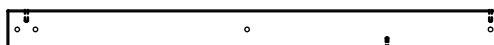
A ladder will be needed for assembly. Do NOT stand on the set when it is incomplete, unstable, and not anchored. Failure to do so may result in injury.



This icon will show you what drill attachments are needed. For this example you will need a Phillips head attachment and 3/8 drill bit.



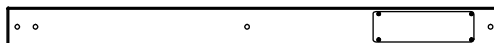
Wood Components (Not to Scale)



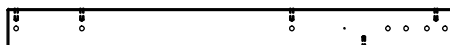
E1 | LOWER UPRIGHT - W4L16118
(x1) | 1 3/8"x3 3/8"x42 3/4" (36x86x1087)



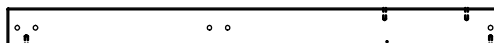
E2 | UPPER UPRIGHT - W4L15659
(x1) | 1 3/8"x3 3/8"x38 7/8" (36x86x989)



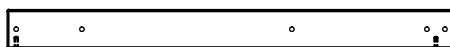
E3 | LOWER UPRIGHT - W2A03289
(x1) | 1 3/8"x3 3/8"x42 3/4" (36x86x1087)



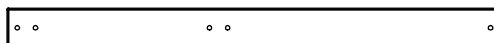
E4 | UPPER UPRIGHT - W4L07298
(x1) | 1 3/8"x3 3/8"x38 7/8" (36x86x989)



E5 | LOWER UPRIGHT - W4L16116
(x1) | 1 3/8"x3 3/8"x42 3/4" (36x86x1087)



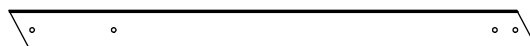
E6 | UPPER UPRIGHT - W4L15658
(x1) | 1 3/8"x3 3/8"x38 7/8" (36x86x989)



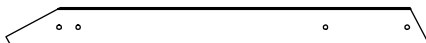
E7 | LOWER UPRIGHT - W4L16117
(x1) | 1 3/8"x3 3/8"x42 3/4" (36x86x1087)



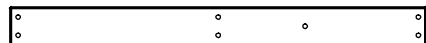
E11 | UPPER UPRIGHT - W4L07307
(x1) | 1 3/8"x3 3/8"x38 7/8" (36x86x989)



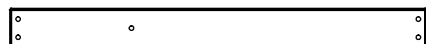
E77 | ANGLE BRACE - W4L15707
(x2) | 1 3/8"x3 3/8"x45 7/8" (36x86x1166)



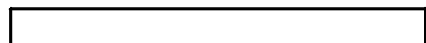
E78 | ANGLE BRACE - W4L15708
(x2) | 1 3/8"x3 3/8"x36 7/8" (36x86x936)



H1 | FLOOR RAIL - W4L07297
(x1) | 1"x3 3/8"x36 1/8" (24x86x919)



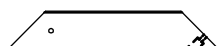
H2 | FLOOR RAIL - W4L07251
(x1) | 1"x3 3/8"x36 1/8" (24x86x919)



H3 | FLOOR SUPPORT - W4L07255
(x1) | 1"x3 3/8"x36 1/8" (24x86x919)



H4 | WALL RAIL - W4L07267
(x1) | 1"x3 3/8"x35 3/8" (24x86x898)



H5 | DECK BRACE - W4L07273
(x4) | 1"x3 3/8"x18 1/2" (24x86x470)



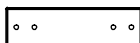
Wood Components (Not to Scale)



H6 | DECK BRACE - W4L07276
(x2) | 1"x3 3/8"x13 3/4" (24x86x350)



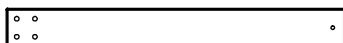
H7 | BENCH GROUND BOARD - W4L07282
(x2) | 1"x3 3/8"x16 7/8" (24x86x430)



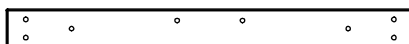
H8 | BENCH UPRIGHT - W4L07284
(x2) | 1"x3 3/8"x11 3/4" (24x86x300)



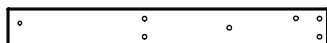
H9 | BENCH SEAT SUPPORT - W4L07283
(x2) | 1"x3 3/8"x6 1/2" (24x86x166)



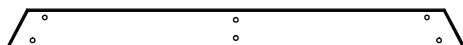
H10 | ROOF SUPPORT - W4L15027
(x2) | 1"x3 3/8"x29 1/2" (24x86x748)



H11 | WALL RAIL - W4L15024
(x1) | 1"x3 3/8"x35 3/8" (24x86x898)



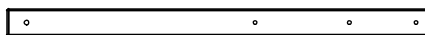
H12 | ROOF BOARD - W4L15025
(x2) | 1"x3 3/8"x27 7/8" (24x86x709)



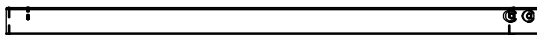
H79 | END SUPPORT - W4L15706
(x1) | 1"x3 1/2"x40" (24x86x1013)



H80 | GROUND BOARD - W4L15709
(x2) | 1"x3 3/8"x41 1/2" (24x86x1053)



J1 | WALL BOARD - W4L07288
(x1) | 1"x2 3/8"x36 5/8" (24x60x930)



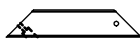
J2 | LADDER RAIL - W4L07287
(x1) | 1"x2 3/8"x46 3/8" (24x60x1177)



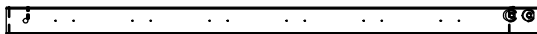
J3 | LADDER RAIL - W4L07265
(x1) | 1"x2 3/8"x46 3/8" (24x60x1177)



J4 | AWNING BOARD - W4L15019
(x2) | 1"x2 3/8"x14 1/8" (24x60x358)



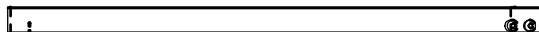
J5 | AWNING SUPPORT - W4L06908
(x2) | 1"x2 3/8"x11 3/4" (24x60x298)



J6 | LADDER RAIL - W4L15023
(x1) | 1"x2 3/8"x46 3/8" (24x60x1177)



Wood Components (Not to Scale)



J7 | LADDER RAIL - W4L07268
(x1) | 1"x2 3/8"x46 3/8" (24x60x1177)



J8 | SHELF SUPPORT - W4L07058
(x2) | 1"x2 3/8"x3 3/8" (24x60x86)



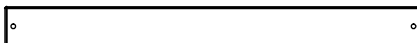
K1 | SERVING SHELF - W4L07271
(x1) | 5/8"x5 1/4"x35 3/8" (16x134x898)



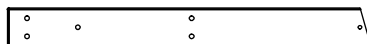
K2 | WALL BOARD - W4L07316
(x1) | 5/8"x5 1/4"x20 1/8" (16x134x510)



K3 | WALL BOARD - W4L07303
(x1) | 5/8"x5 1/4"x18 3/8" (16x134x466)



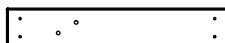
M1 | GROUND BOARD - W4L07252
(x2) | 5/8"x3 3/8"x36 1/8" (16x86x919)



M2 | GROUND BOARD - W4L07299
(x1) | 5/8"x3 3/8"x31 5/8" (16x86x802)



M3 | LADDER RUNG - W4L07520
(x1) | 5/8"x3 3/8"x19 1/4" (16x86x489)



M4 | LADDER RUNG - W4L15032
(x5) | 5/8"x3 3/8"x19 1/4" (16x86x489)



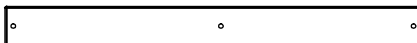
M5 | GROUND BOARD - W4L15021
(x1) | 5/8"x3 3/8"x23 1/4" (16x86x591)



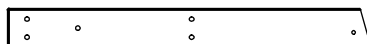
M6 | GROUND BOARD - W4L15022
(x1) | 5/8"x3 3/8"x23 1/4" (16x86x591)



M7 | FLOOR RAIL - W4L07254
(x1) | 5/8"x3 3/8"x37 1/4" (16x86x946)



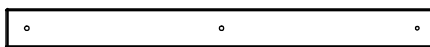
M8 | WALL BOARD - W4L07269
(x1) | 5/8"x3 3/8"x36 1/8" (16x86x919)



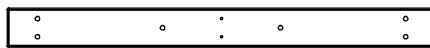
M9 | GROUND BOARD - W4L15031
(x1) | 5/8"x3 3/8"x31 5/8" (16x86x802)



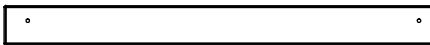
Wood Components (Not to Scale)



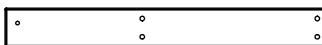
M10 | GROUND BOARD - W4L07286
(x1) | 5/8"x3 3/8"x37 1/2" (16x86x951)



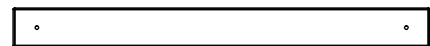
M11 | FLOOR RAIL - W4L07275
(x1) | 5/8"x3 3/8"x37 1/4" (16x86x946)



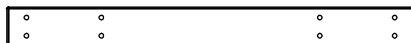
M12 | TARP SUPPORT - W4L15033
(x2) | 5/8"x3 3/8"x37 3/4" (16x86x959)



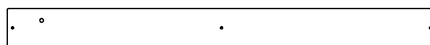
M13 | ROOF BOARD - W4L15026
(x2) | 5/8"x3 3/8"x27 7/8" (16x86x709)



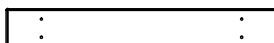
M14 | TARP SUPPORT - W4L15028
(x1) | 5/8"x3 3/8"x36 1/8" (16x86x919)



M16 | GROUND BOARD - W4L15030
(x1) | 5/8"x3 3/8"x35 3/8" (16x86x898)



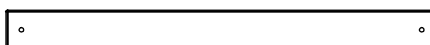
M17 | FLOOR BOARD - W4L12364
(x1) | 5/8"x3 3/8"x37 1/4" (16x86x946)



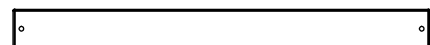
M18 | BENCH SEAT - W4L07098
(x2) | 5/8"x3 3/8"x23 1/2" (16x86x598)



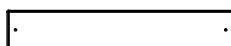
M19 | WALL RAIL - W4L07306
(x2) | 5/8"x3 3/8"x35 3/8" (16x86x898)



M20 | WALL RAIL - W4L07309
(x1) | 5/8"x3 3/8"x37 1/2" (16x86x951)



M21 | WALL BOARD - W4L07315
(x1) | 5/8"x3 3/8"x36 1/8" (16x86x919)



M22 | WALL BOARD - W4L07302
(x6) | 5/8"x3 3/8"x19 5/8" (16x86x500)



M23 | WALL BOARD - W4L07314
(x6) | 5/8"x3 3/8"x18 3/8" (16x86x466)



M77 | SLIDE BRACE - W4L15702
(x1) | 5/8"x3 3/8"x14 1/4" (16x86x362)




M78 | CENTER SLIDE BRACE - W4L15703
(x2) | 5/8"x3 3/8"x14 1/4" (16x86x362)




Wood Components (Not to Scale)



N1 | SAFETY BOARD - W4L07041
(x3) | 5/8"x2 3/8"x35 3/8" (16x60x898)



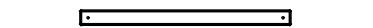
N2 | SAFETY BOARD - W4L07263
(x1) | 5/8"x2 3/8"x37 1/2" (16x60x951)



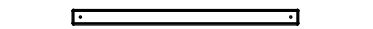
N4 | PICKET - W4L07301
(x9) | 5/8"x2 3/8"x18 3/8" (16x60x466)



N7 | AWNING BOARD - W4L15020
(x1) | 5/8"x2 3/8"x28 5/8" (16x60x726)




O1 | PICKET - W4L07517
(x2) | 5/8"x1 3/8"x18 3/8" (16x34x466)




O2 | PICKET - W4L07056
(x2) | 5/8"x1 3/8"x19 5/8" (16x34x500)



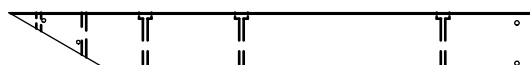
O3 | SAFETY BOARD - W4L07093
(x1) | 5/8"x1 3/8"x35 3/8" (16x34x898)



O4 | AWNING BOARD - W4L07053
(x1) | 5/8"x1 3/8"x26 5/8" (16x34x676)



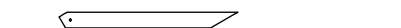
SB1 | SWING BEAM - W4L07244
(x1) | 5 1/4"x2"x46" (134x50x1168)



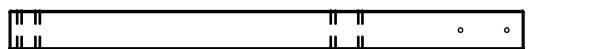
SB2 | SWING BEAM - W4L07243
(x1) | 5 1/4"x2"x46" (134x50x1168)



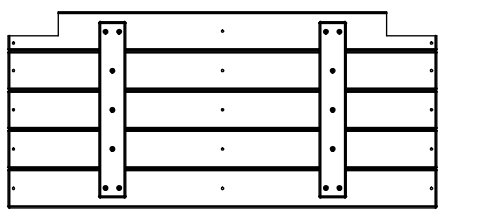
T1 | ATTACHMENT BOARD - W4L07518
(x1) | 1"x1 3/8"x4 3/4" (24x34x120)



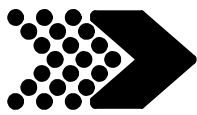
T2 | SAFETY BOARD - W4L12369
(x2) | 1"x1 3/8"x15 1/2" (24x34x394)



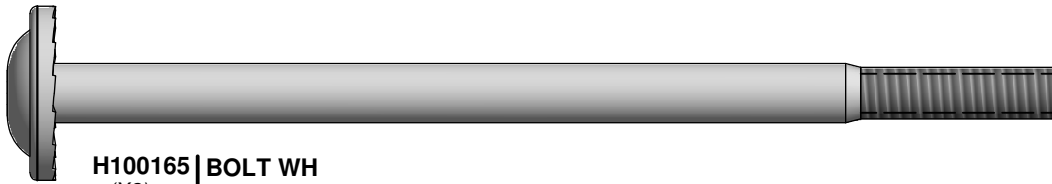
W71 | SWING BEAM SUPPORT - W4L15705
(x1) | 2"x3 3/8"x44 3/4" (50x86x1136)



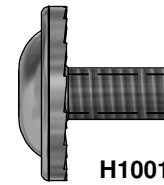
FP1 | FLOOR PANEL - W2A02023
(x2) | 1 1/4"x17"x37 1/4" (32x432x946)



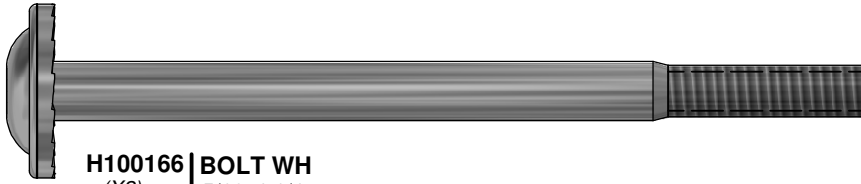
Hardware Components



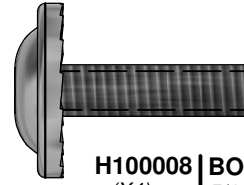
H100165 | BOLT WH
(X2) | 5/16x5 1/4



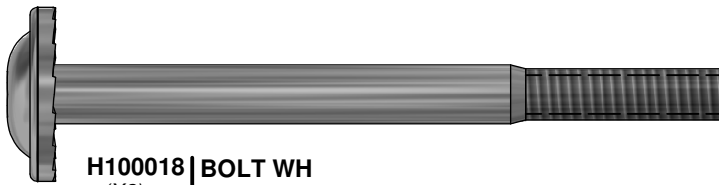
H100115 | BOLT WH
(X24) | 5/16x1/2



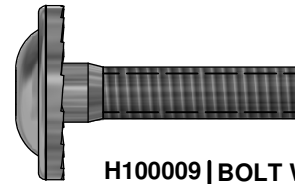
H100166 | BOLT WH
(X2) | 5/16x4-1/4



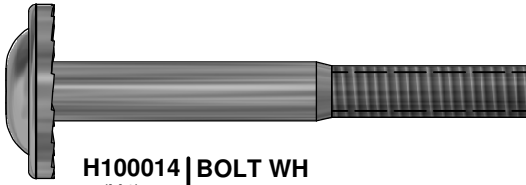
H100008 | BOLT WH
(X4) | 5/16x1



H100018 | BOLT WH
(X2) | 5/16x3 1/2



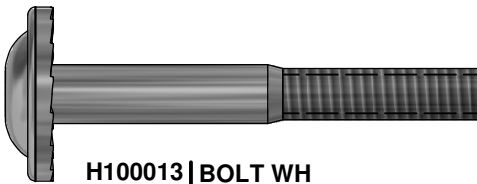
H100009 | BOLT WH
(X18) | 5/16x1 1/4



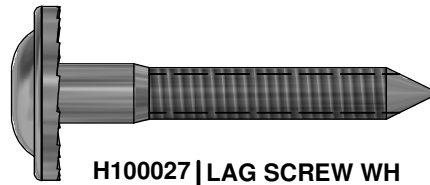
H100014 | BOLT WH
(X4) | 5/16x2 1/2



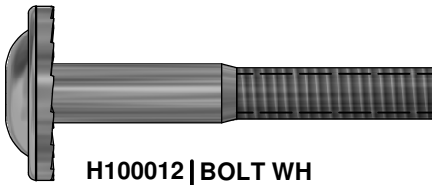
H100028 | LAG SCREW WH
(X7) | 5/16x2 1/2



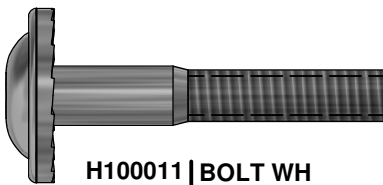
H100013 | BOLT WH
(X22) | 5/16x2 1/4



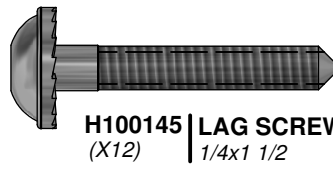
H100027 | LAG SCREW WH
(X19) | 5/16x2



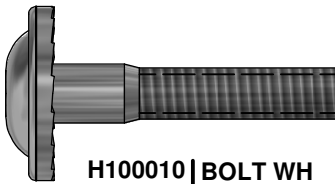
H100012 | BOLT WH
(X28) | 5/16x2



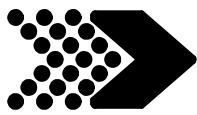
H100011 | BOLT WH
(X25) | 5/16x1 3/4



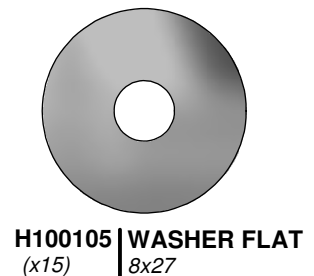
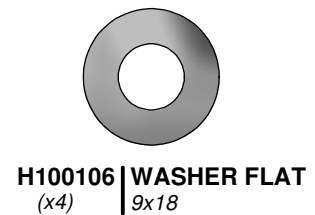
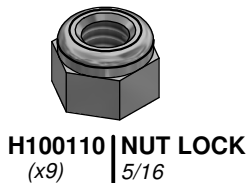
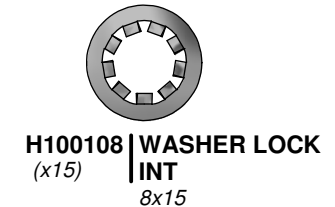
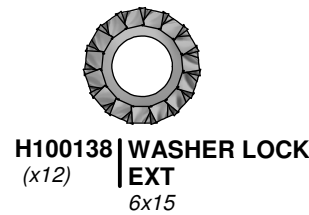
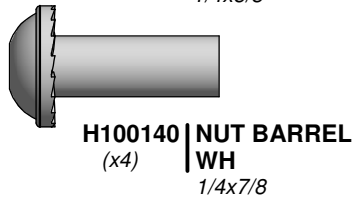
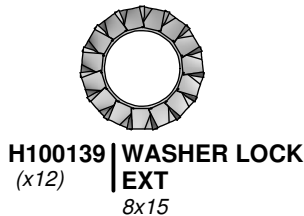
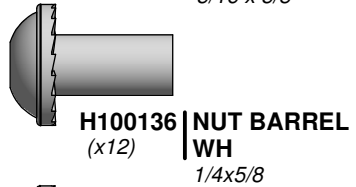
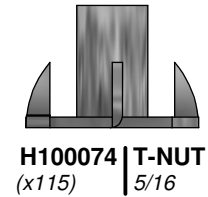
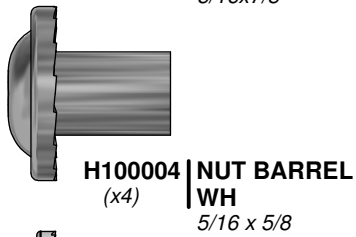
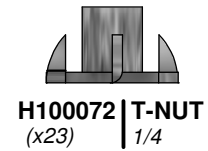
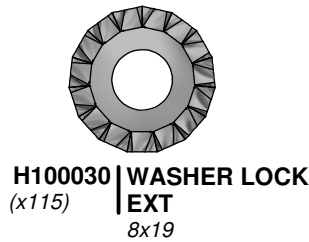
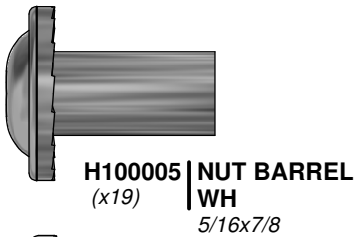
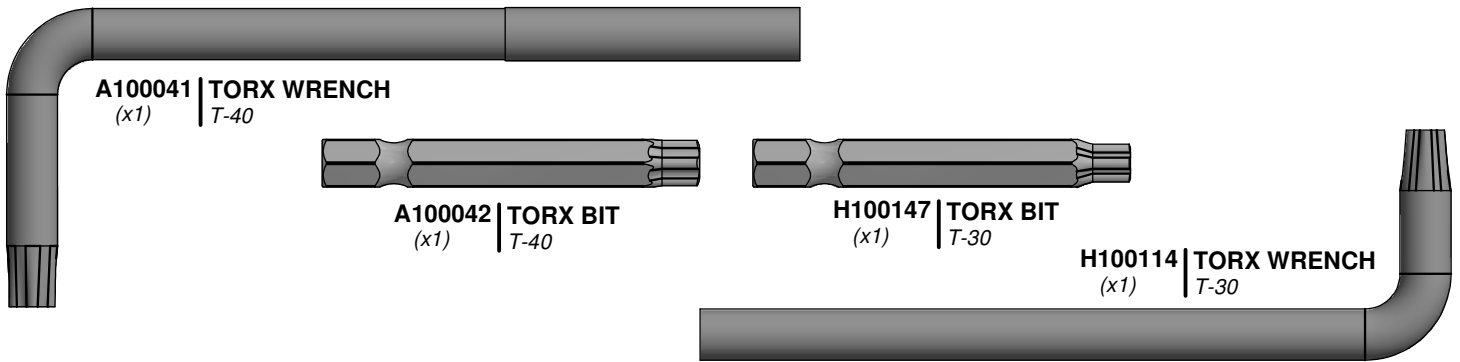
H100145 | LAG SCREW WH
(X12) | 1/4x1 1/2

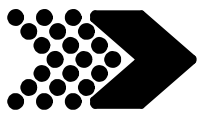


H100010 | BOLT WH
(X10) | 5/16x1-1/2



Hardware Components





Hardware Components



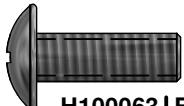
H100047 | BOLT HEX
(x2) | 5/16x2 3/4



H100042 | BOLT HEX
(x4) | 5/16x1 1/4



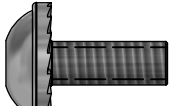
H100062 | BOLT PTH
(x2) | 1/4x1 1/4



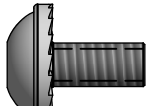
H100063 | BOLT PTH
(x11) | 1/4x3/4



H100143 | BOLT WH
(x4) | 1/4x1-1/2



H100490 | BOLT WH
(x18) | 1/4x5/8



H100141 | BOLT WH
(x4) | 1/4 x 1/2"



H100081 | SCREW TAPPING
(x2) | 14x2



H100207 | SCREW PWH
(x4) | 8x1 1/2



H100128 | SCREW PWH
(x15) | 8x5/8



H100090 | SCREW PFH
(x33) | 8x2 1/2"



H100111 | SCREW PFH
(x4) | 8x2



H100089 | SCREW PFH
(x9) | 8x1 3/4



H100086 | SCREW PFH
(x46) | 8x1 1/2



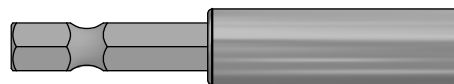
H100087 | SCREW PFH
(x29) | 8x1 1/4



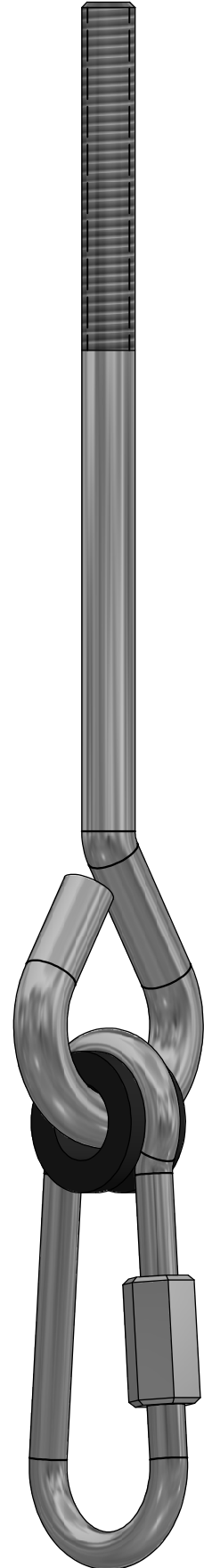
H100088 | SCREW PFH
(x64) | 8x1 1/8



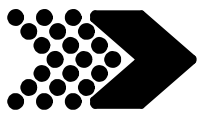
H100764 | SCREW SETTER
(x1)



H101100 | MAGNETIC DRIVER
(x1)



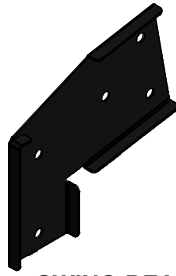
H100099 | SWING HANGER
(x6) | 5/16x9 1/2



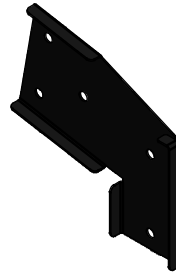
Accessory Components (Not to Scale)



A100078 | CLOCK
(x1)



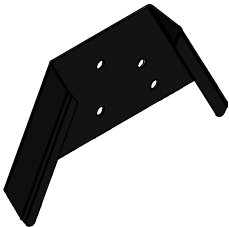
A4M00511 | SWING BEAM
EXT. BRACKET
BLUE - LEFT
(x1)



A4M00512 | SWING BEAM
EXT BRACKET
BLUE - RIGHT
(x1)



A100158 | L BRACKET
(x2) | 54x67



A4M01174 | A-FRAME BRACKET
(x1)



A100153 | L BRACKET
(x2) | 66x66x127 BLUE



A4M00555 | 90° L-BRACKET -
(x10) | BLK



A4M00696 | SWING BEAM JOINT BRACKET BLUE
(x1)



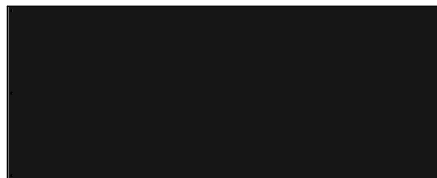
A6P00040 | BLUE HC ROCK
(x3) | #2



A6P00041 | BLUE HC ROCK
(x2) | #1



A6P00314 | HAND GRIP
(x2) | BLUE PLASTIC



A6P00497 | FORT TARP
(x1)



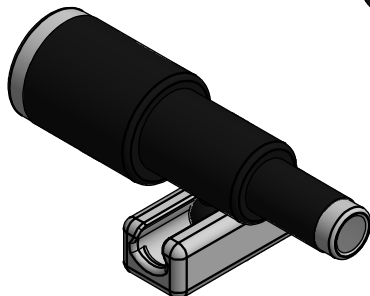
A6P00498 | TARP AWNING
(x1)



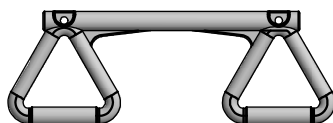
A6P00133 | SWING SEAT
(x2) | BLUE 22"



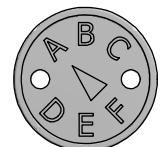
A4M00938 | METAL
(x2) | L-BRACKET -
BLUE



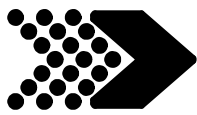
A6P00499 | TELESCOPE
(x1)



A6P00034 | TRAPEZE YELLOW
(x1)



A100314 | "A" REVISION TAG
(x1)



Accessory Components (Not to Scale)



A6P00176 | SLIDE RAIL TOP LEFT
(x1)



A6P00178 | SLIDE RAIL TOP RIGHT
(x1)



A6P00179 | SLIDE RAIL BOTTOM RIGHT
(x1)



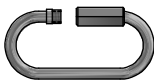
A6P00177 | SLIDE RAIL BOTTOM LEFT
(x1)



A4M00524 | CHAIN BLUE
(x4) | 51.25"



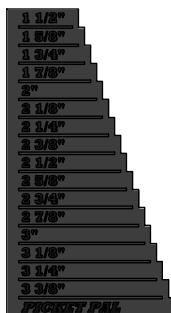
A4M00525 | CHAIN BLUE 31"
(x2)



A100069 | QUICK LINK
(x6)



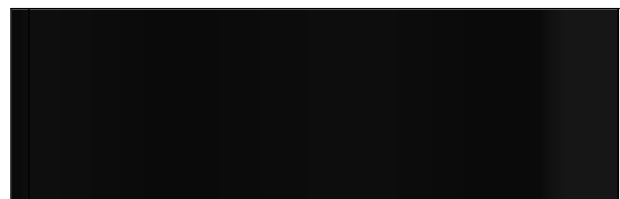
A4M00704 | CHALKBOARD
(x1)



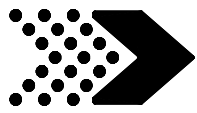
A6P00410 | PICKET PAL
(x1)



A4M00527 | GROUND STAKE
(x7) | REBAR



A6P00358 | SLIDE BED 8' BLUE
(x1)

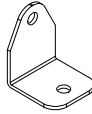


BENCH ASSEMBLY

STEP 1



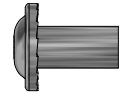
H7 | BENCH GROUND BOARD - W4L07282
(x2) | 1"x3 3/8"x16 7/8" (24x86x430)



A100158 | L BRACKET 54x67
(x2)



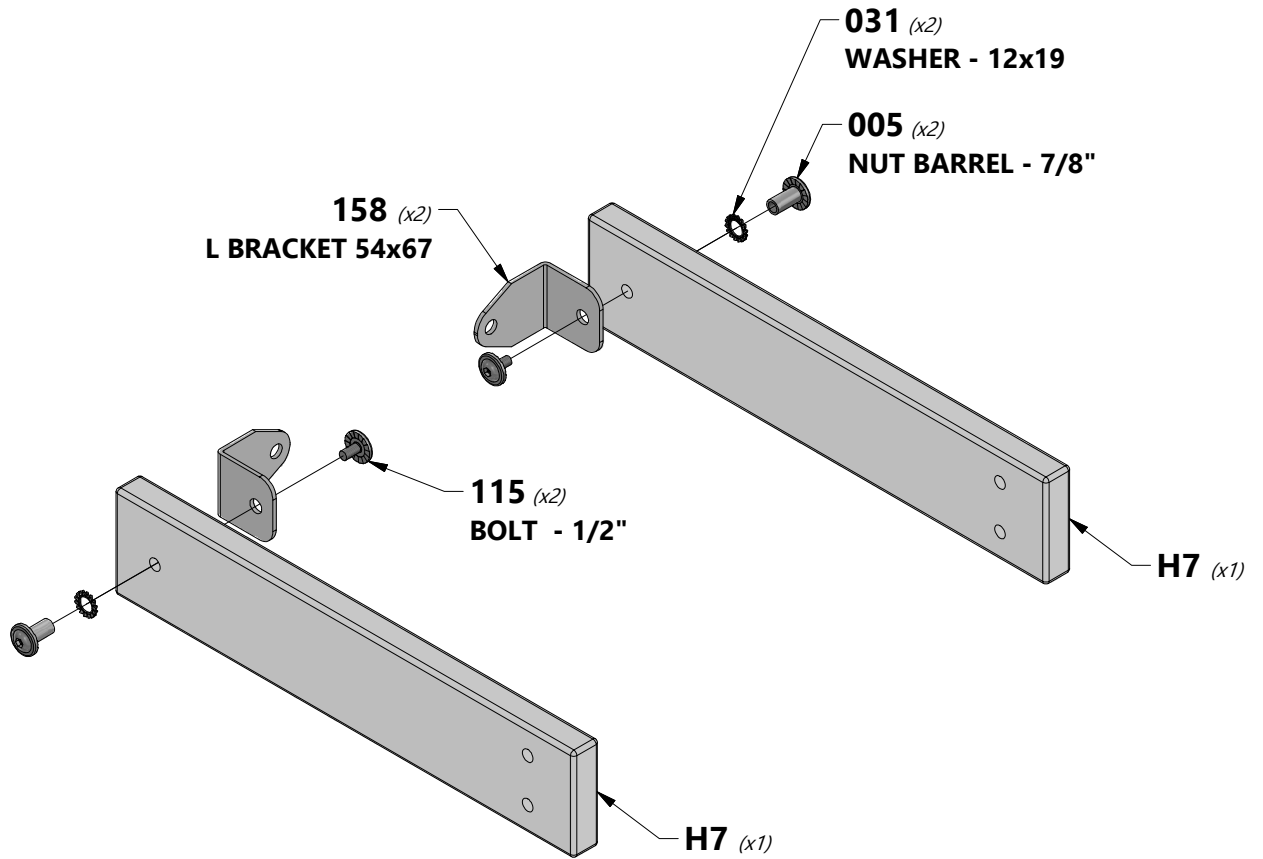
H100115 | BOLT WH
(x2) | 5/16x1/2

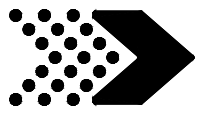


H100005 | NUT BARREL
(x2) | WH
5/16x7/8



H100031 | WASHER LOCK
(x2) | EXT
12x19





BENCH ASSEMBLY

STEP 2



H8 | BENCH UPRIGHT - W4L07284
(x2) | 1"x3 3/8"x11 3/4" (24x86x300)



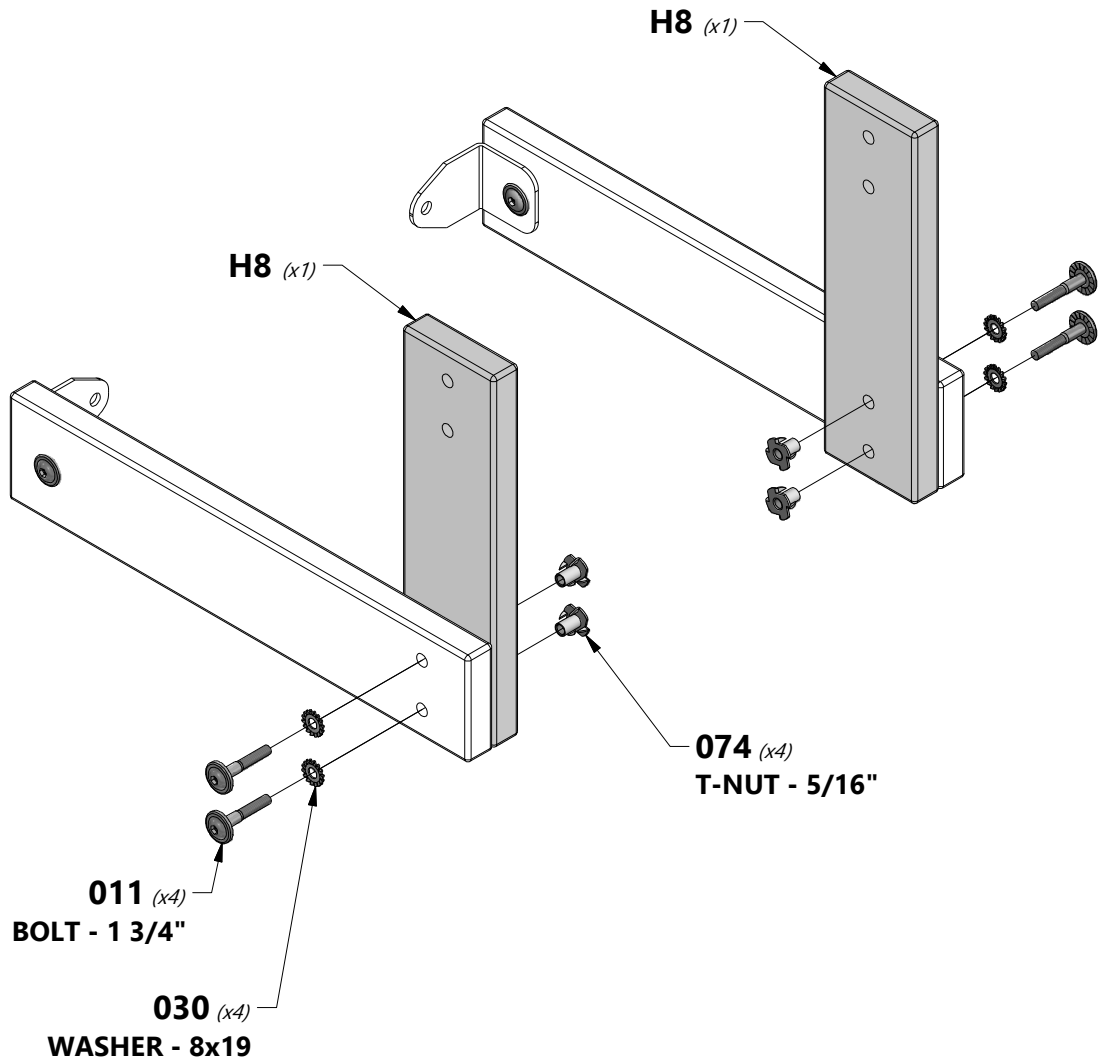
H100011 | BOLT WH
(x4) | 5/16x1 3/4

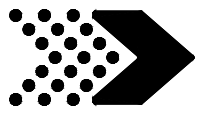


H100074 | T-NUT
(x4) | 5/16



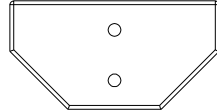
H100030 | WASHER LOCK
(x4) | EXT
8x19





BENCH ASSEMBLY

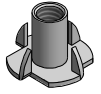
STEP 3



H9 | BENCH SEAT SUPPORT - W4L07283
(x2) | 1"x3 3/8"x6 1/2" (24x86x166)



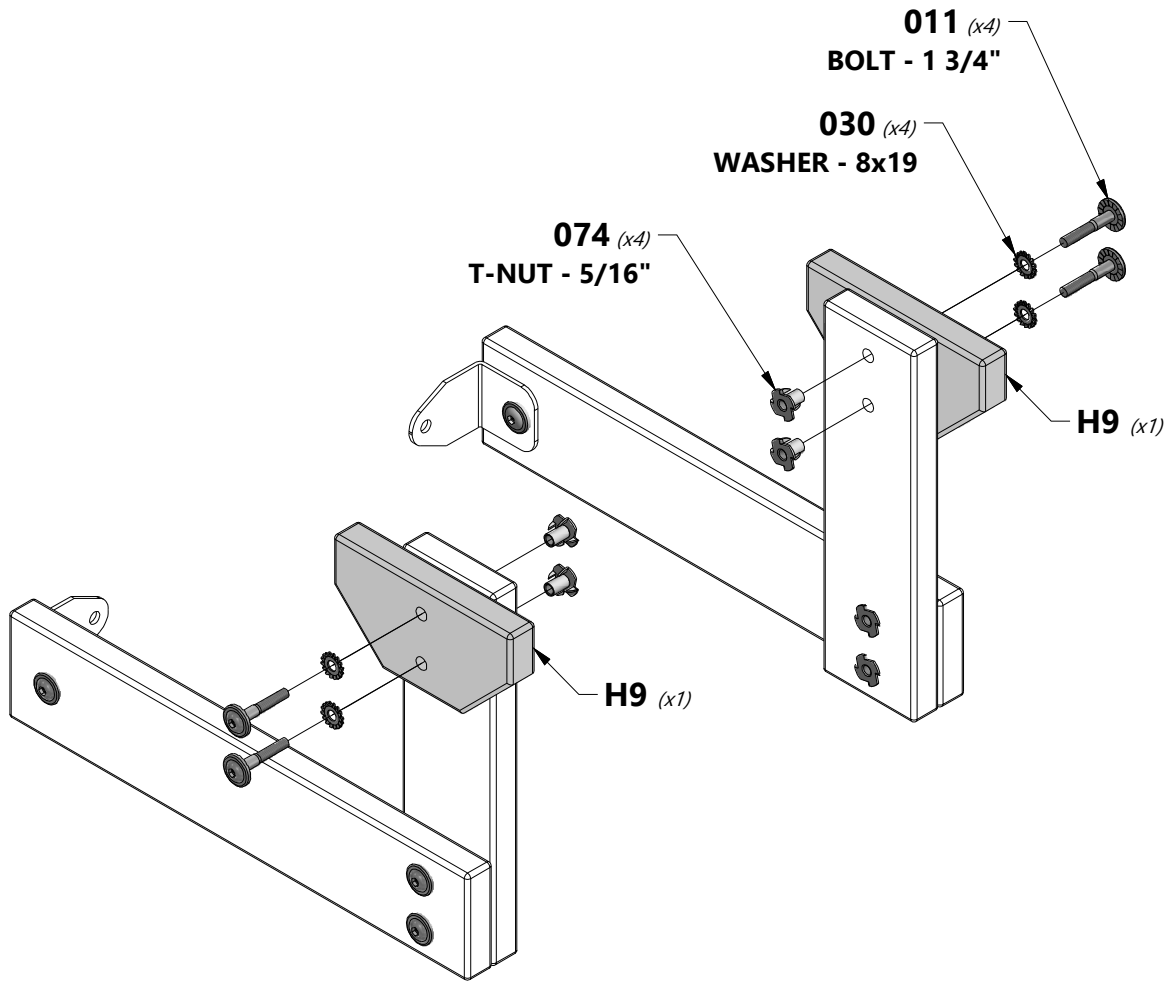
H100011 | BOLT WH
(x4) | 5/16x1 3/4

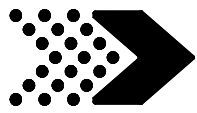


H100074 | T-NUT
(x4) | 5/16



H100030 | WASHER LOCK
(x4) | EXT
8x19





BENCH ASSEMBLY

STEP 4



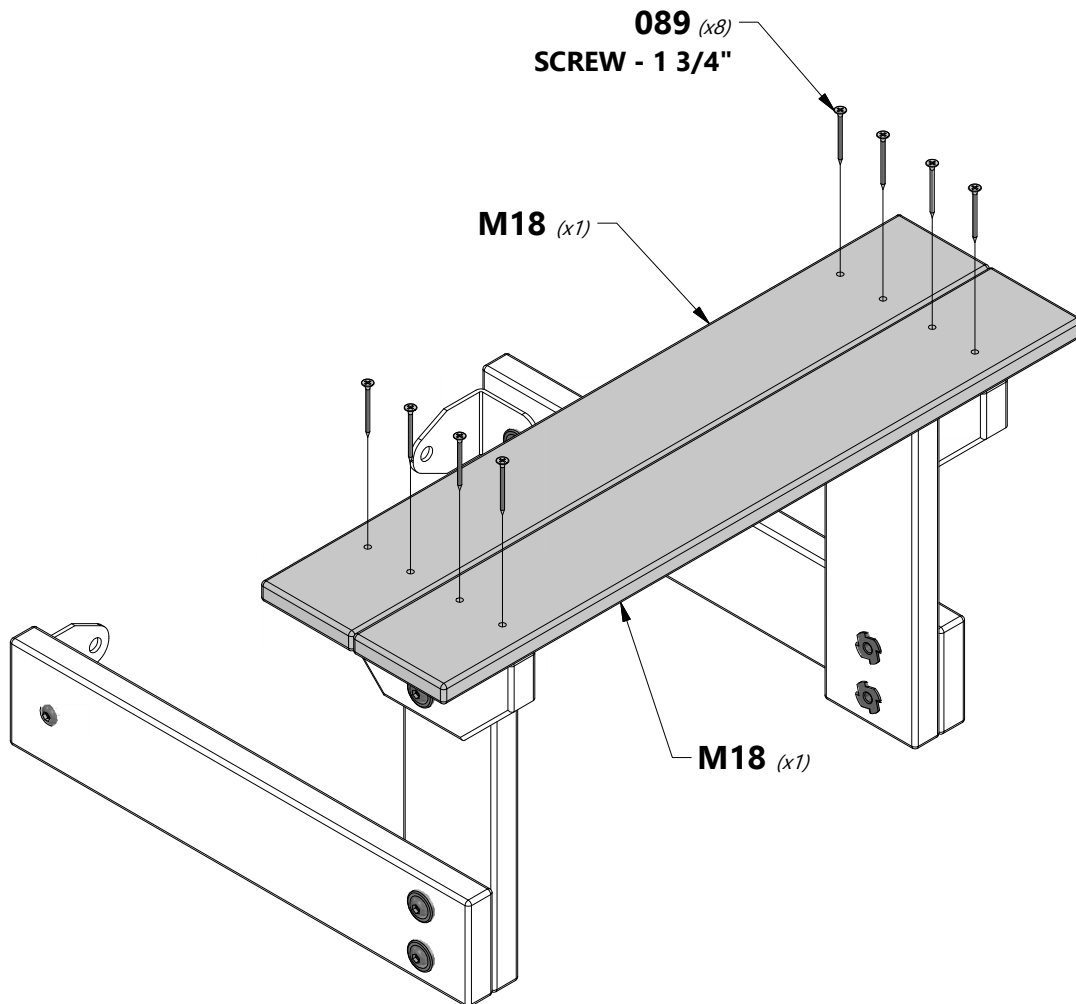
M18 | BENCH SEAT - W4L07098
(x2) | 5/8"x3 3/8"x23 1/2" (16x86x598)

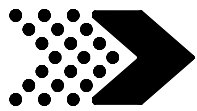


H100089 | SCREW PFH
(x8) | 8x1 3/4



TIP:
PRE-DRILL H09 USING A 1/8" DRILL BIT AND M18 AS THE TEMPLATE, CENTER AND PRE-DRILL PILOT HOLES ON H09 BOARDS.



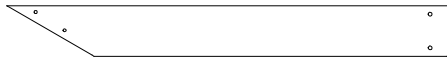


SWING BEAM ASSEMBLY

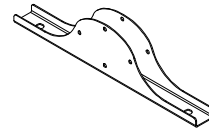
STEP 1



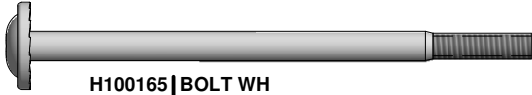
SB1 | SWING BEAM - W4L07244
(x1) | 5 1/4"x2"x46" (134x50x1168)



SB2 | SWING BEAM - W4L07243
(x1) | 5 1/4"x2"x46" (134x50x1168)



A4M00696 | SWING BEAM JOINT BRACKET
(x1) | BLUE



H100165 | BOLT WH
(x2) | 5/16x5 1/4



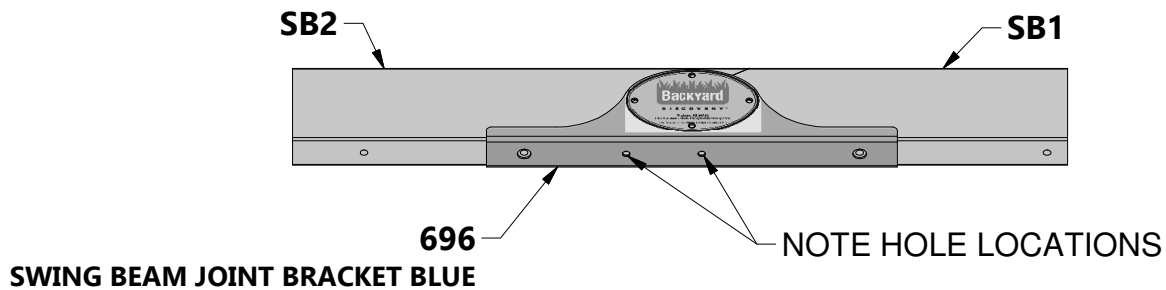
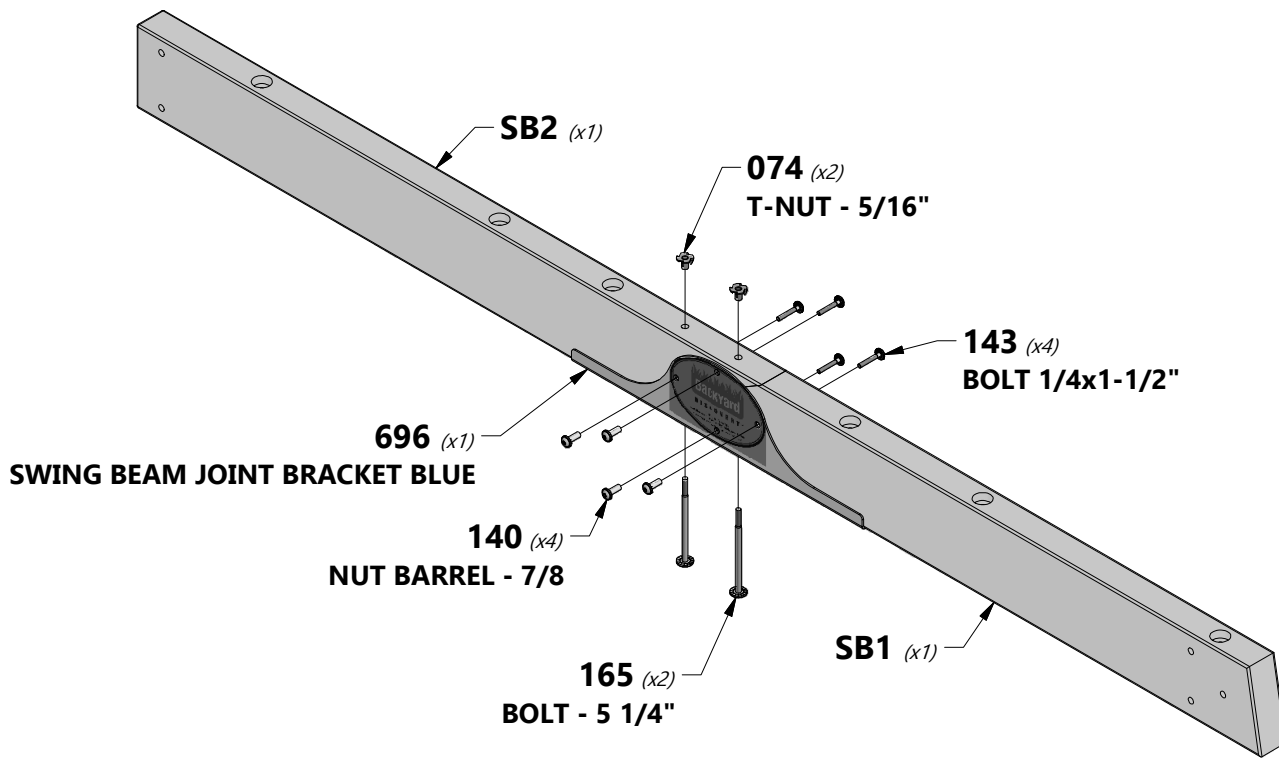
H100074 | T-NUT
(x2) | 5/16



H100143 | BOLT WH
(x4) | 1/4x1-1/2



H100140 | NUT BARREL WH
(x4) | 1/4x7/8

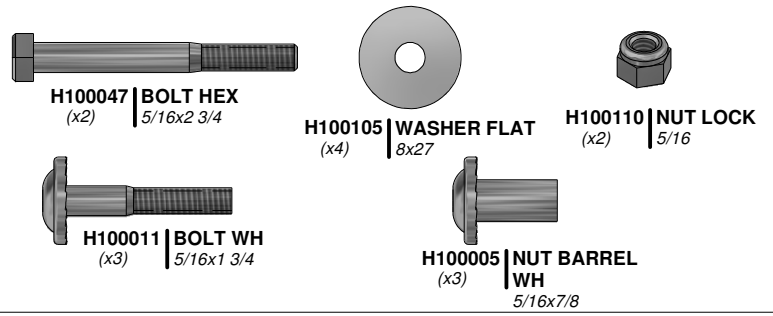
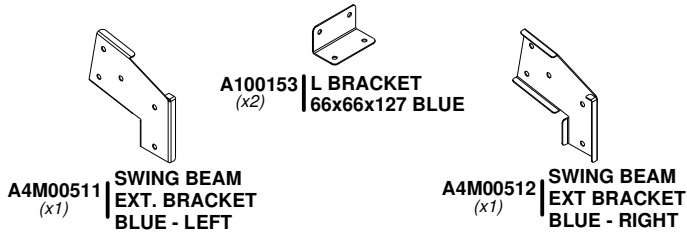



BRACKET ORIENTATION

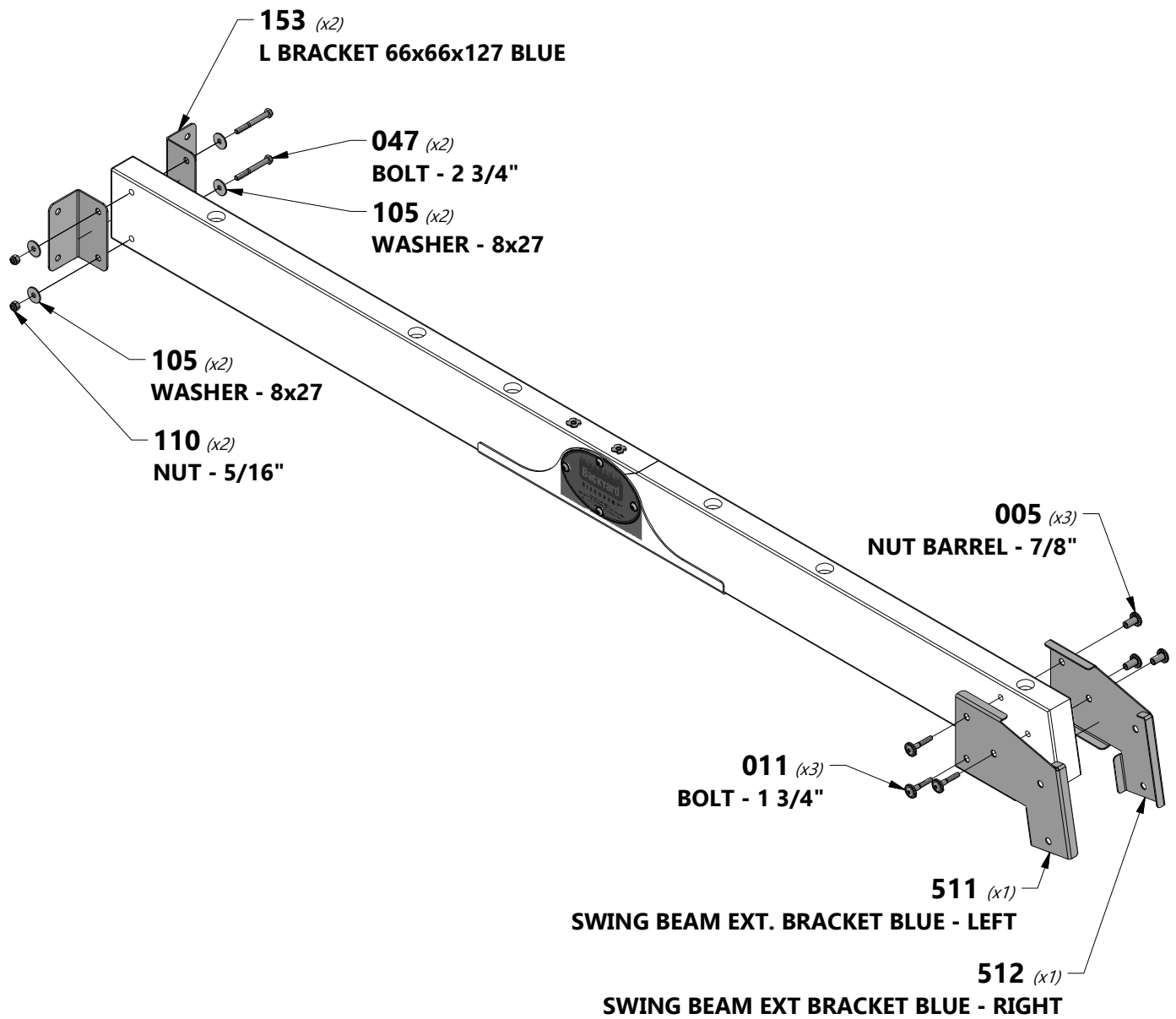


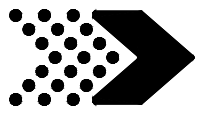
SWING BEAM ASSEMBLY

STEP 2



 **TIP:**
HAND TIGHTEN 011 & 005
AT THIS TIME





SWING BEAM ASSEMBLY

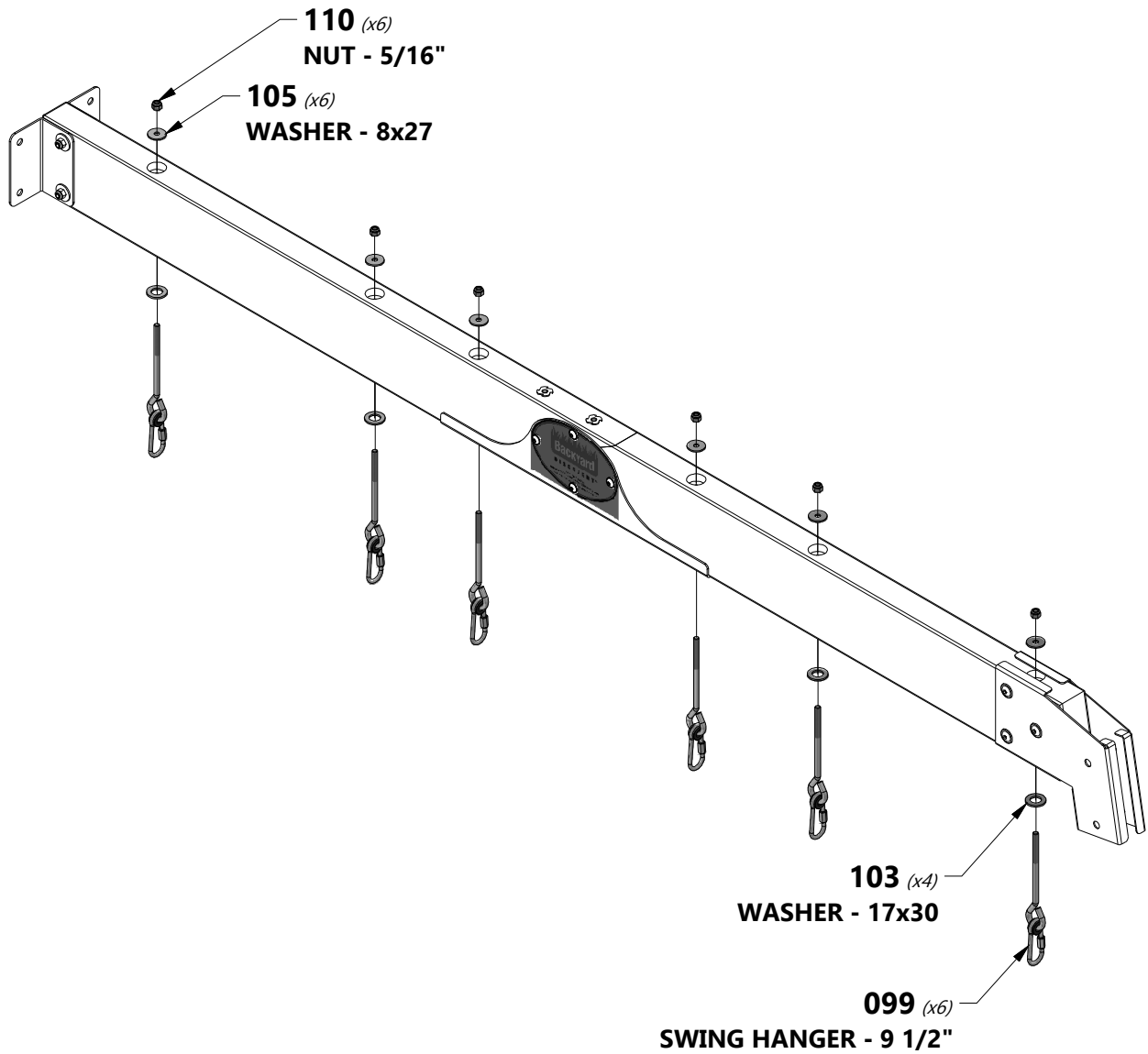
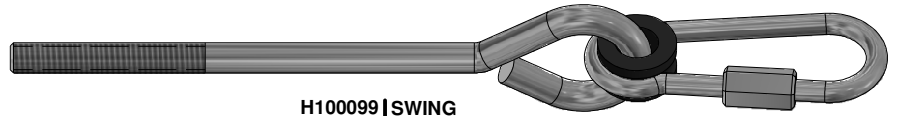
STEP 3

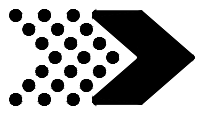
H100110 | **NUT LOCK**
(x6) | 5/16

H100105 | **WASHER FLAT**
(x6) | 8x27

H100103 | **WASHER SAFETY**
(x4) | 17x30

H100099 | **SWING HANGER**
(x6) | 5/16x9 1/2





SWING BEAM ASSEMBLY

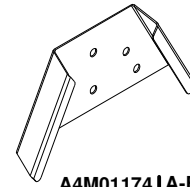
STEP 4



E78 | ANGLE BRACE - W4L15708
(x2) | 1 3/8"x3 3/8"x36 7/8" (36x86x936)



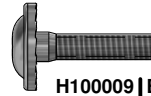
W71 | SWING BEAM SUPPORT - W4L15705
(x1) | 2"x3 3/8"x44 3/4" (50x86x1136)



A4M01174 | A-FRAME BRACKET
(x1)



H100018 | BOLT WH
(x2) | 5/16x3 1/2



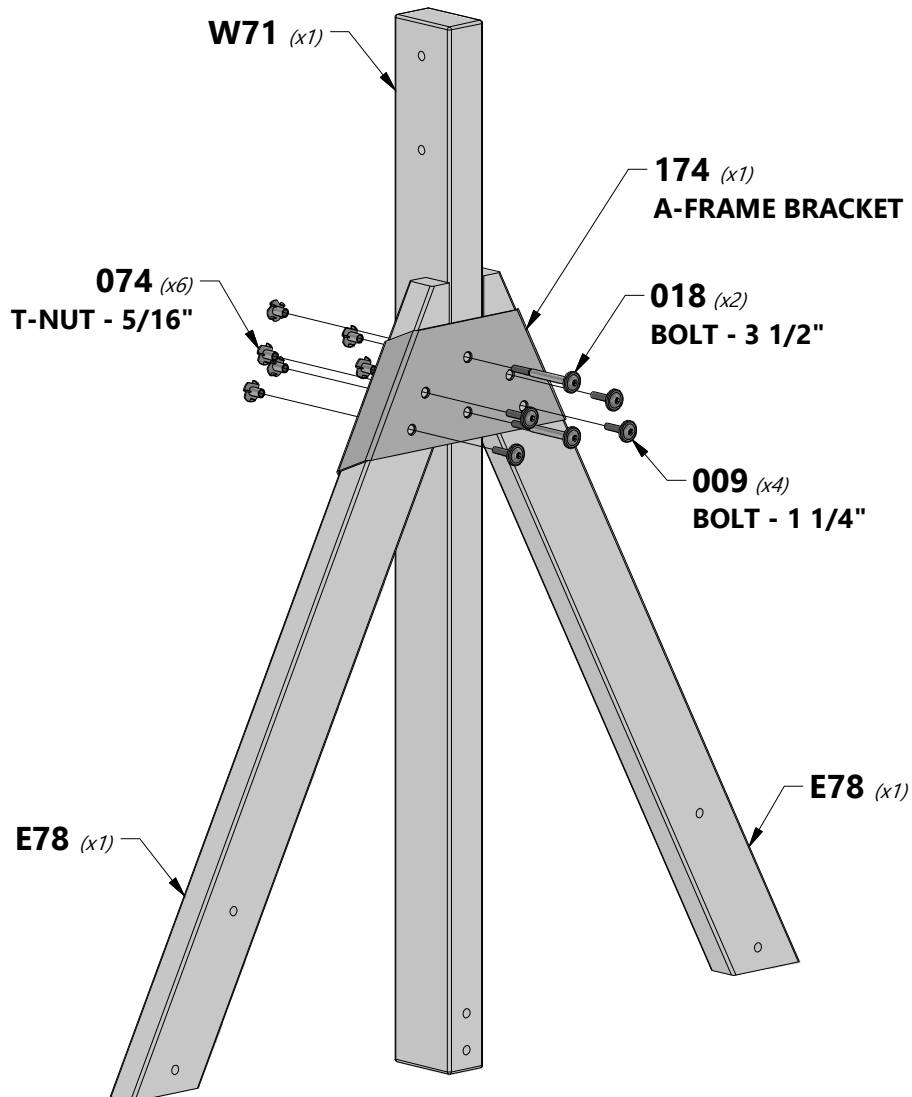
H100009 | BOLT WH
(x4) | 5/16x1 1/4

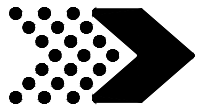


H100074 | T-NUT
(x6) | 5/16



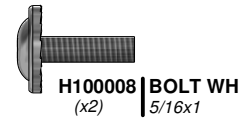
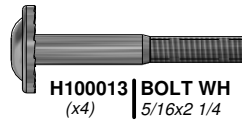
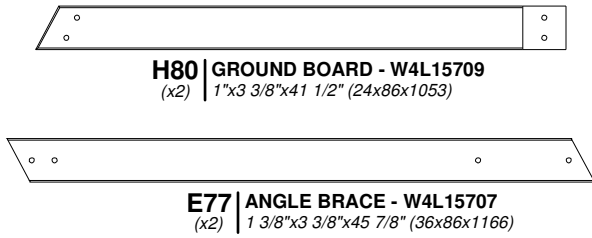
TIP:
HAND TIGHTEN HARDWARE



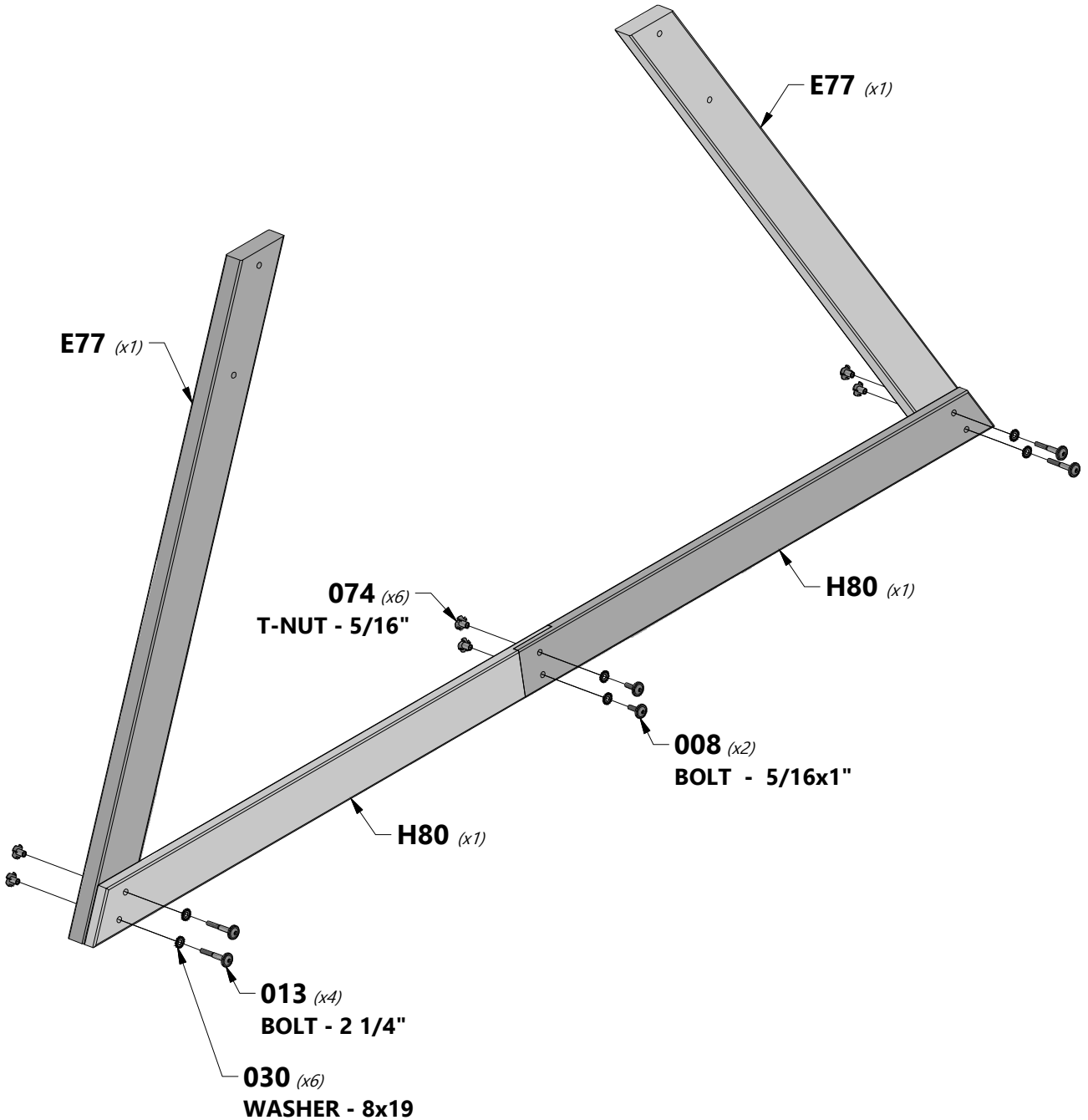


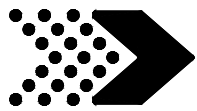
SWING BEAM ASSEMBLY

STEP 5



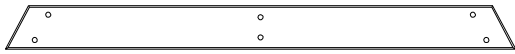
TIP:
HAND TIGHTEN HARDWARE



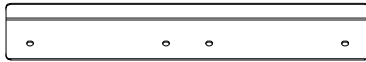


SWING BEAM ASSEMBLY

STEP 6



H79 | END SUPPORT - W4L15706
(x1) | 1"x3 1/2"x40" (24x86x1013)



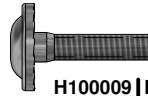
A4M00938 | METAL
(x2) | L-BRACKET -
BLUE



H100166 | BOLT WH
(x2) | 5/16x4-1/4



H100013 | BOLT WH
(x4) | 5/16x2 1/4



H100009 | BOLT WH
(x4) | 5/16x1 1/4



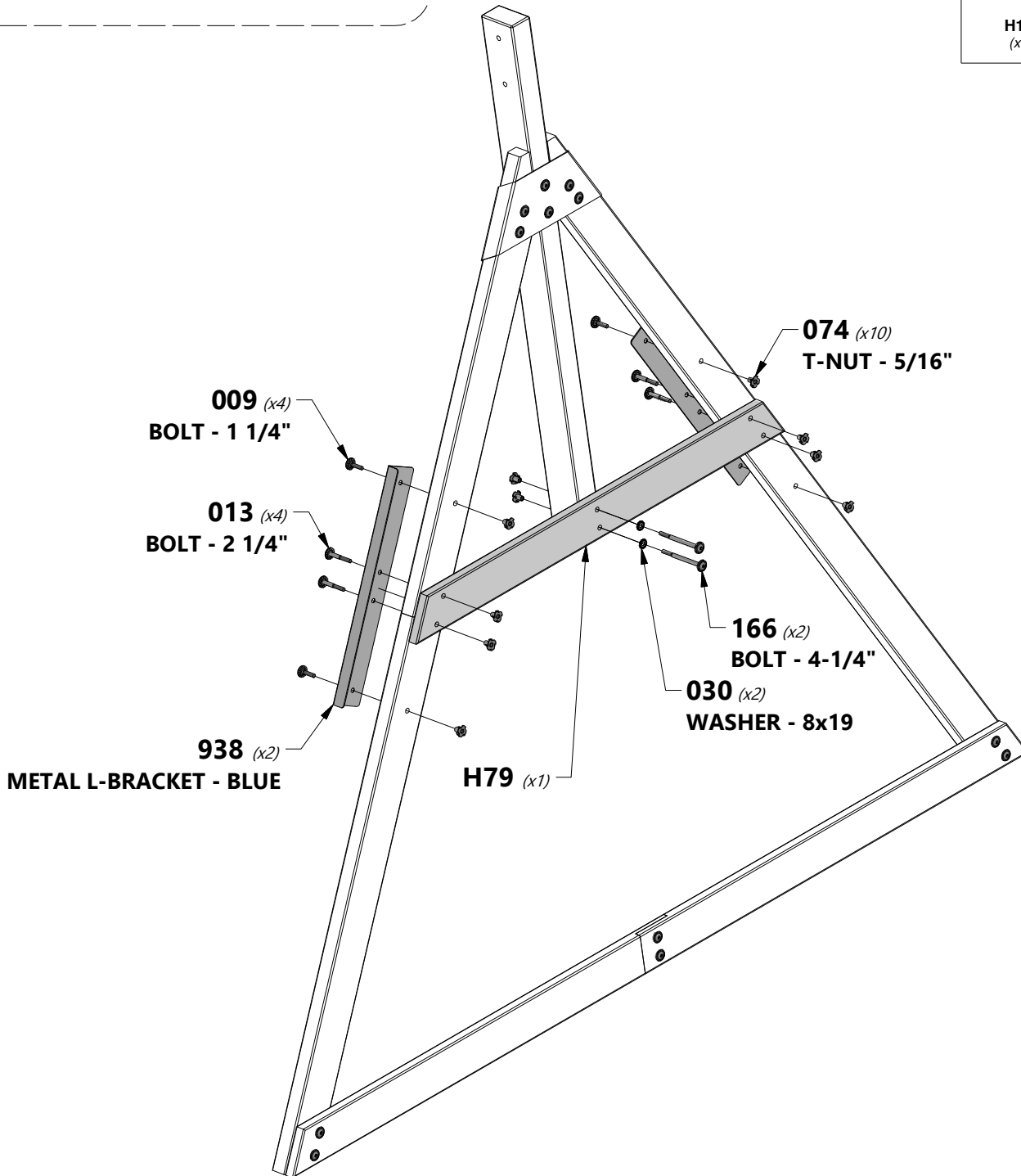
H100030 | WASHER LOCK
(x2) | EXT
8x19



H100074 | T-NUT
(x10) | 5/16



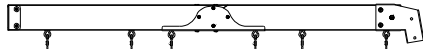
NOTE:
FULLY TIGHTEN HARDWARE NOW



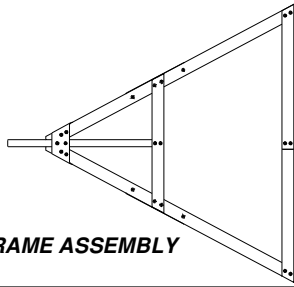


SWING BEAM ASSEMBLY

STEP 7



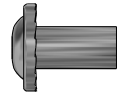
(x1) SWING BEAM ASSEMBLY



(x1) A-FRAME ASSEMBLY

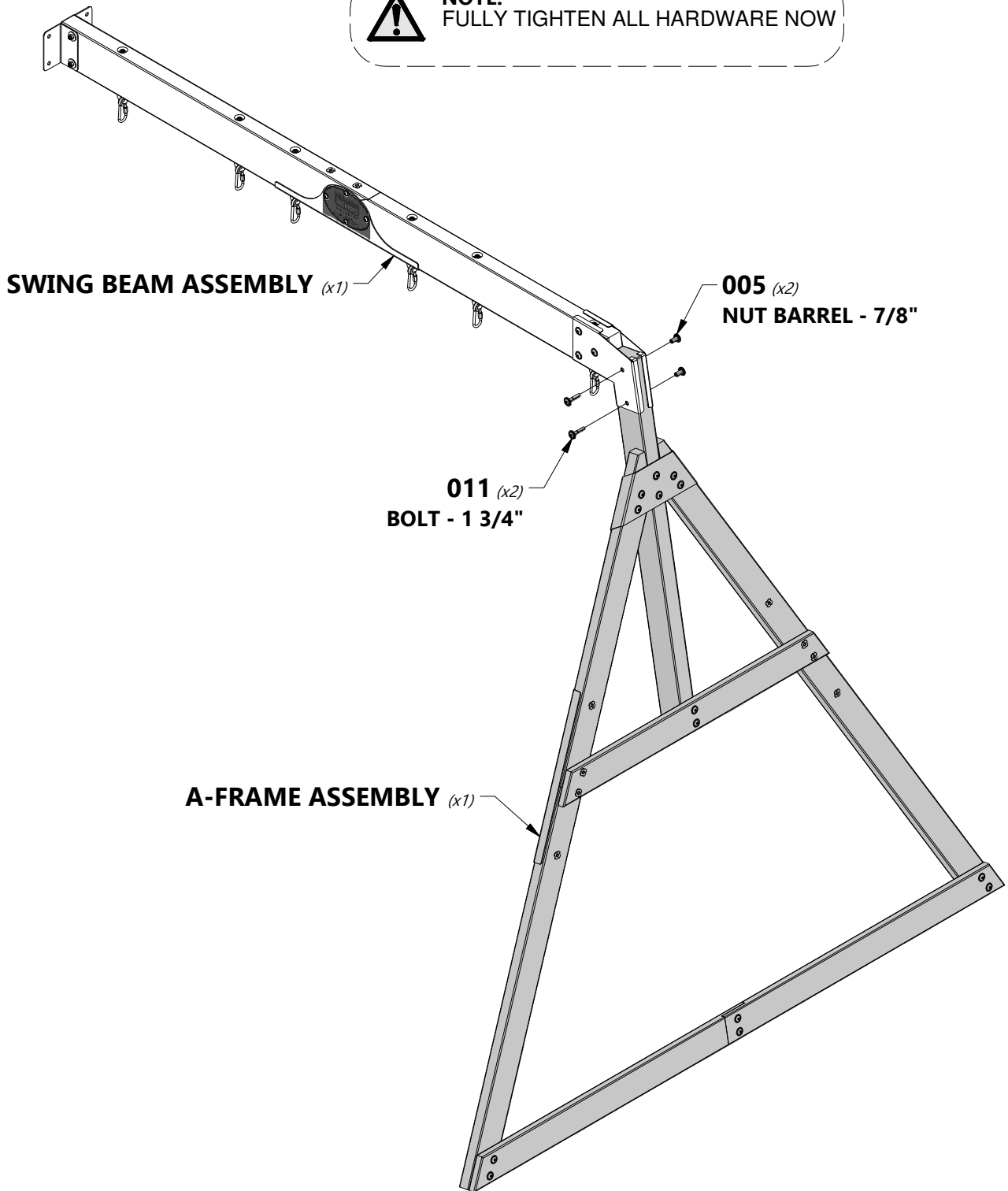


H100011 | BOLT WH
(x2) | 5/16x1 3/4



H100005 | NUT BARREL
(x2) | WH
5/16x7/8

 **NOTE:**
FULLY TIGHTEN ALL HARDWARE NOW



SWING BEAM ASSEMBLY (x1)

005 (x2)
NUT BARREL - 7/8"

011 (x2)
BOLT - 1 3/4"

A-FRAME ASSEMBLY (x1)



SLIDE ASSEMBLY

STEP 1



A6P00358 | SLIDE BED BLUE
(x1)



M77 | SLIDE BRACE - W4L15702
(x1) 5/8"x3 3/8"x14 1/4" (16x86x362)



H100074 | T-NUT
(x2) 5/16"



H100115 | BOLT WH
(x2) 5/16x1/2"



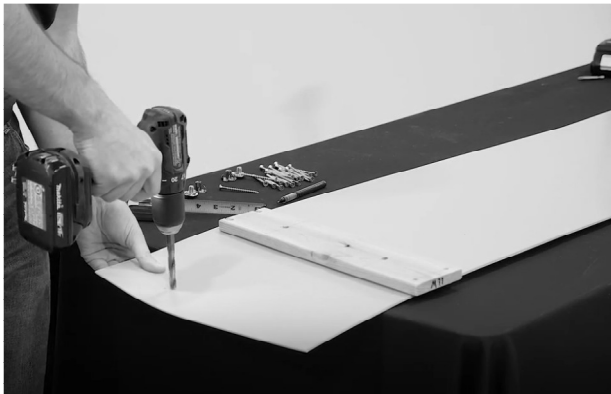
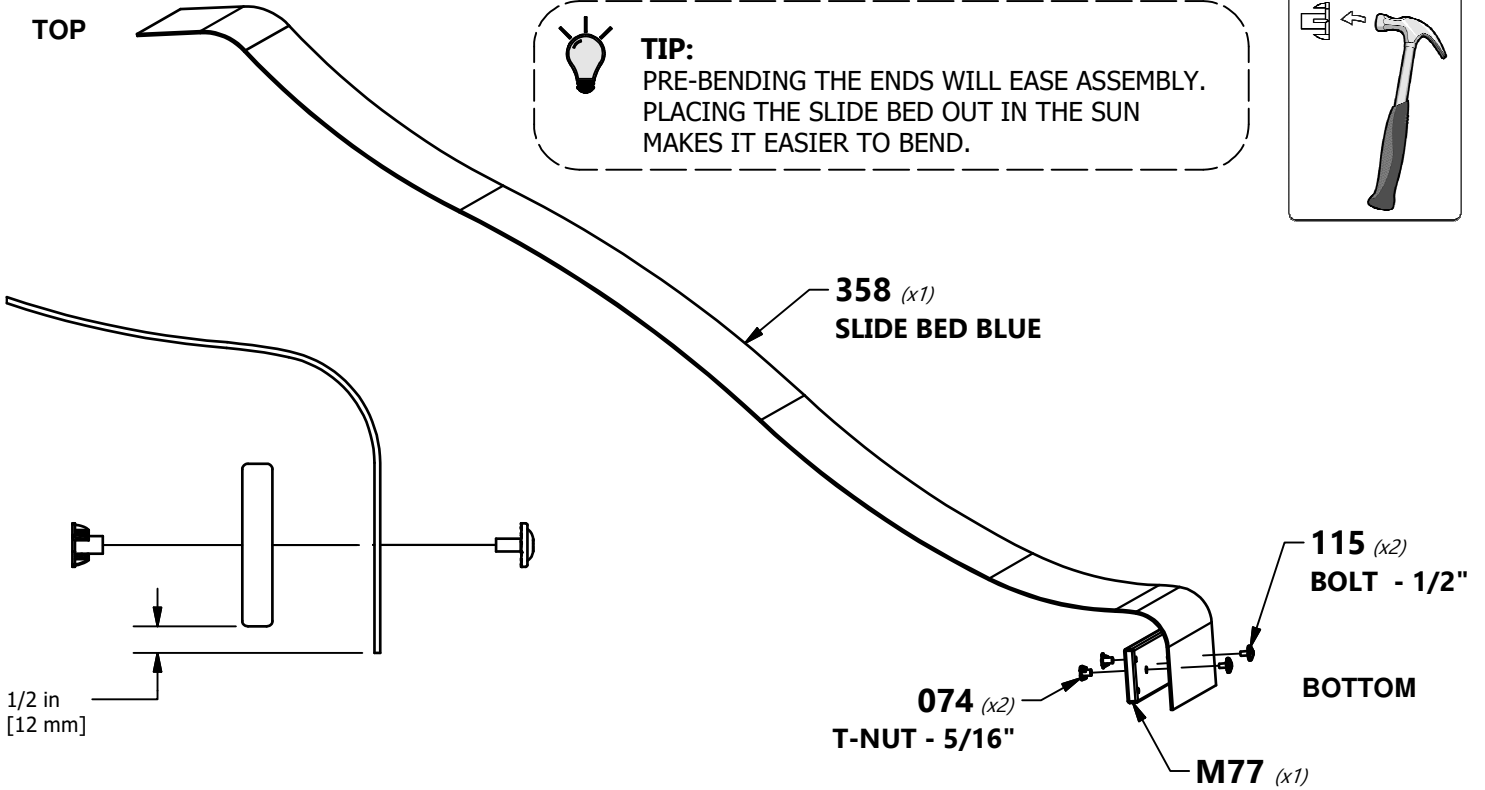
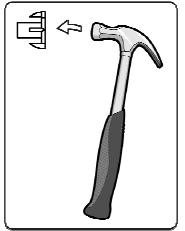
NOTE:

TAKE NOTE OF SLIDE BED SURFACE FINISH, THE DULL SIDE WILL BE TOWARDS THE GROUND. PLACE SLIDE BRACE CENTERED ON THE BOTTOM (DULL SIDE) AND 1/2" FROM THE EDGE. USE **M77** BOARD AS A TEMPLATE FOR DRILLING BOTTOM HOLE PATTERN IN SLIDE BED. USE A 5/16" DRILL BIT.



TIP:

PRE-BENDING THE ENDS WILL EASE ASSEMBLY. PLACING THE SLIDE BED OUT IN THE SUN MAKES IT EASIER TO BEND.





SLIDE ASSEMBLY

STEP 2



A6P00176 | SLIDE RAIL TOP LEFT
(x1)



A6P00177 | SLIDE RAIL BOTTOM LEFT
(x1)



A6P00179 | SLIDE RAIL BOTTOM RIGHT
(x1)



A6P00178 | SLIDE RAIL TOP RIGHT
(x1)



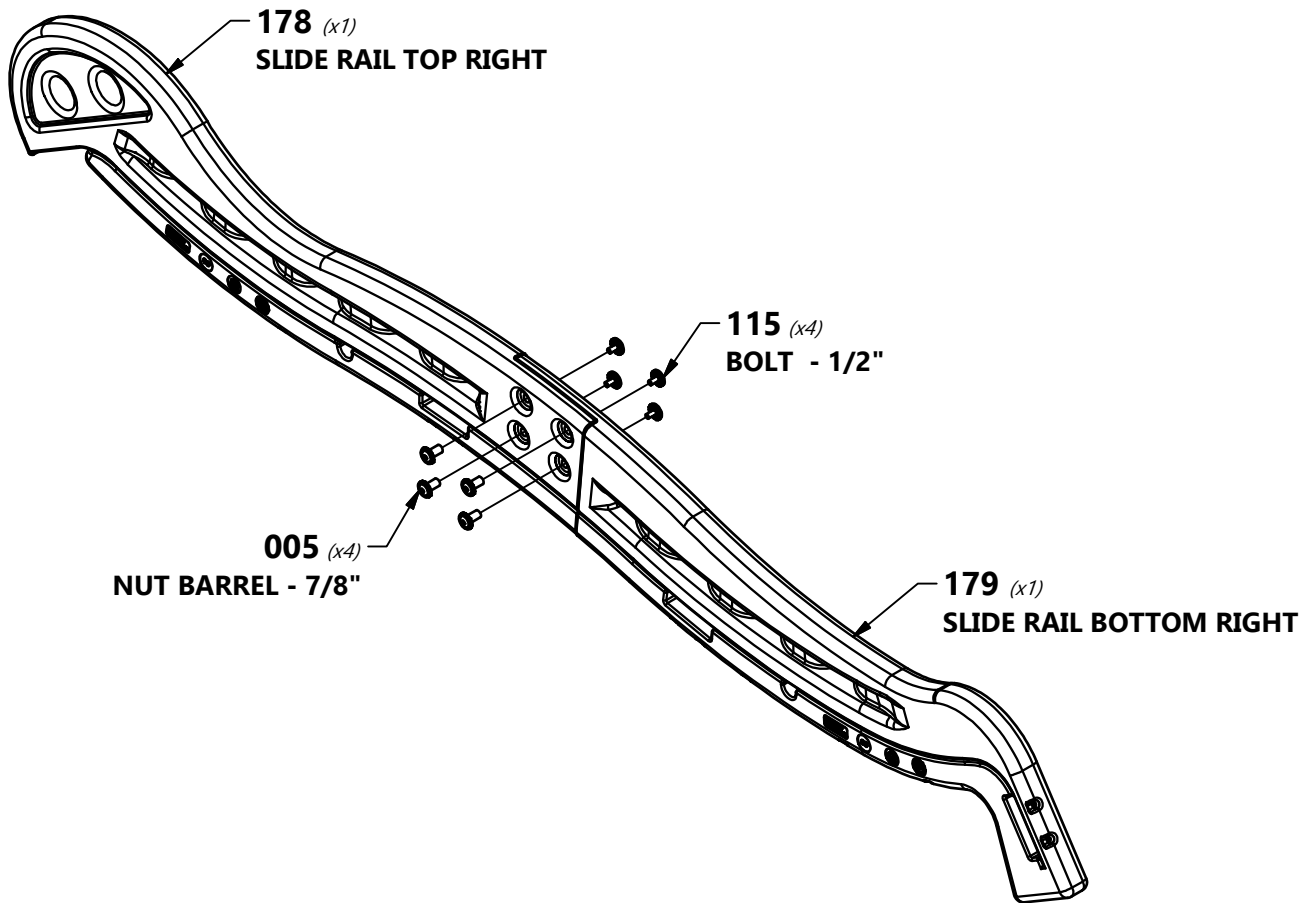
H100005 | NUT BARREL WH
(x8) | 5/16x7/8



H100115 | BOLT WH
(x8) | 5/16x1/2



NOTE:
REPEAT ON OTHER SIDE, MAKING
A LEFT AND RIGHT ASSEMBLY.





M78 | CENTER SLIDE BRACE - W4L15703
(x2) | 5/8"x3 3/8"x14 1/4" (16x86x362)



NOTE:

PLACE (1) SLIDE RAIL ASSEMBLY ON A FLAT SURFACE AND BEGIN INSERTING SLIDE BED AT THE BOTTOM OF THE SLIDE RAIL (FIGURE 1). HAVE A HELPER BEND THE SLIDE BED TOWARDS THE TOP OF THE SLIDE AND INSERT THE BED INTO THE SLIDE CAVITY. MAKE SURE SLIDE BED IS COMPLETELY DOWN IN THE SLIDE CAVITY.

INSERT THE (2) **M78** CENTER SLIDE BRACES INTO THEIR RESPECTIVE PILOT LOCATIONS (FIGURE 2).



TIP:

A HELPER IS RECOMMENDED FOR THESE FOLLOWING STEPS.

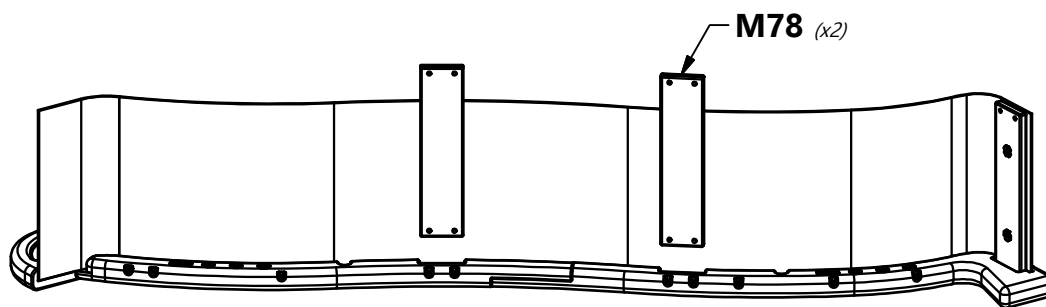
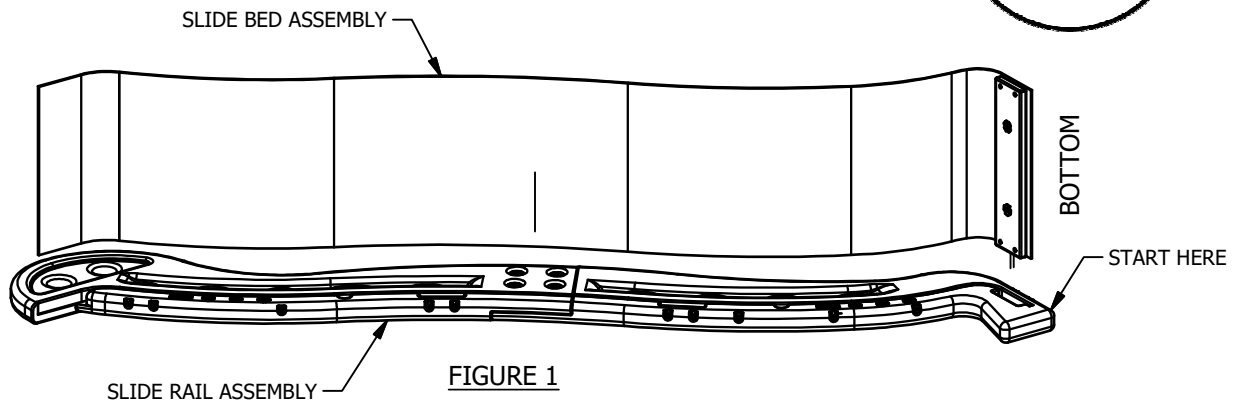
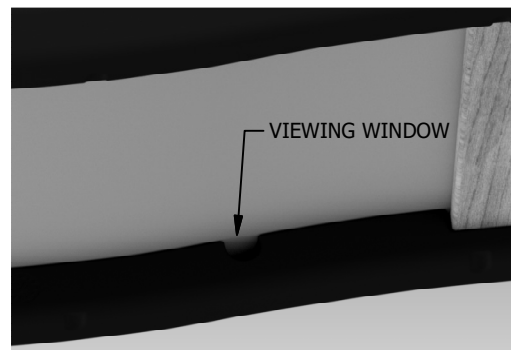


FIGURE 2



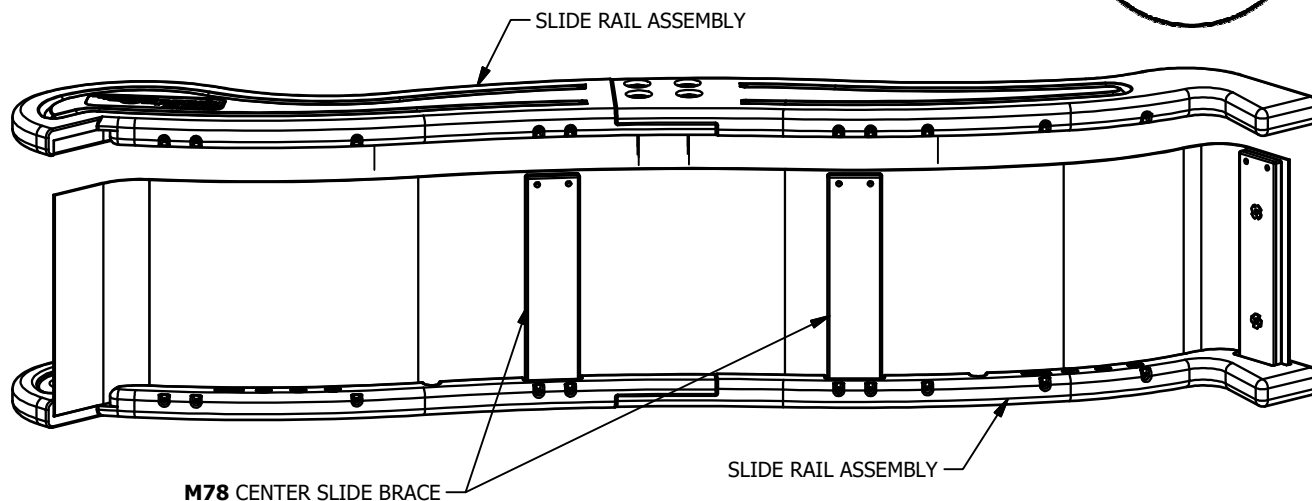


NOTE:

PLACE SECOND SLIDE RAIL ASSEMBLY OVER THE TOP OF THE SLIDE BED AND **M78** CENTER SLIDE BRACES. INSERT THE SLIDE BED AND CENTER SLIDE BRACES INTO THE SLIDE CAVITY. MAKE SURE SLIDE BED IS COMPLETELY IN THE SLIDE CAVITY.



FAILURE TO INSERT SLIDE BED COMPLETELY AND SECURED MAY RESULT IN INJURY OR AMPUTATION. EXPOSED SLIDE EDGES CAN BE SHARP AND BECOME A LACERATION HAZARD IF THE SLIDE IS NOT PROPERLY ASSEMBLED.



TIP:

USE A RUBBER Mallet TO FULLY SEAT THE SLIDE BED INTO THE SLIDE CAVITY.

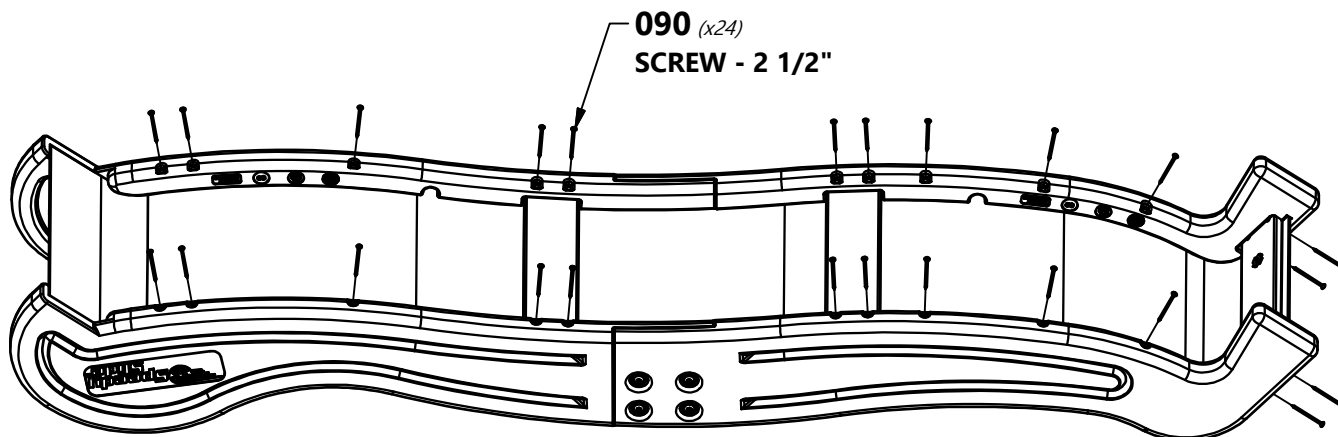


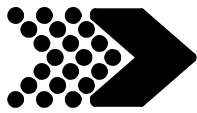
H100090 | SCREW PFH
(x24) | 8x2 1/2"



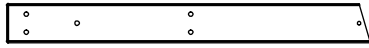
NOTE:

USING AN 1/8" DRILL BIT, DRILL PILOT HOLES IN EACH INDENTATION ALONG EACH SIDE RAIL. THERE SHOULD BE 12 INDENTATIONS ON EACH RAIL. BE SURE TO DRILL THROUGH THE SLIDE RAIL AND THE SLIDE BED. THEN SECURE WITH THE PROVIDED HARDWARE.

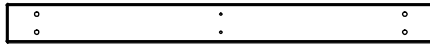




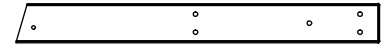
FORT ASSEMBLY STEP 1A



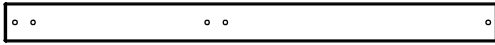
M2 | GROUND BOARD - W4L07299
(x1) | 5/8"x3 3/8"x31 5/8" (16x86x802)



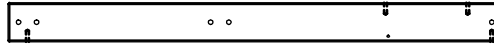
M7 | FLOOR RAIL - W4L07254
(x1) | 5/8"x3 3/8"x37 1/4" (16x86x946)



M9 | GROUND BOARD - W4L15031
(x1) | 5/8"x3 3/8"x31 5/8" (16x86x802)



E7 | LOWER UPRIGHT - W4L16117
(x1) | 1 3/8"x3 3/8"x42 3/4" (36x86x1087)



E5 | LOWER UPRIGHT - W4L16116
(x1) | 1 3/8"x3 3/8"x42 3/4" (36x86x1087)



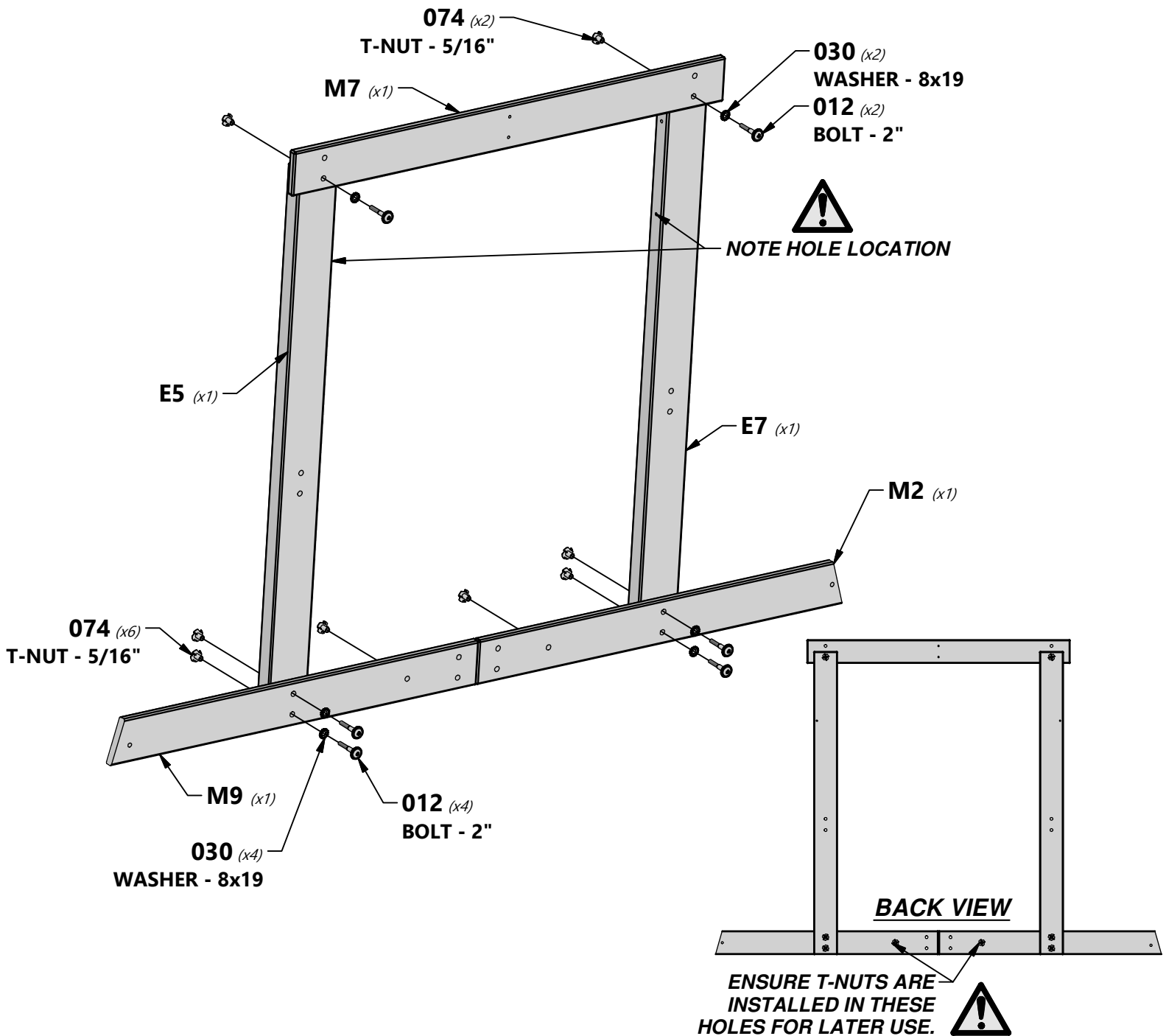
H100012 | BOLT WH
(x6) | 5/16x2

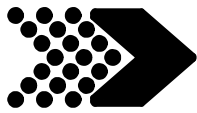


H100030 | WASHER LOCK
(x6) | EXT
8x19



H100074 | T-NUT
(x8) | 5/16





FORT ASSEMBLY STEP 1B



H4 | WALL RAIL - W4L07267
(x1) | 1"x3 3/8"x35 3/8" (24x86x898)



K2 | WALL BOARD - W4L07316
(x1) | 5/8"x5 1/4"x20 1/8" (16x134x510)



H100013 | BOLT WH
(x4) | 5/16x2 1/4



H100009 | BOLT WH
(x4) | 5/16x1 1/4



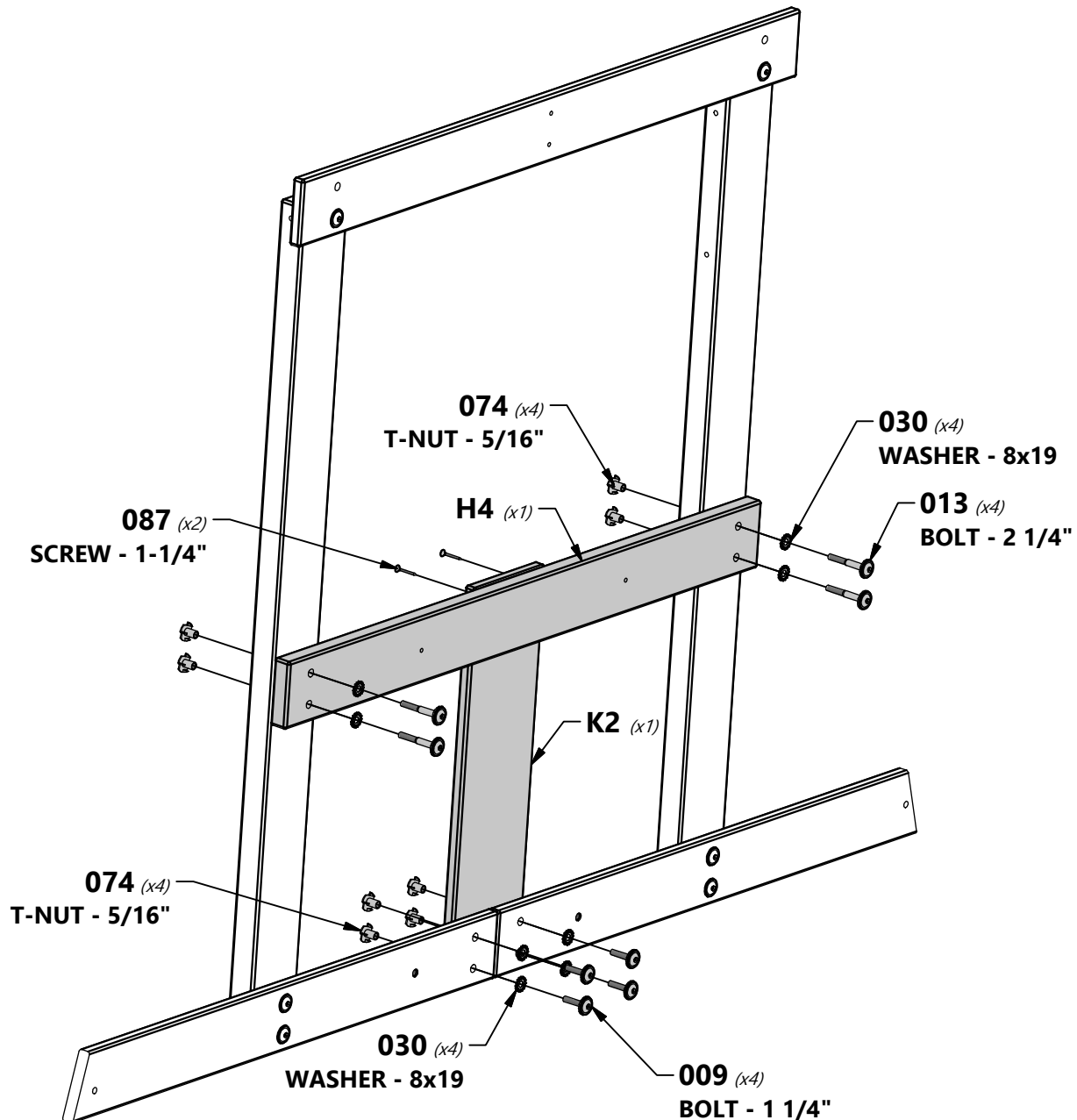
H100087 | SCREW PFH
(x2) | 8x1 1/4

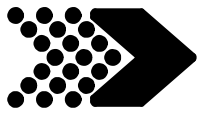


H100030 | WASHER LOCK
(x8) | EXT
8x19



H100074 | T-NUT
(x8) | 5/16





FORT ASSEMBLY

STEP 2



K1 | SERVING SHELF - W4L07271
(x1) | 5/8"x5 1/4"x35 3/8" (16x134x898)



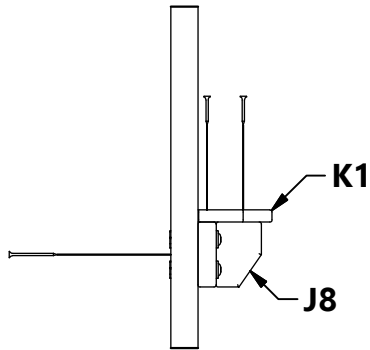
J8 | SHELF SUPPORT - W4L07058
(x2) | 1"x2 3/8"x3 3/8" (24x60x86)



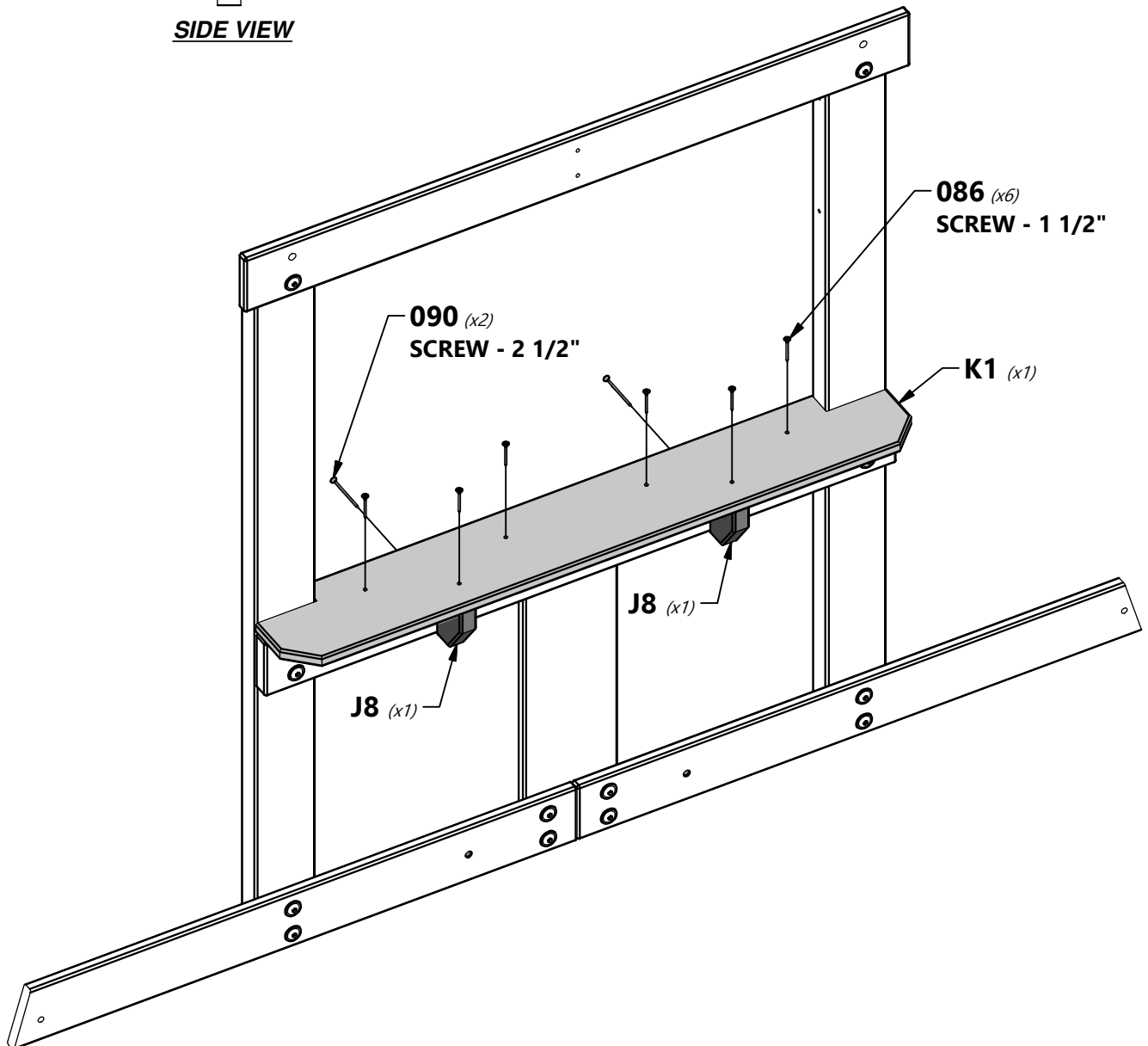
H100090 | SCREW PFH
(x2) | 8x2 1/2"

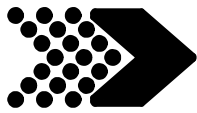


H100086 | SCREW PFH
(x6) | 8x1 1/2"

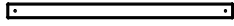


SIDE VIEW





FORT ASSEMBLY STEP 3



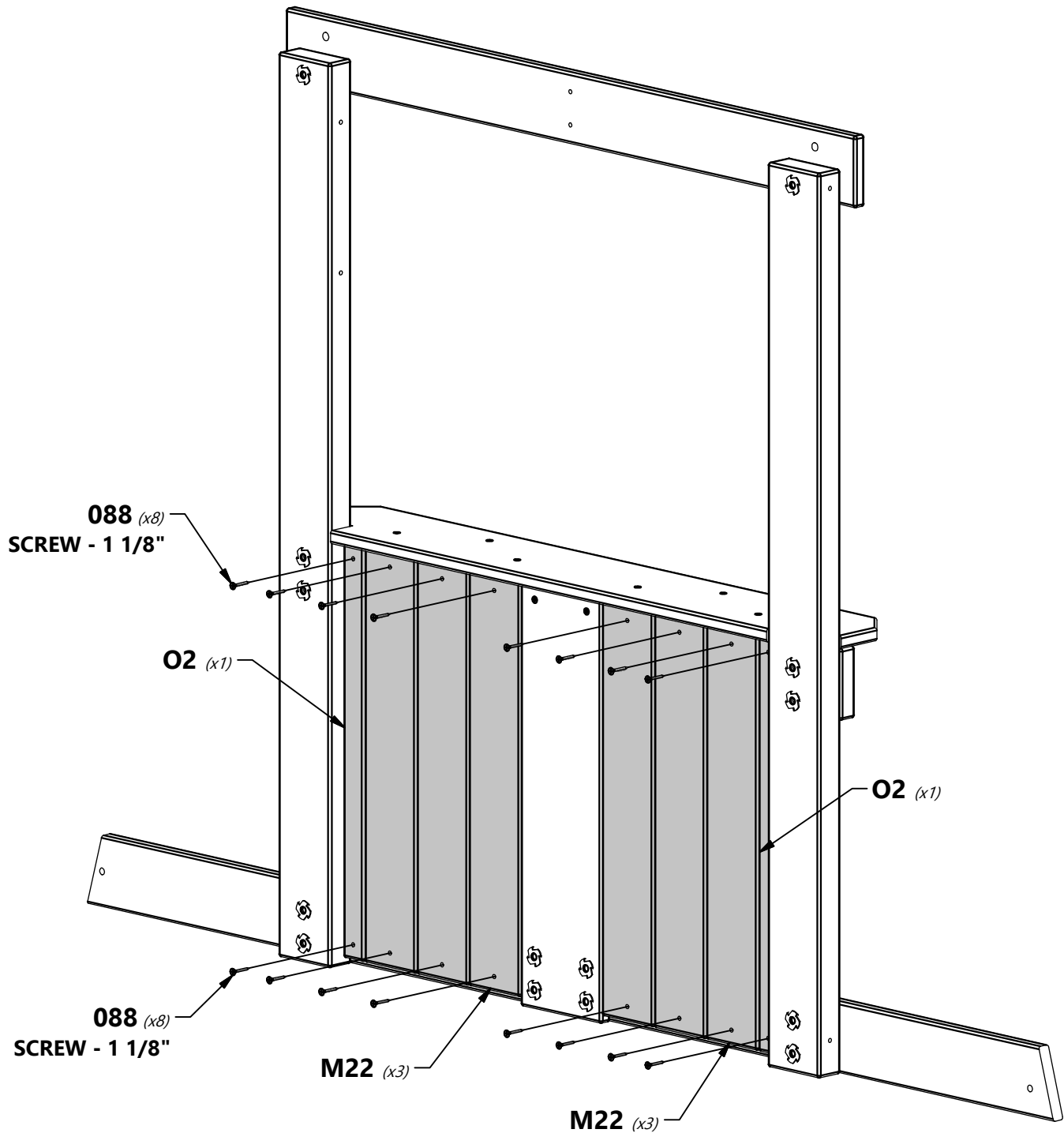
O2 PICKET - W4L07056
(x2) 5/8"x1 3/8"x19 5/8" (16x34x500)

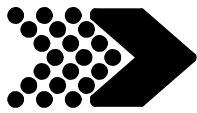


M22 WALL BOARD - W4L07302
(x6) 5/8"x3 3/8"x19 5/8" (16x86x500)

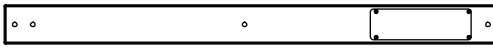


H100088 SCREW PFH
(x16) 8x1 1/8"

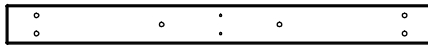




FORT ASSEMBLY STEP 4



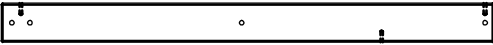
E3 | LOWER UPRIGHT - W2A03289
(x1) | 1 3/8"x3 3/8"x42 3/4" (36x86x1087)



M11 | FLOOR RAIL - W4L07275
(x1) | 5/8"x3 3/8"x37 1/4" (16x86x946)



M5 | GROUND BOARD - W4L15021
(x1) | 5/8"x3 3/8"x23 1/4" (16x86x591)



E1 | LOWER UPRIGHT - W4L16118
(x1) | 1 3/8"x3 3/8"x42 3/4" (36x86x1087)



M16 | GROUND BOARD - W4L15030
(x1) | 5/8"x3 3/8"x35 3/8" (16x86x898)



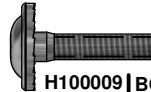
M6 | GROUND BOARD - W4L15022
(x1) | 5/8"x3 3/8"x23 1/4" (16x86x591)



H100014 | BOLT WH
(x4) | 5/16x2 1/2



H100012 | BOLT WH
(x2) | 5/16x2



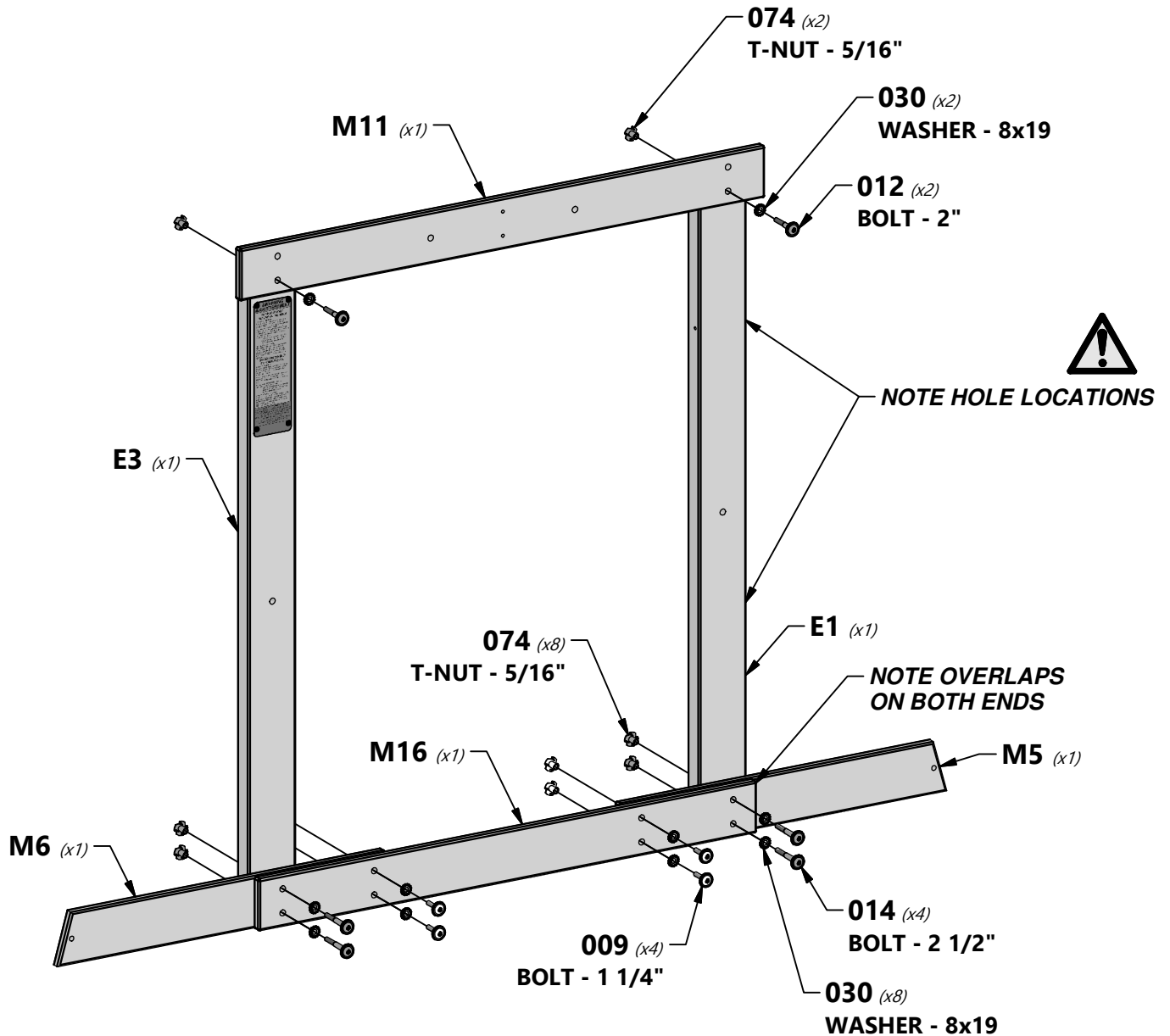
H100009 | BOLT WH
(x4) | 5/16x1 1/4

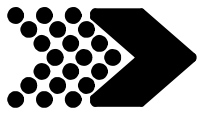


H100030 | WASHER LOCK
(x10) | EXT
8x19



H100074 | T-NUT
(x10) | 5/16





FORT ASSEMBLY STEP 5

H5 | DECK BRACE - W4L07273
 (x2) | 1"x3 3/8"x18 1/2" (24x86x470)

N1 | SAFETY BOARD - W4L07041
 (x1) | 5/8"x2 3/8"x35 3/8" (16x60x898)

H100012 | BOLT WH
 (x2) | 5/16x2

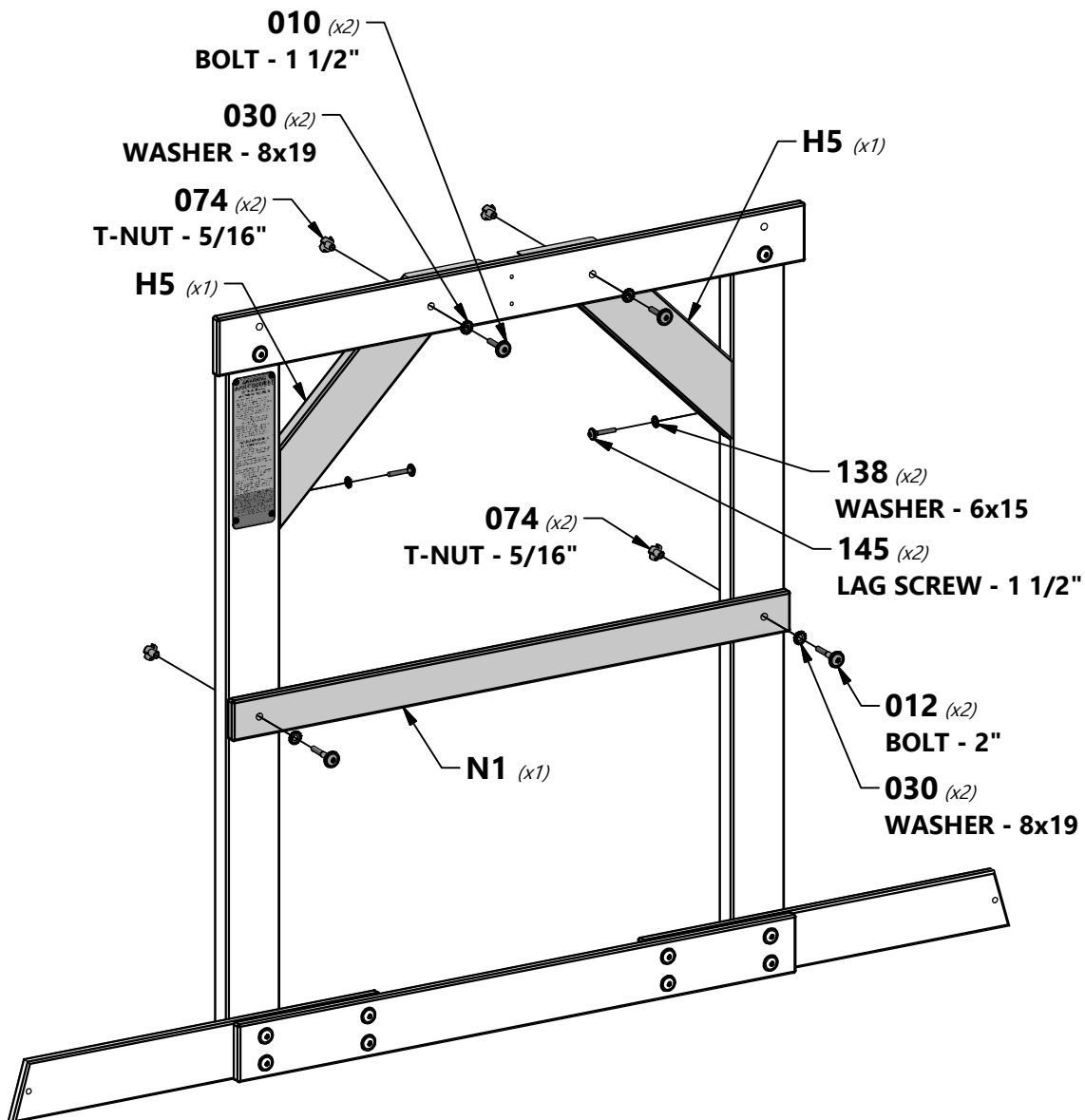
H100010 | BOLT WH
 (x2) | 5/16x1-1/2

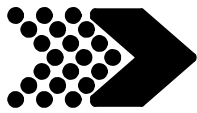
H100145 | LAG SCREW
 (x2) | WH
 1/4x1 1/2

H100074 | T-NUT
 (x4) | 5/16

H100030 | WASHER LOCK
 (x4) | EXT
 8x19

H100138 | WASHER LOCK
 (x2) | EXT
 6x15





FORT ASSEMBLY STEP 6



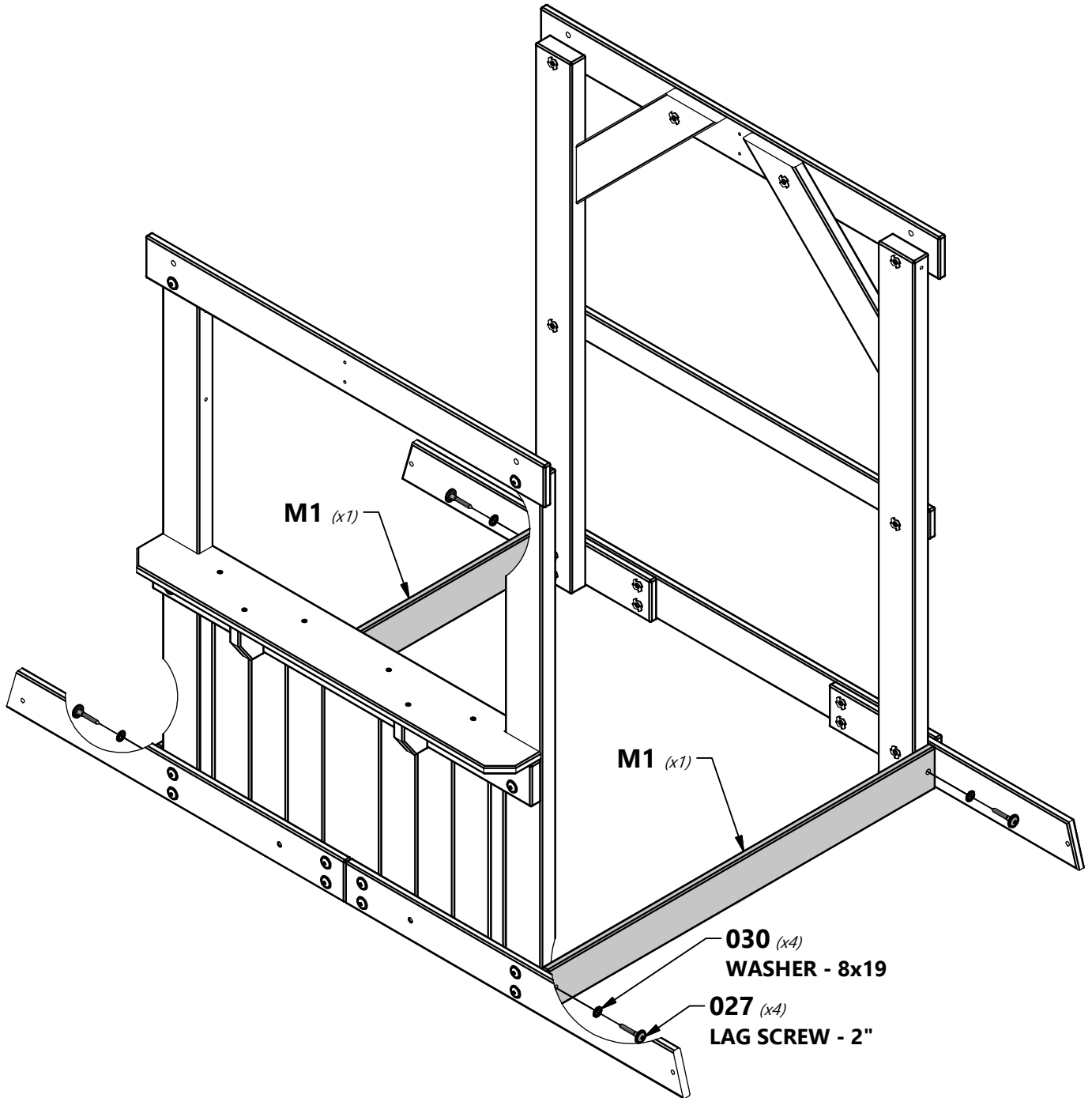
M1 | GROUND BOARD - W4L07252
(x2) | 5/8"x3 3/8"x36 1/8" (16x86x919)

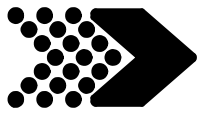


H100027 | LAG SCREW WH
(X4) | 5/16x2



H100030 | WASHER LOCK
(x4) | EXT
8x19

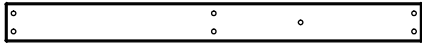




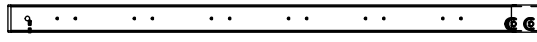
FORT ASSEMBLY STEP 7A



M10 | GROUND BOARD - W4L07286
(x1) | 5/8"x3 3/8"x37 1/2" (16x86x951)



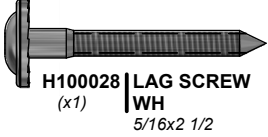
H1 | FLOOR RAIL - W4L07297
(x1) | 1"x3 3/8"x36 1/8" (24x86x919)



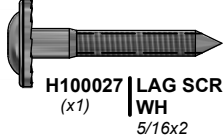
J6 | LADDER RAIL - W4L15023
(x1) | 1"x2 3/8"x46 3/8" (24x60x1177)



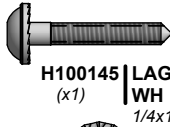
A4M00555 | 90° L-BRACKET -
(x1) | BLK



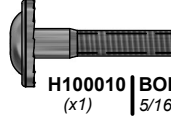
H100028 | LAG SCREW
(x1) | WH
5/16x2 1/2



H100027 | LAG SCREW
(x1) | WH
5/16x2



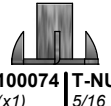
H100145 | LAG SCREW
(x1) | WH
1/4x1 1/2



H100010 | BOLT WH
(x1) | 5/16x1-1/2



H100141 | BOLT WH
(x2) | 1/4 x 1/2"



H100074 | T-NUT
(x1) | 5/16



H100136 | NUT BARREL
(x2) | WH
1/4x5/8



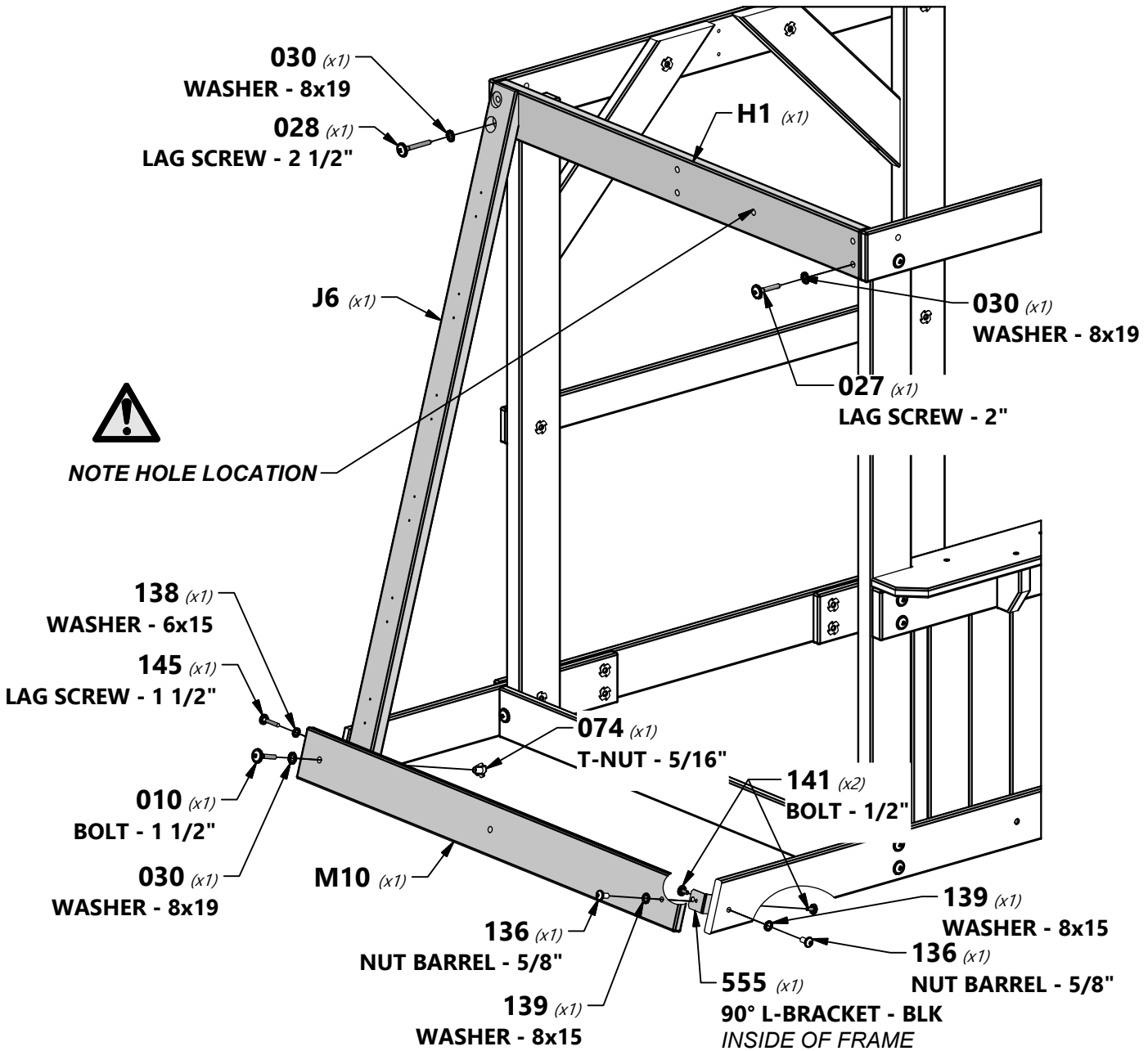
H100030 | WASHER LOCK
(x3) | EXT
8x19

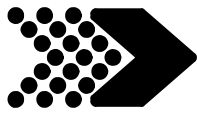


H100138 | WASHER LOCK
(x1) | EXT
6x15



H100139 | WASHER LOCK
(x2) | EXT
8x15

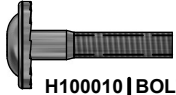




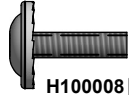
FORT ASSEMBLY STEP 7B



J3 | LADDER RAIL - W4L07265
(x1) | 1"x2 3/8"x46 3/8" (24x60x1177)



H100010 | BOLT WH
(x1) | 5/16x1-1/2



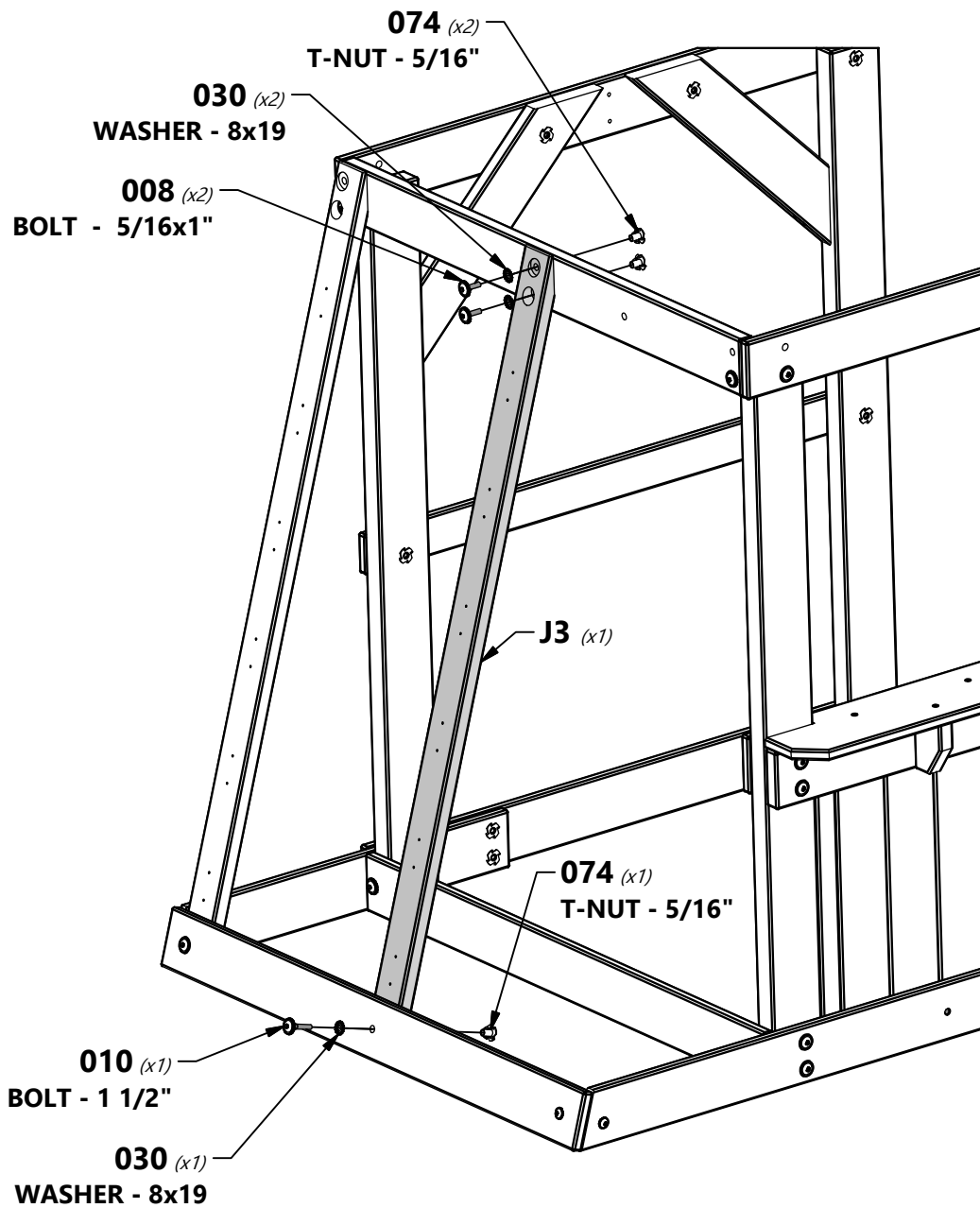
H100008 | BOLT WH
(x2) | 5/16x1

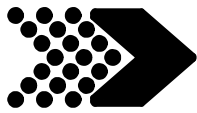


H100030 | WASHER LOCK
(x3) | EXT
8x19

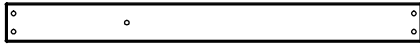


H100074 | T-NUT
(x3) | 5/16

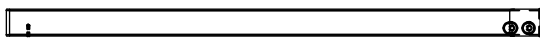




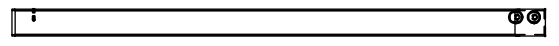
FORT ASSEMBLY STEP 8



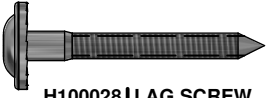
H2 | FLOOR RAIL - W4L07251
(x1) | 1"x3 3/8"x36 1/8" (24x86x919)



J2 | LADDER RAIL - W4L07287
(x1) | 1"x2 3/8"x46 3/8" (24x60x1177)



J7 | LADDER RAIL - W4L07268
(x1) | 1"x2 3/8"x46 3/8" (24x60x1177)



H100028 | LAG SCREW
(x2) | WH
5/16x2 1/2



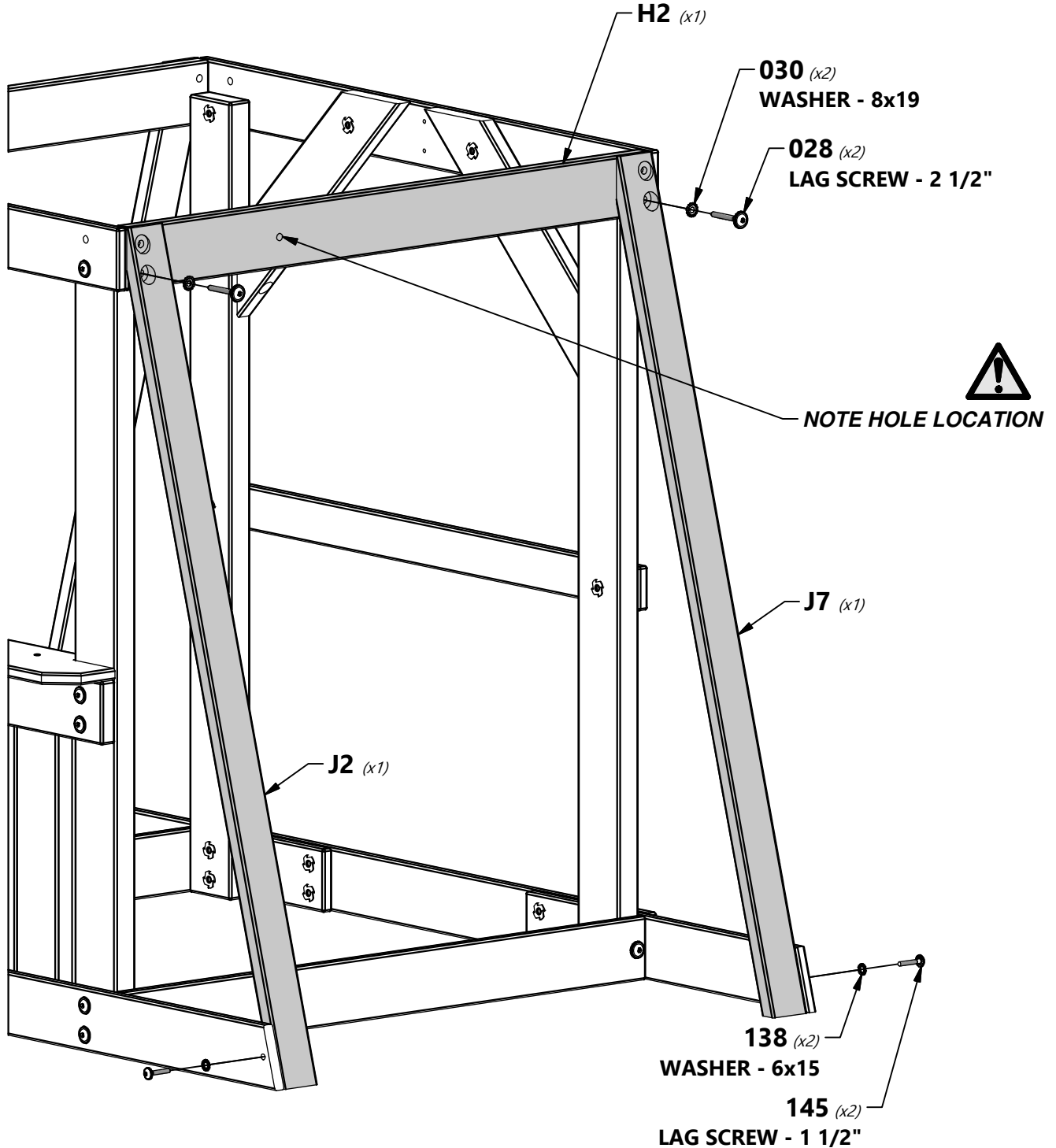
H100030 | WASHER LOCK
(x2) | EXT
8x19

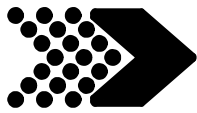


H100145 | LAG SCREW
(x2) | WH
1/4x1 1/2



H100138 | WASHER LOCK
(x2) | EXT
6x15





FORT ASSEMBLY STEP 9

H5 | DECK BRACE - W4L07273
 (x2) | 1"x3 3/8"x18 1/2" (24x86x470)

H3 | FLOOR SUPPORT - W4L07255
 (x1) | 1"x3 3/8"x36 1/8" (24x86x919)

H100011 | BOLT WH
 (x2) | 5/16x1 3/4

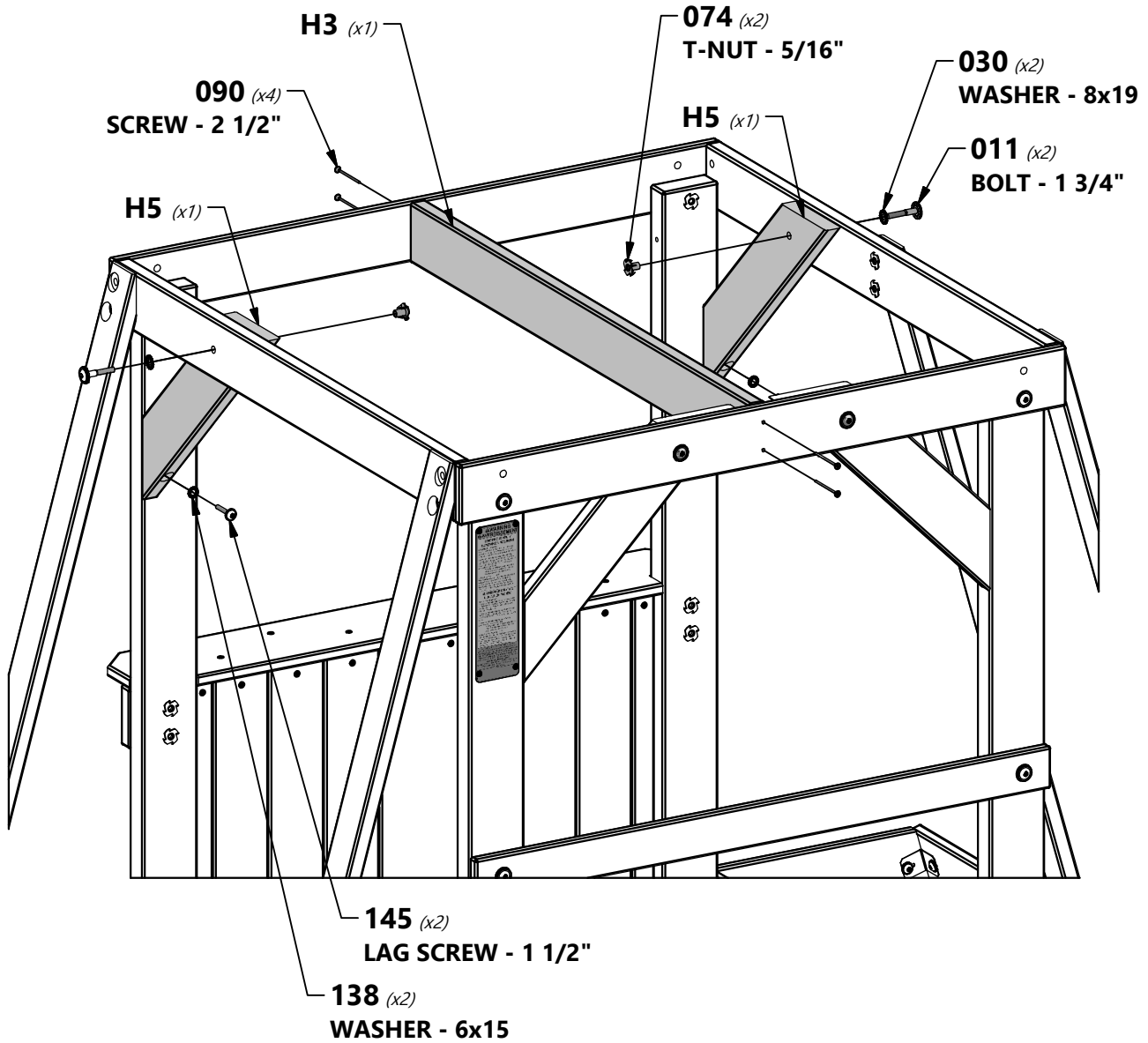
H100030 | WASHER LOCK
 (x2) | EXT
 8x19

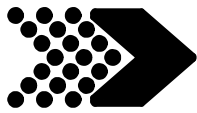
H100145 | LAG SCREW
 (x2) | WH
 1/4x1 1/2

H100138 | WASHER LOCK
 (x2) | EXT
 6x15

H100074 | T-NUT
 (x2) | 5/16

H100090 | SCREW PFH
 (x4) | 8x2 1/2"





FORT ASSEMBLY STEP 10



E6 | UPPER UPRIGHT - W4L15658
(x1) | 1 3/8"x3 3/8"x38 7/8" (36x86x989)



E2 | UPPER UPRIGHT - W4L15659
(x1) | 1 3/8"x3 3/8"x38 7/8" (36x86x989)



E11 | UPPER UPRIGHT - W4L07307
(x1) | 1 3/8"x3 3/8"x38 7/8" (36x86x989)



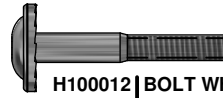
E4 | UPPER UPRIGHT - W4L07298
(x1) | 1 3/8"x3 3/8"x38 7/8" (36x86x989)



H100028 | LAG SCREW
(x3) | WH
5/16x2 1/2



H100027 | LAG SCREW
(x1) | WH
5/16x2



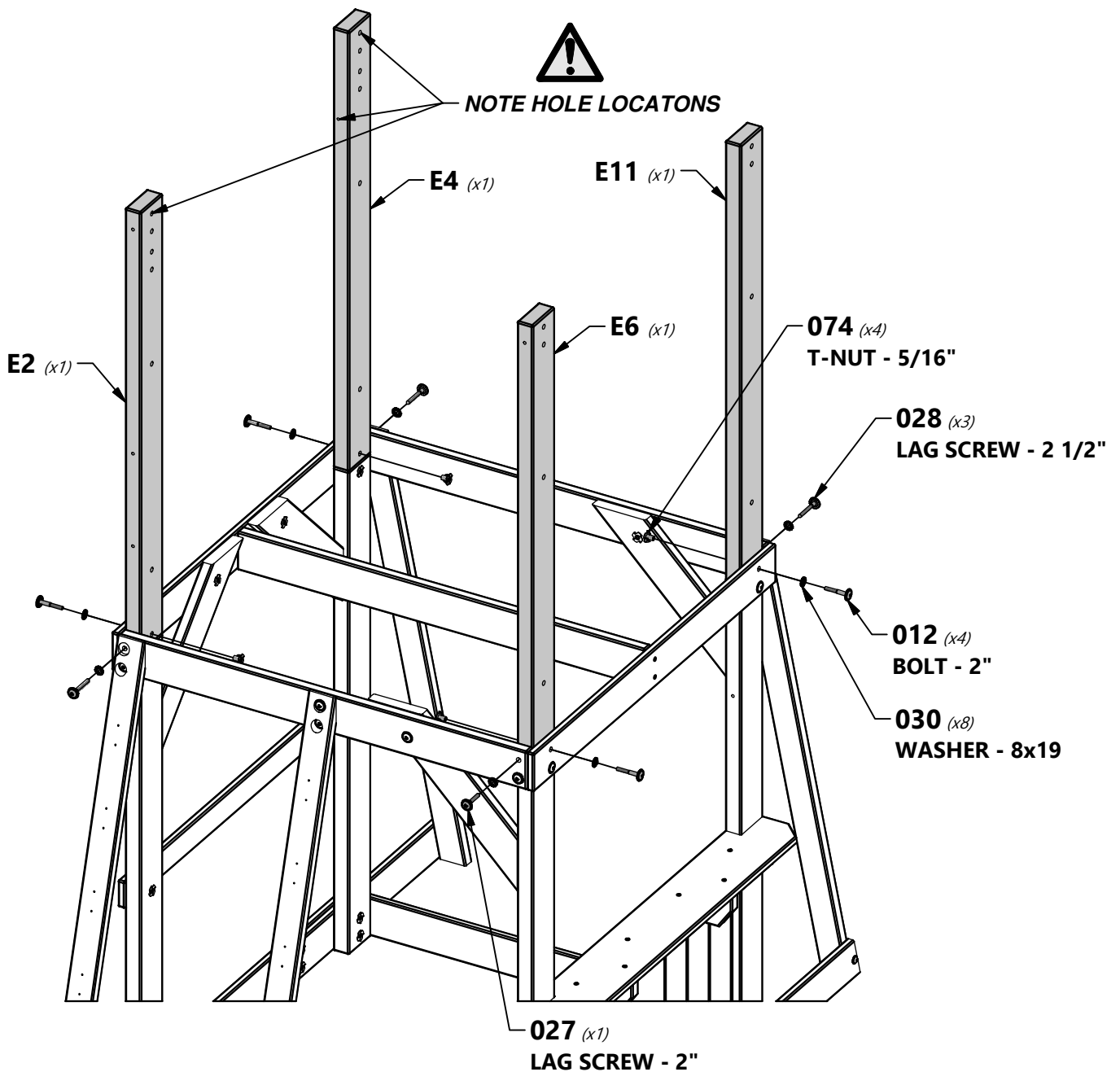
H100012 | BOLT WH
(x4) | 5/16x2

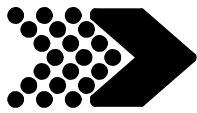


H100030 | WASHER LOCK
(x8) | EXT
8x19

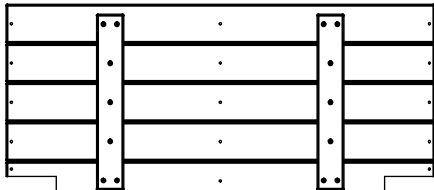


H100074 | T-NUT
(x4) | 5/16





FORT ASSEMBLY STEP 11



FP1 | FLOOR PANEL - W2A02023
(x2) | 1 1/4"x17"x37 1/4" (32x432x946)



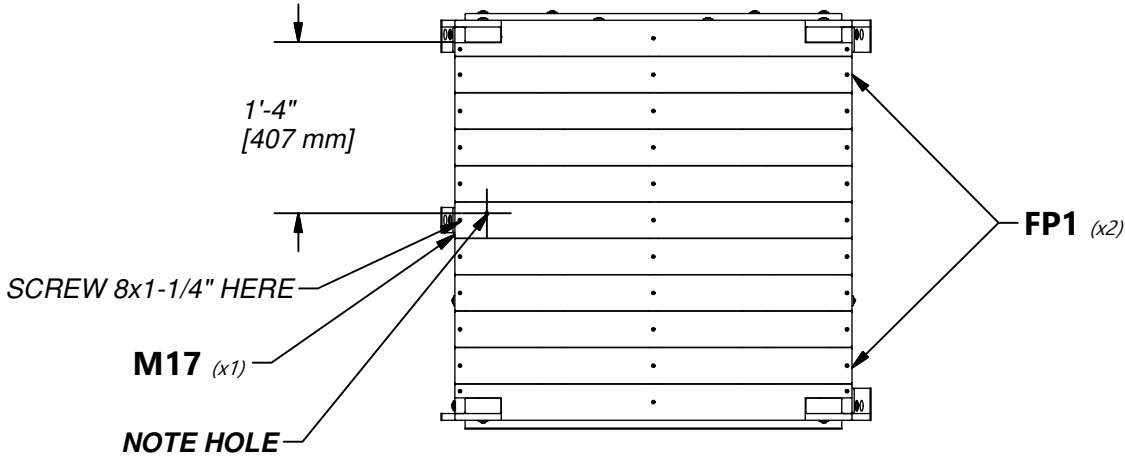
M17 | FLOOR BOARD - W4L12364
(x1) | 5/8"x3 3/8"x37 1/4" (16x86x946)



H100086 | SCREW PFH
(x32) | 8x1 1/2"

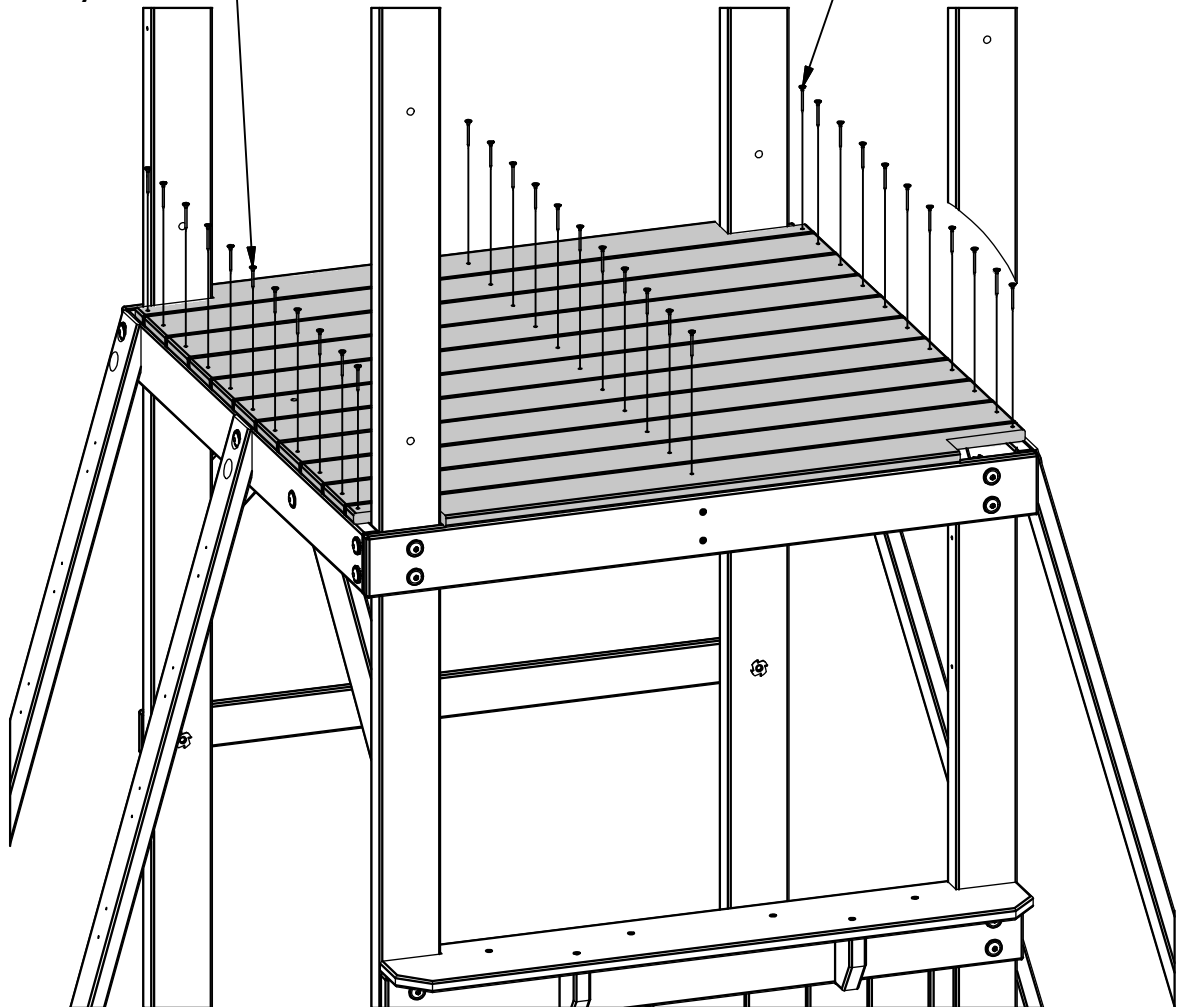


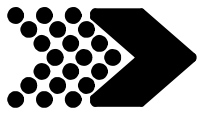
H100087 | SCREW PFH
(x1) | 8x1 1/4"



087 (x1)
SCREW - 1-1/4"

086 (x32)
SCREW - 1 1/2"

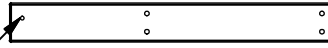




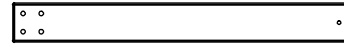
FORT ASSEMBLY STEP 12



HOLE GOES UPWARD



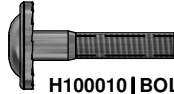
M13 | ROOF BOARD - W4L15026
(x2) | 5/8"x3 3/8"x27 7/8" (16x86x709)



H10 | ROOF SUPPORT - W4L15027
(x1) | 1"x3 3/8"x29 1/2" (24x86x748)



H100012 | BOLT WH
(x4) | 5/16x2



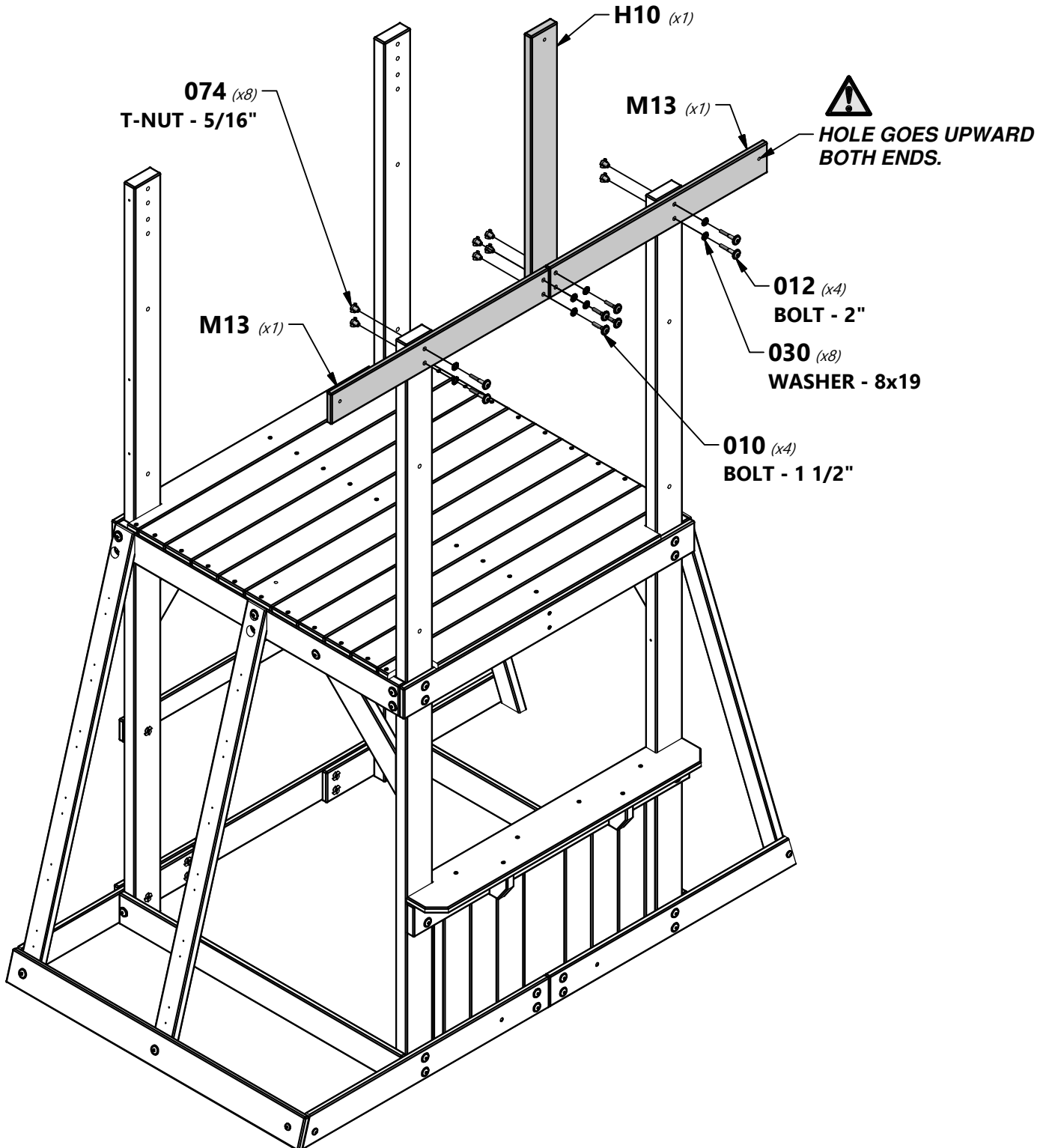
H100010 | BOLT WH
(x4) | 5/16x1-1/2

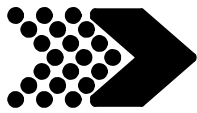


H100030 | WASHER LOCK
(x8) | EXT
8x19



H100074 | T-NUT
(x8) | 5/16





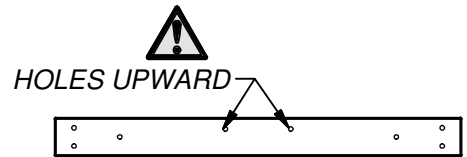
FORT ASSEMBLY STEP 13



H10 | ROOF SUPPORT - W4L15027
(x1) | 1"x3 3/8"x29 1/2" (24x86x748)



H12 | ROOF BOARD - W4L15025
(x2) | 1"x3 3/8"x27 7/8" (24x86x709)



H11 | WALL RAIL - W4L15024
(x1) | 1"x3 3/8"x35 3/8" (24x86x898)



H100013 | BOLT WH
(x8) | 5/16x2 1/4



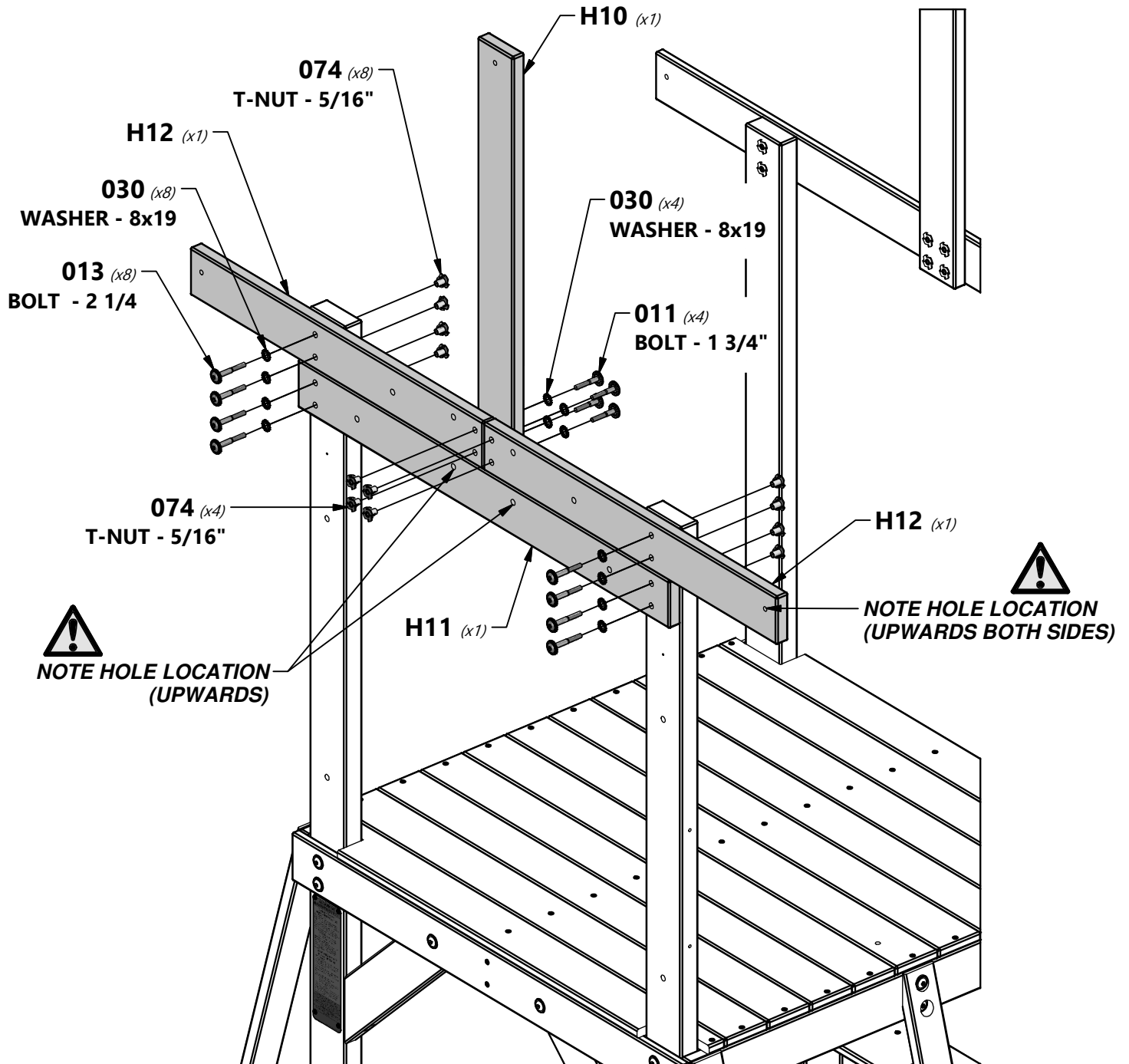
H100011 | BOLT WH
(x4) | 5/16x1 3/4

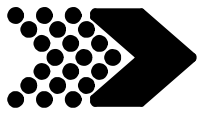


H100030 | WASHER LOCK
(x12) | EXT
8x19

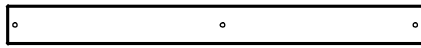


H100074 | T-NUT
(x12) | 5/16

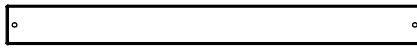




FORT ASSEMBLY STEP 14



M8 | WALL BOARD - W4L07269
(x1) | 5/8"x3 3/8"x36 1/8" (16x86x919)



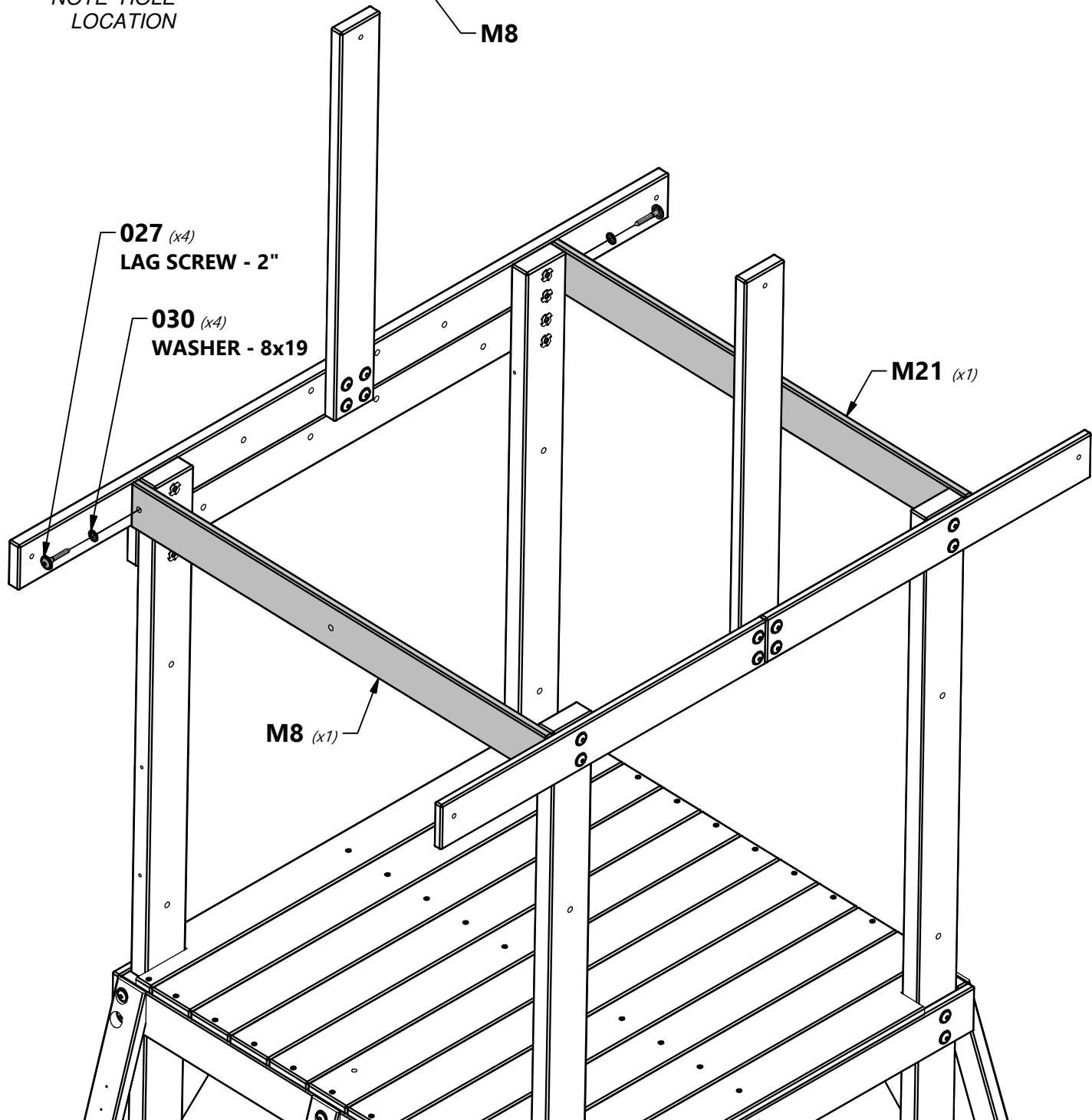
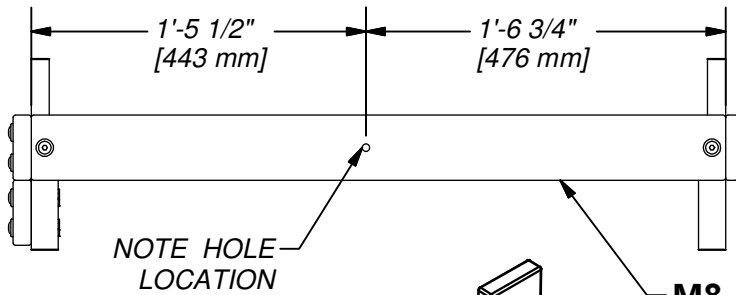
M21 | WALL BOARD - W4L07315
(x1) | 5/8"x3 3/8"x36 1/8" (16x86x919)

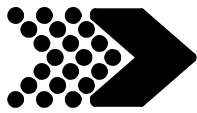


H100027 | LAG SCREW
(x4) | WH
5/16x2



H100030 | WASHER LOCK
(x4) | EXT
8x19





FORT ASSEMBLY STEP 15

H6 | DECK BRACE - W4L07276
(x2) | 1"x3 3/8"x13 3/4" (24x86x350)

H100011 | BOLT WH
(x4) | 5/16x1 3/4

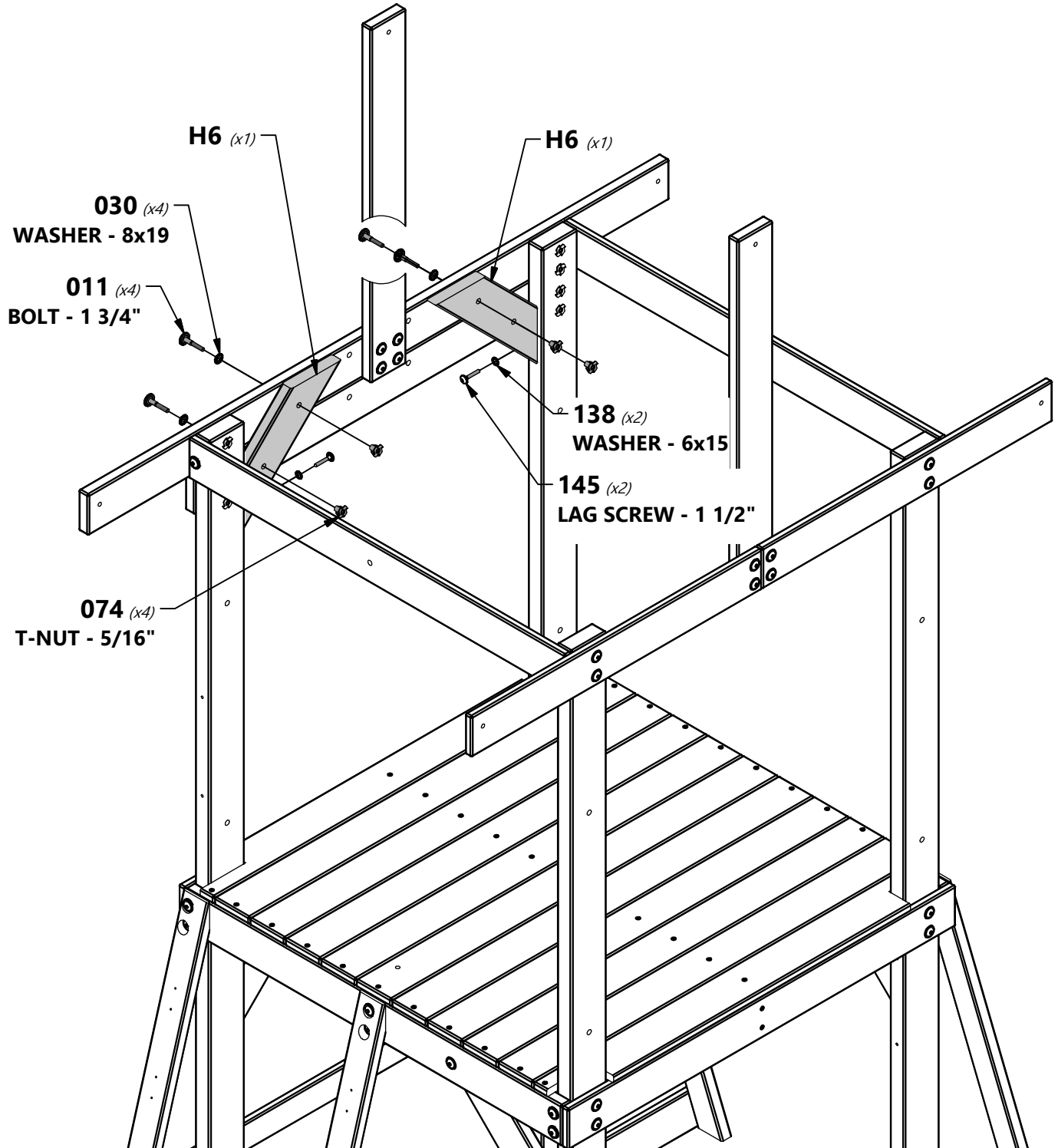
H100145 | LAG SCREW
(x2) | WH
1/4x1 1/2

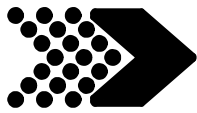
H100074 | T-NUT
(x4) | 5/16



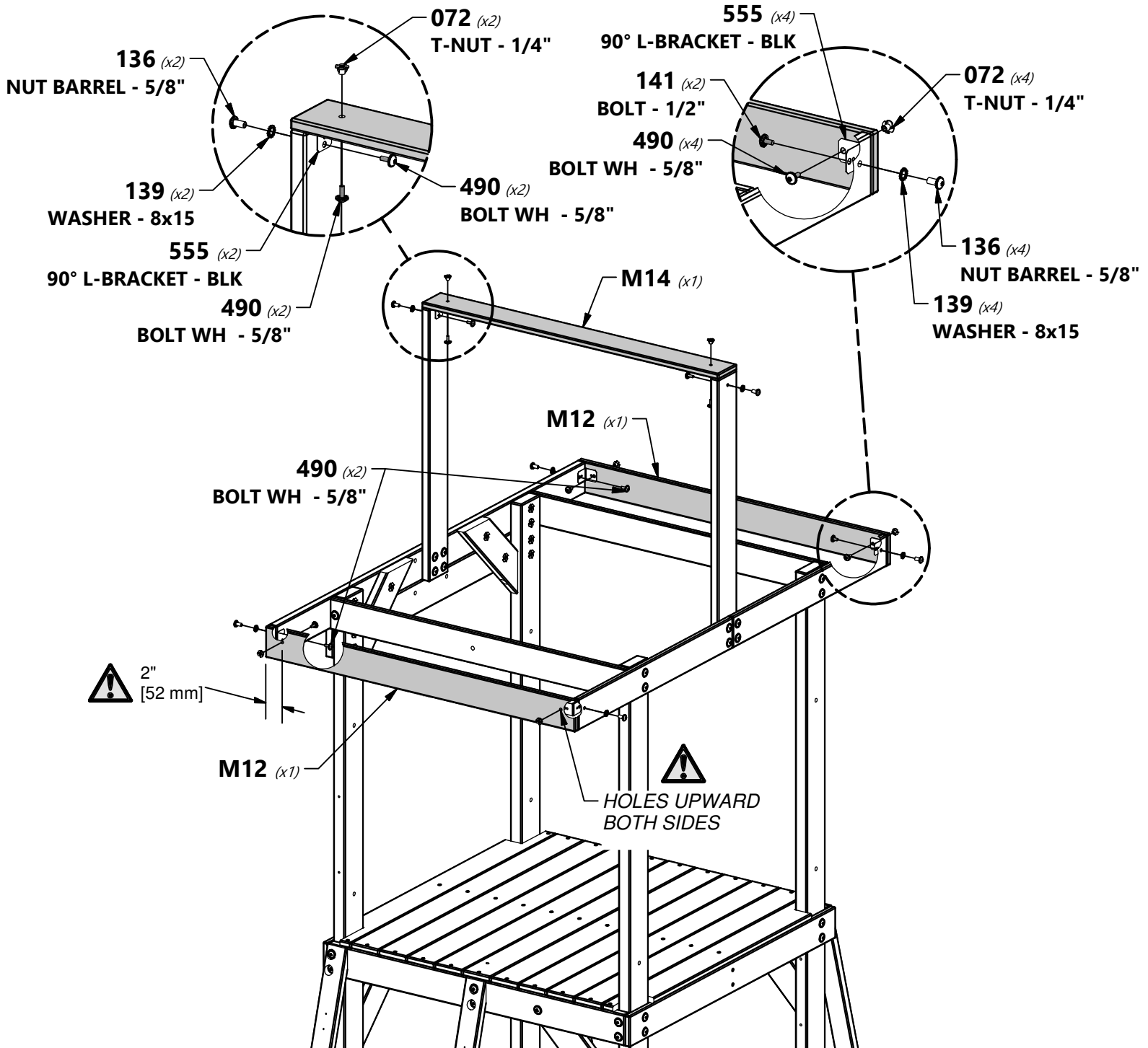
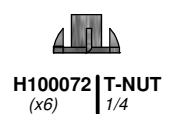
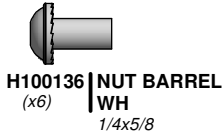
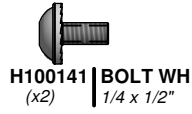
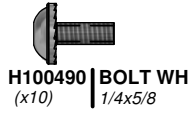
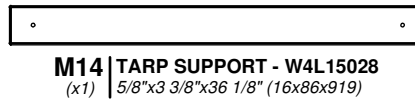
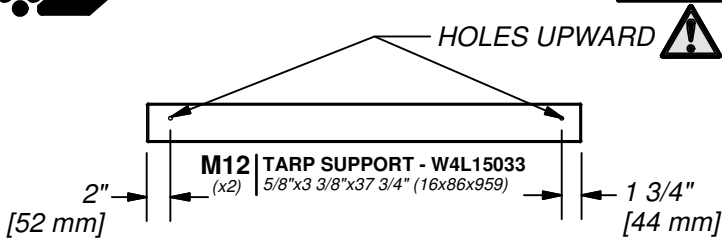
H100030 | WASHER LOCK
(x4) | EXT
8x19

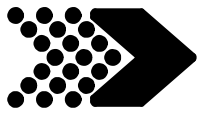
H100138 | WASHER LOCK
(x2) | EXT
6x15



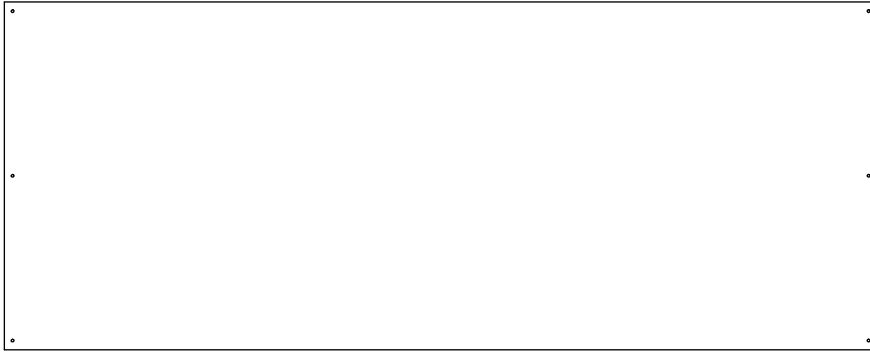


FORT ASSEMBLY STEP 16





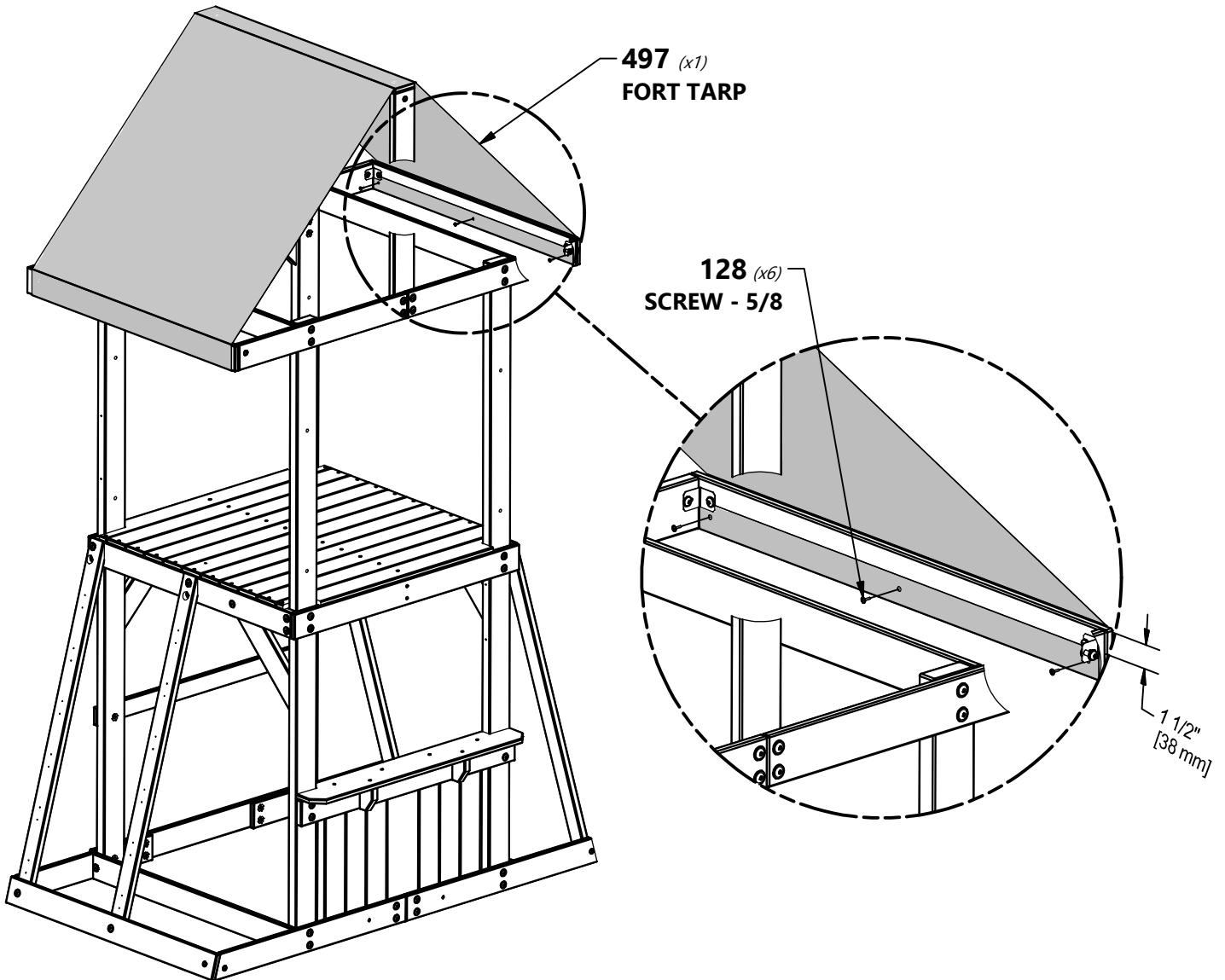
FORT ASSEMBLY STEP 17

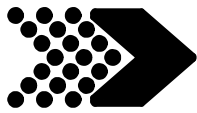


A6P00497 | FORT TARP
(x1)

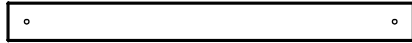


H100128 | SCREW PWH
(x6) | 8x5/8

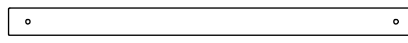




FORT ASSEMBLY STEP 18



M19 | WALL RAIL - W4L07306
(x1) | 5/8"x3 3/8"x35 3/8" (16x86x898)



N1 | SAFETY BOARD - W4L07041
(x1) | 5/8"x2 3/8"x35 3/8" (16x60x898)



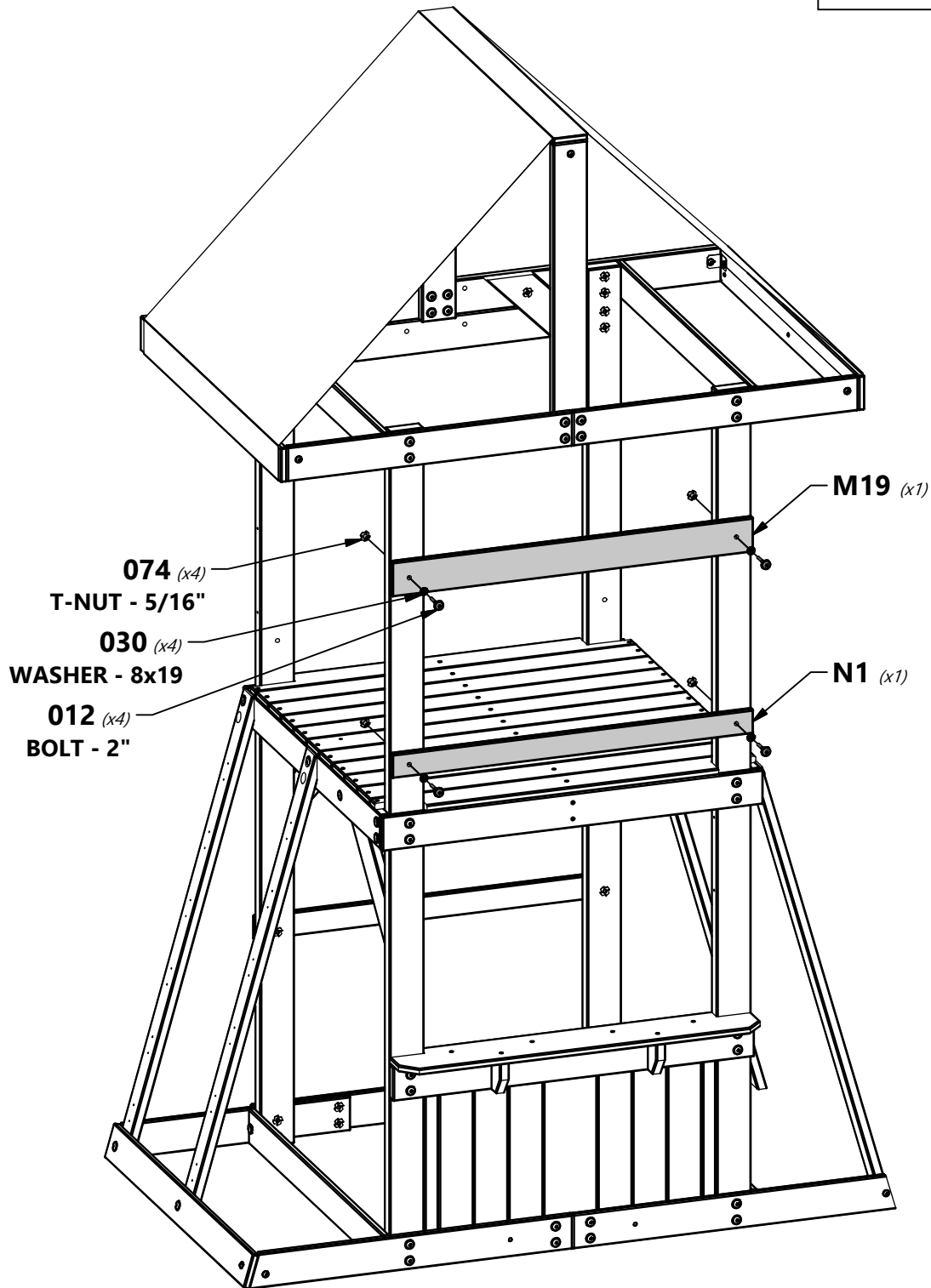
H100012 | BOLT WH
(x4) | 5/16x2

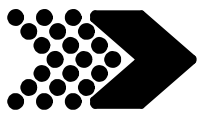


H100074 | T-NUT
(x4) | 5/16



H100030 | WASHER LOCK
(x4) | EXT
8x19

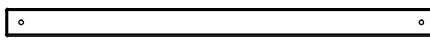




FORT ASSEMBLY STEP 19



M20 | WALL RAIL - W4L07309
(x1) | 5/8"x3 3/8"x37 1/2" (16x86x951)



N2 | SAFETY BOARD - W4L07263
(x1) | 5/8"x2 3/8"x37 1/2" (16x60x951)



H100027 | LAG SCREW
(x4) | WH
5/16x2



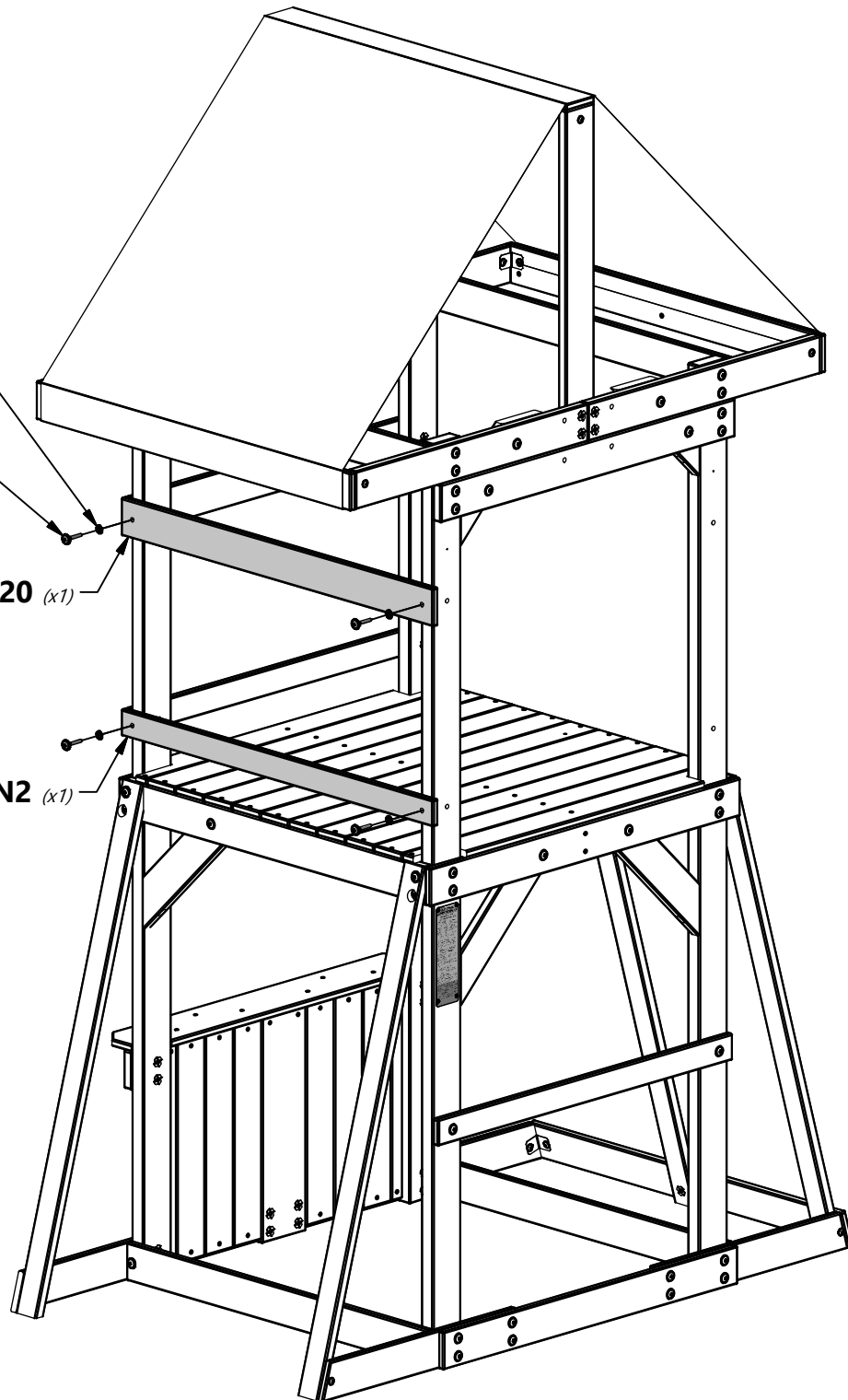
H100030 | WASHER LOCK
(x4) | EXT
8x19

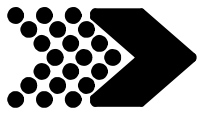
030 (x4)
WASHER - 8x19

027 (x4)
LAG SCREW - 2"

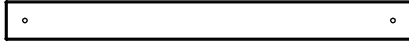
M20 (x1)

N2 (x1)

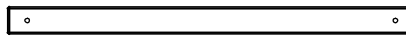




FORT ASSEMBLY STEP 20



M19 | WALL RAIL - W4L07306
(x1) | 5/8"x3 3/8"x35 3/8" (16x86x898)



N1 | SAFETY BOARD - W4L07041
(x1) | 5/8"x2 3/8"x35 3/8" (16x60x898)



O3 | SAFETY BOARD - W4L07093
(x1) | 5/8"x1 3/8"x35 3/8" (16x34x898)



H100012 | BOLT WH
(x4) | 5/16x2



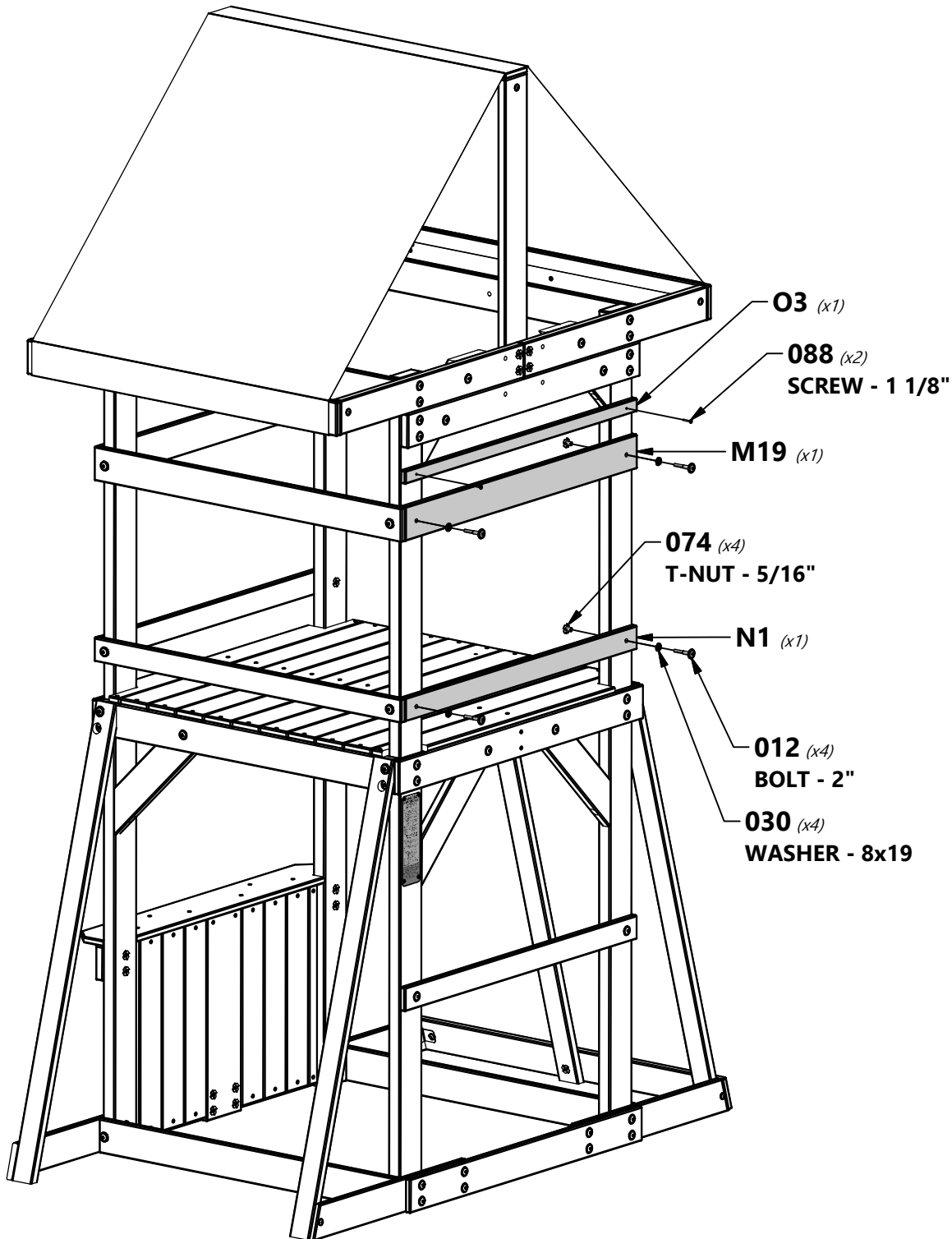
H100030 | WASHER LOCK
(x4) | EXT
8x19

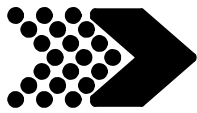


H100074 | T-NUT
(x4) | 5/16



H100088 | SCREW PFH
(x2) | 8x1 1/8





FORT ASSEMBLY

STEP 21



J1 | WALL BOARD - W4L07288
(x1) | 1"x2 3/8"x36 5/8" (24x60x930)



A4M00555 | 90° L-BRACKET -
(x1) | BLK



H100072 | T-NUT
(x1) | 1/4



H100010 | BOLT WH
(x1) | 5/16x1-1/2



H100490 | BOLT WH
(x2) | 1/4x5/8



H100136 | NUT BARREL
(x1) | WH
1/4x5/8



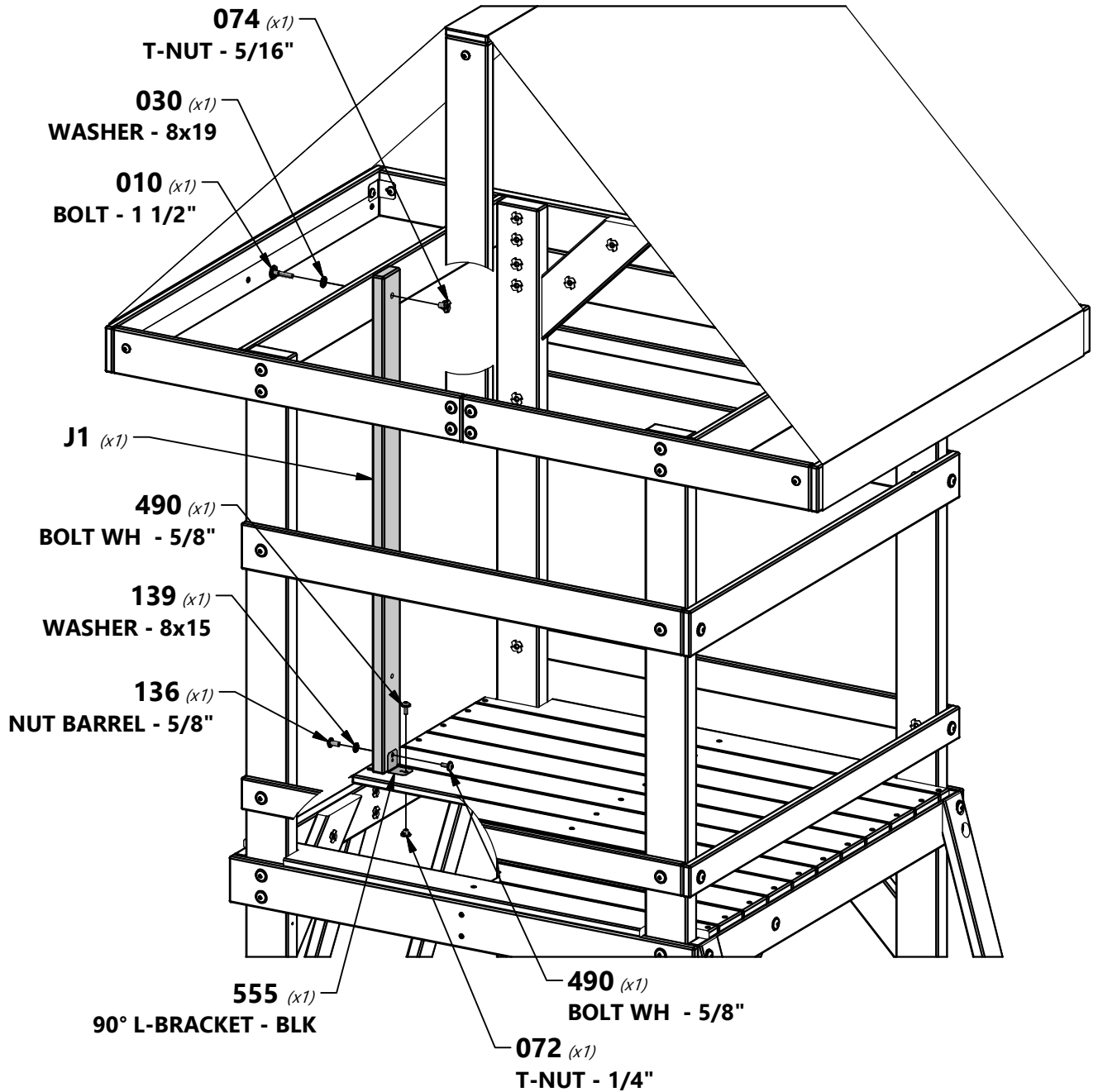
H100030 | WASHER LOCK
(x1) | EXT
8x19

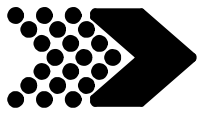


H100139 | WASHER LOCK
(x1) | EXT
8x15



H100074 | T-NUT
(x1) | 5/16





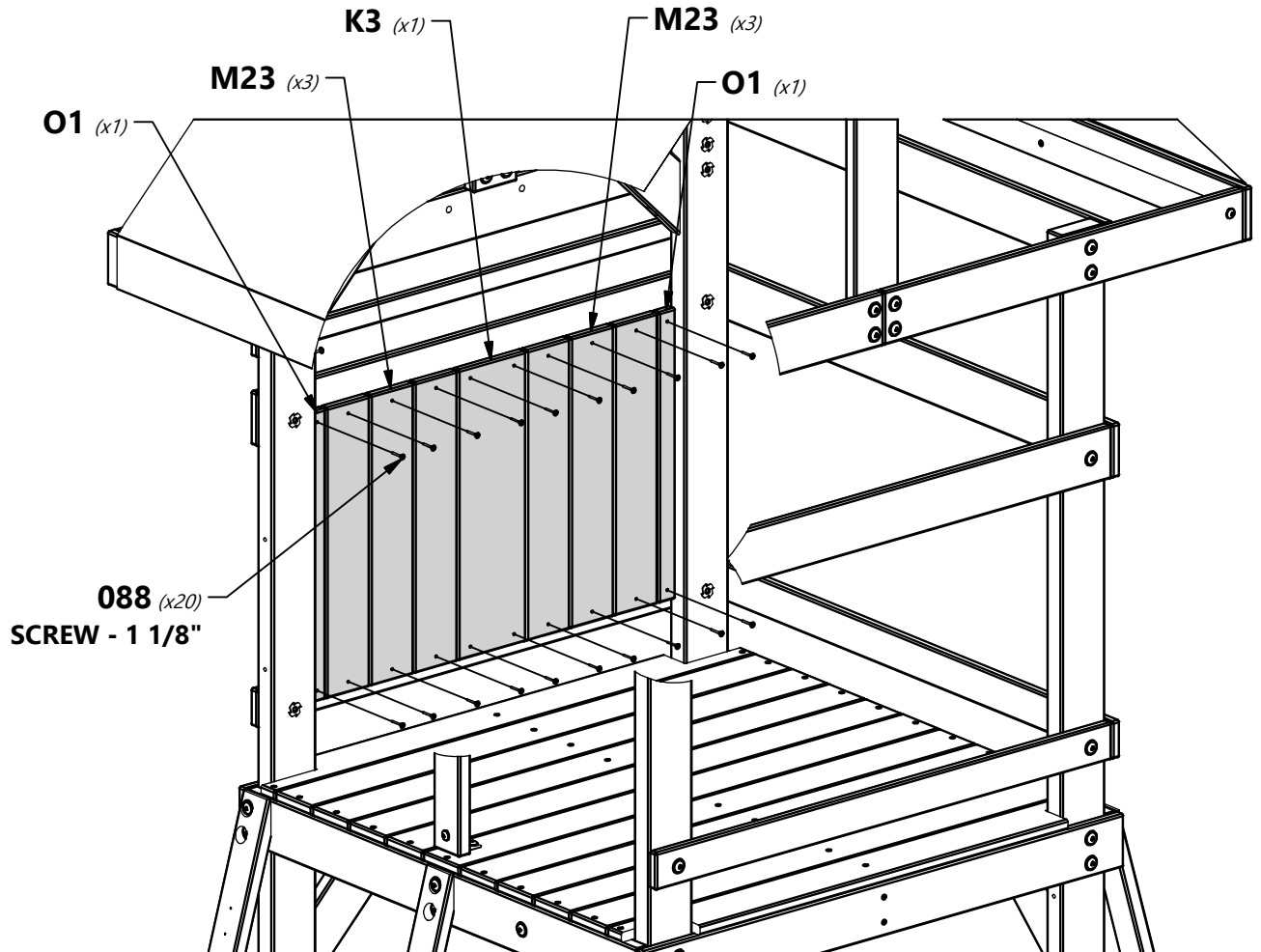
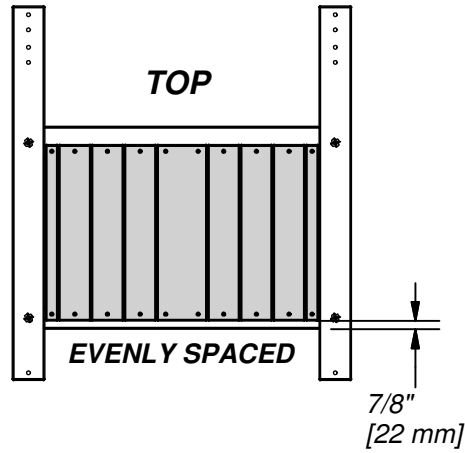
FORT ASSEMBLY STEP 22

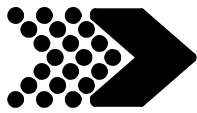
O1 PICKET - W4L07517
(x2) 5/8"x1 3/8"x18 3/8" (16x34x466)

M23 WALL BOARD - W4L07314
(x6) 5/8"x3 3/8"x18 3/8" (16x86x466)

K3 WALL BOARD - W4L07303
(x1) 5/8"x5 1/4"x18 3/8" (16x134x466)

H100088 SCREW PFH
(x20) 8x1 1/8"

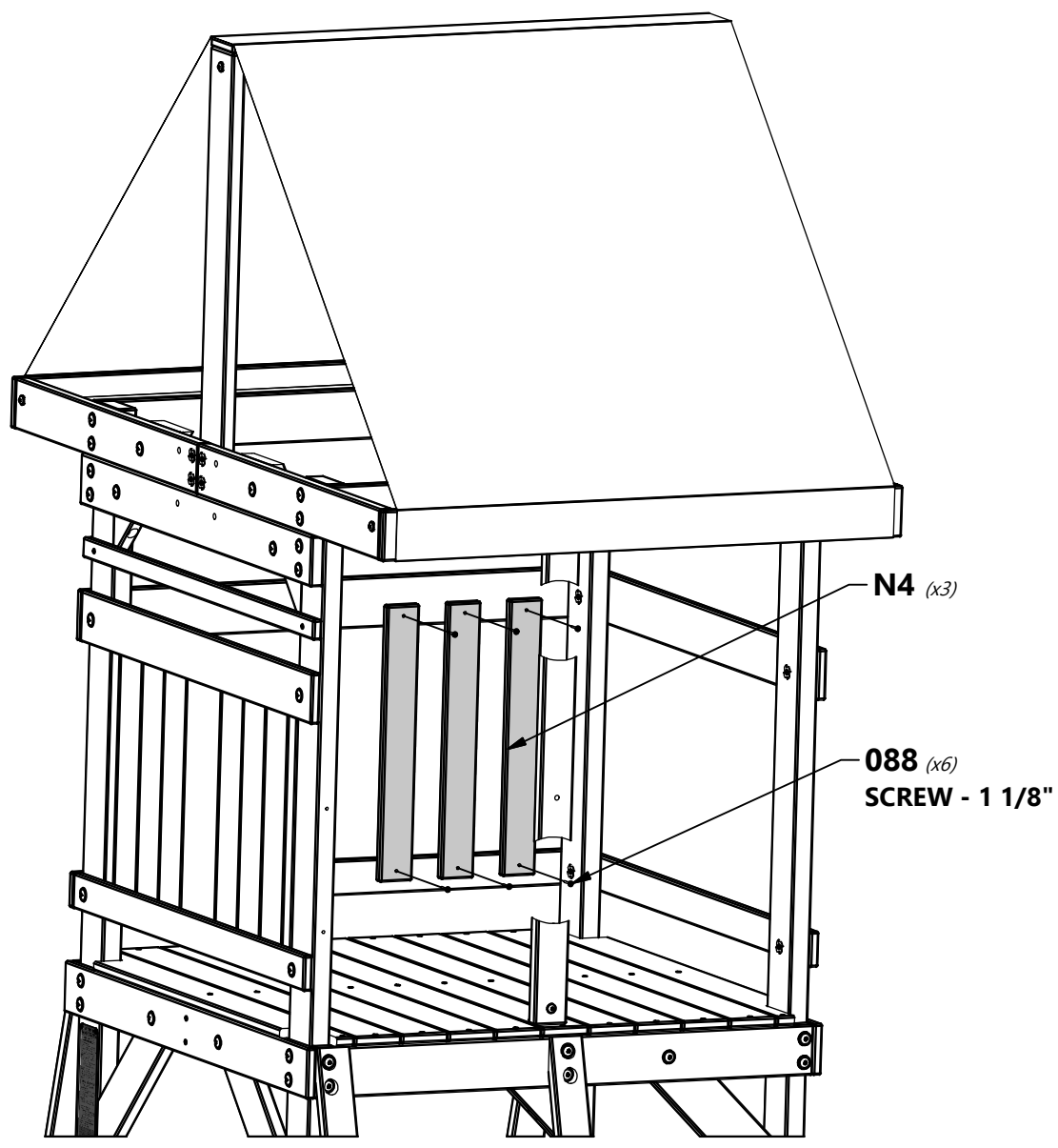
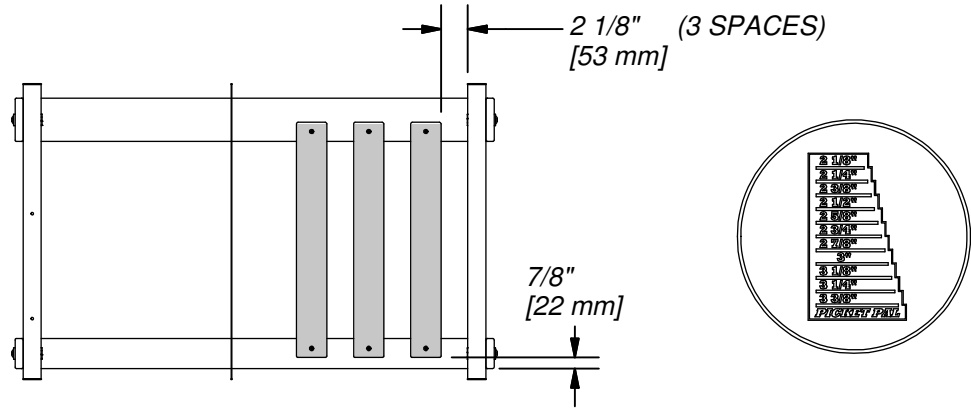


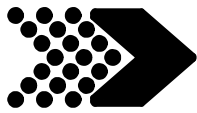


FORT ASSEMBLY STEP 23

N4 PICKET - W4L07301
(x3) 5/8"x2 3/8"x18 3/8" (16x60x466)

H100088 SCREW PFH
(x6) 8x1 1/8"

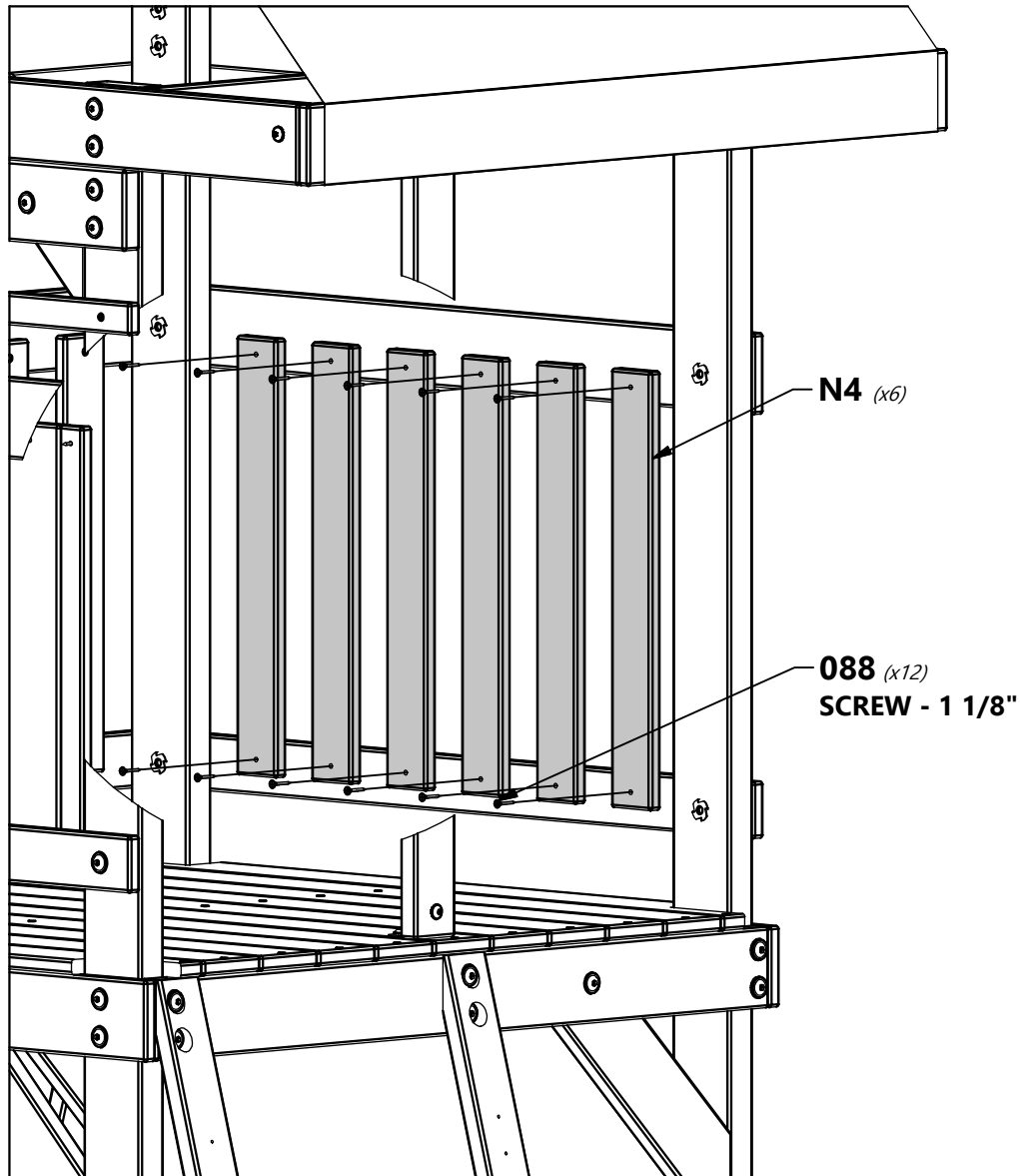
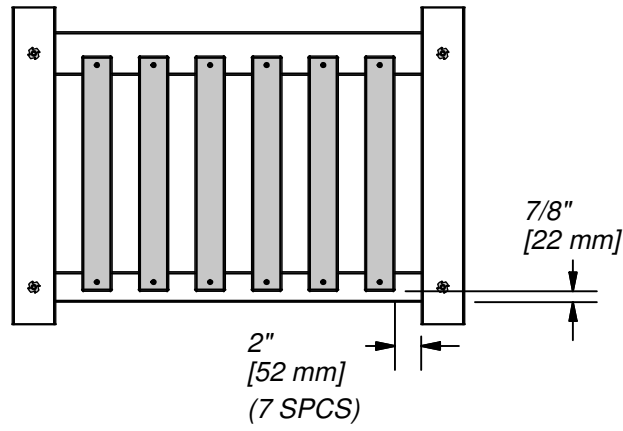
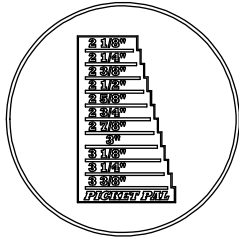


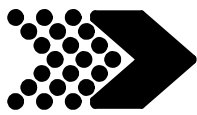


FORT ASSEMBLY STEP 24

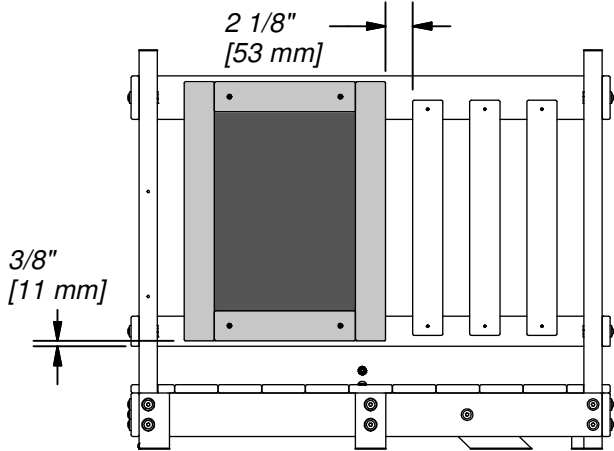
N4 PICKET - W4L07301
(x6) | 5/8"x2 3/8"x18 3/8" (16x60x466)

H100088 SCREW PFH
(x12) | 8x1 1/8"





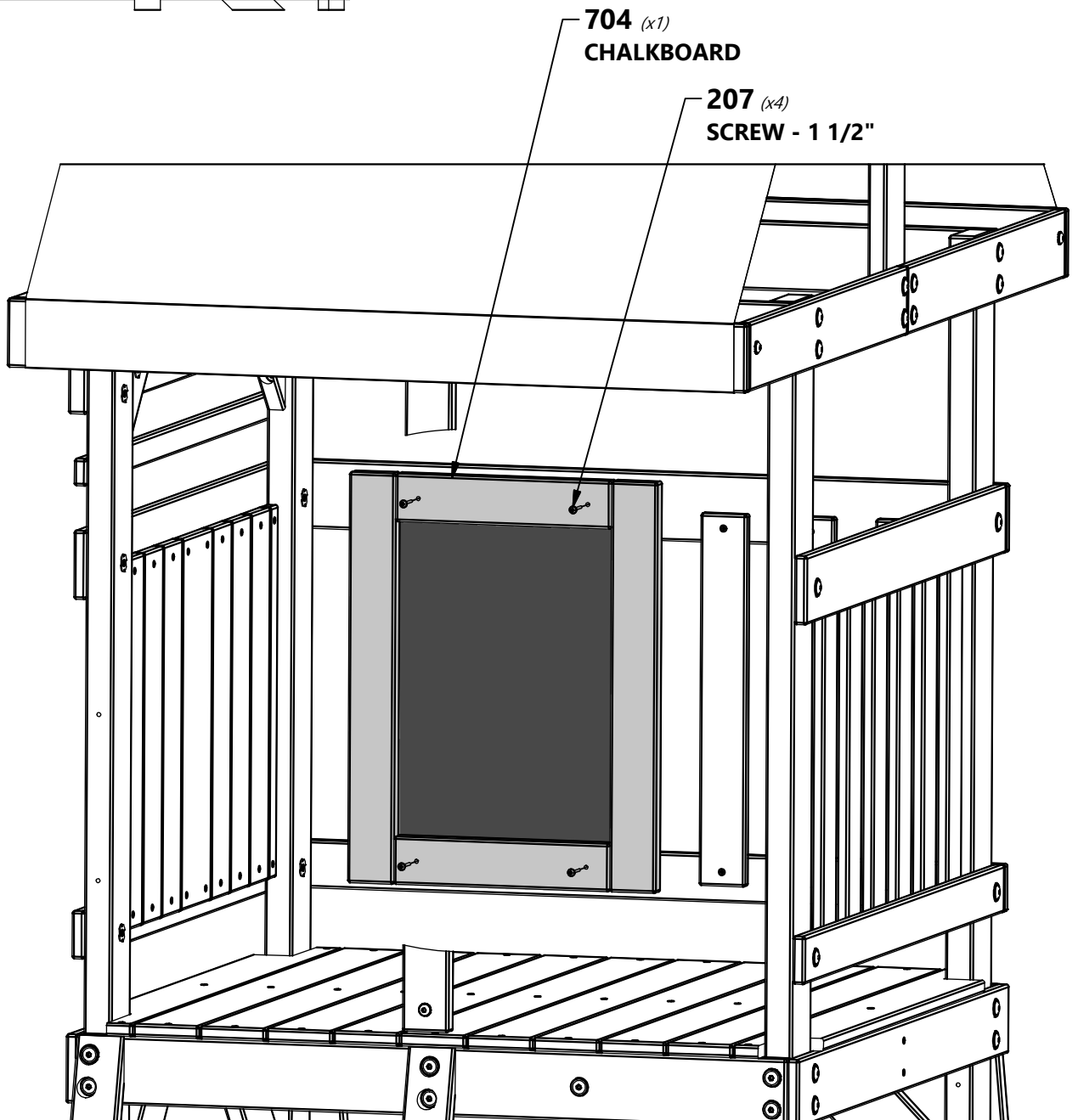
FORT ASSEMBLY STEP 25

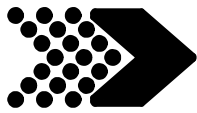


A4M00704 | CHALKBOARD
(x1)



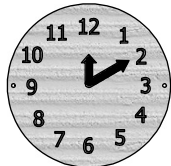
H100207 | SCREW PWH
(x4) 8x1 1/2



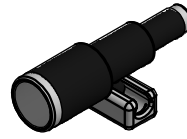


FORT ASSEMBLY STEP 26

T1 | ATTACHMENT BOARD - W4L07518
(x1) | 1"x1 3/8"x4 3/4" (24x34x120)



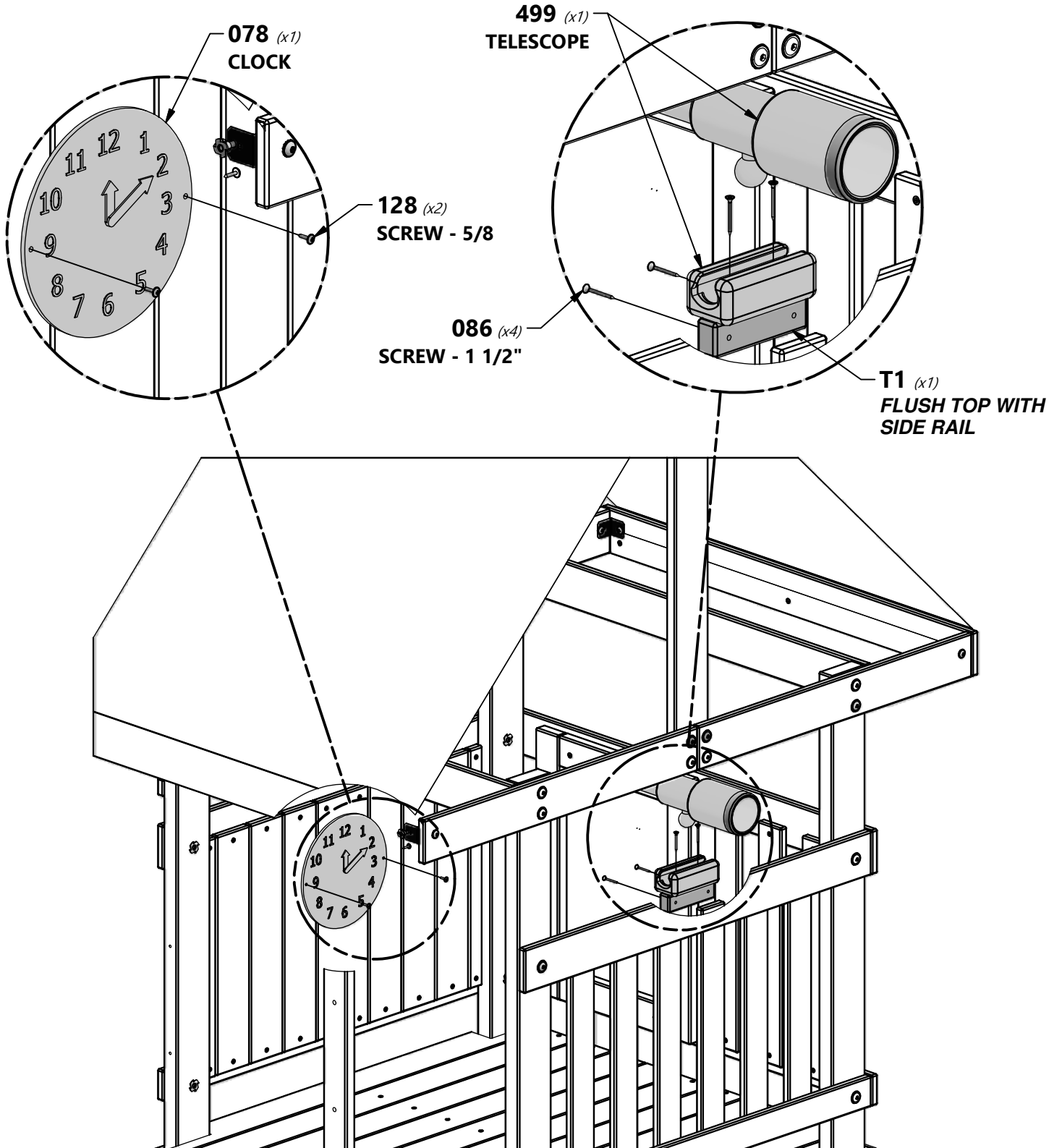
A100078 | CLOCK
(x1)

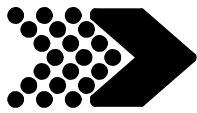


A6P00499 | TELESCOPE
(x1)

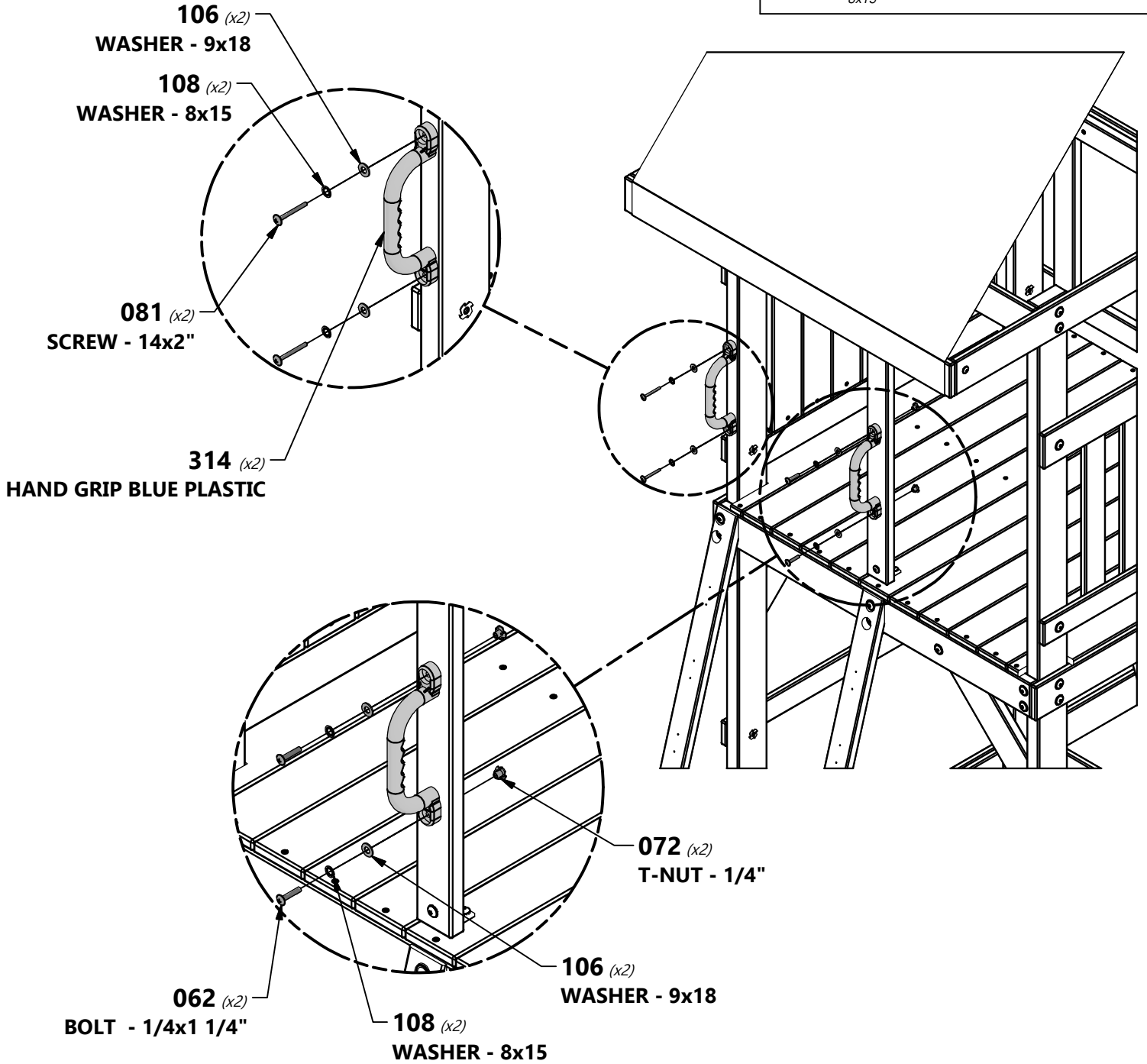
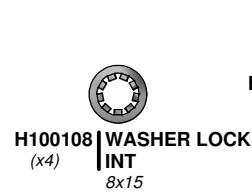
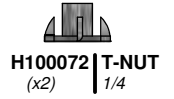
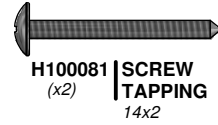
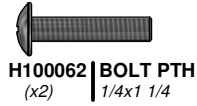
H100086 | SCREW PFH
(x4) | 8x1 1/2

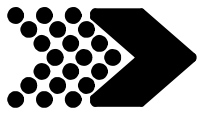
H100128 | SCREW PWH
(x2) | 8x5/8





FORT ASSEMBLY STEP 27

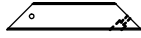




FORT ASSEMBLY STEP 28A



J4 | AWNING BOARD - W4L15019
(x2) | 1"x2 3/8"x14 1/8" (24x60x358)



J5 | AWNING SUPPORT - W4L06908
(x2) | 1"x2 3/8"x11 3/4" (24x60x298)



H100027 | LAG SCREW
(x4) | WH
5/16x2



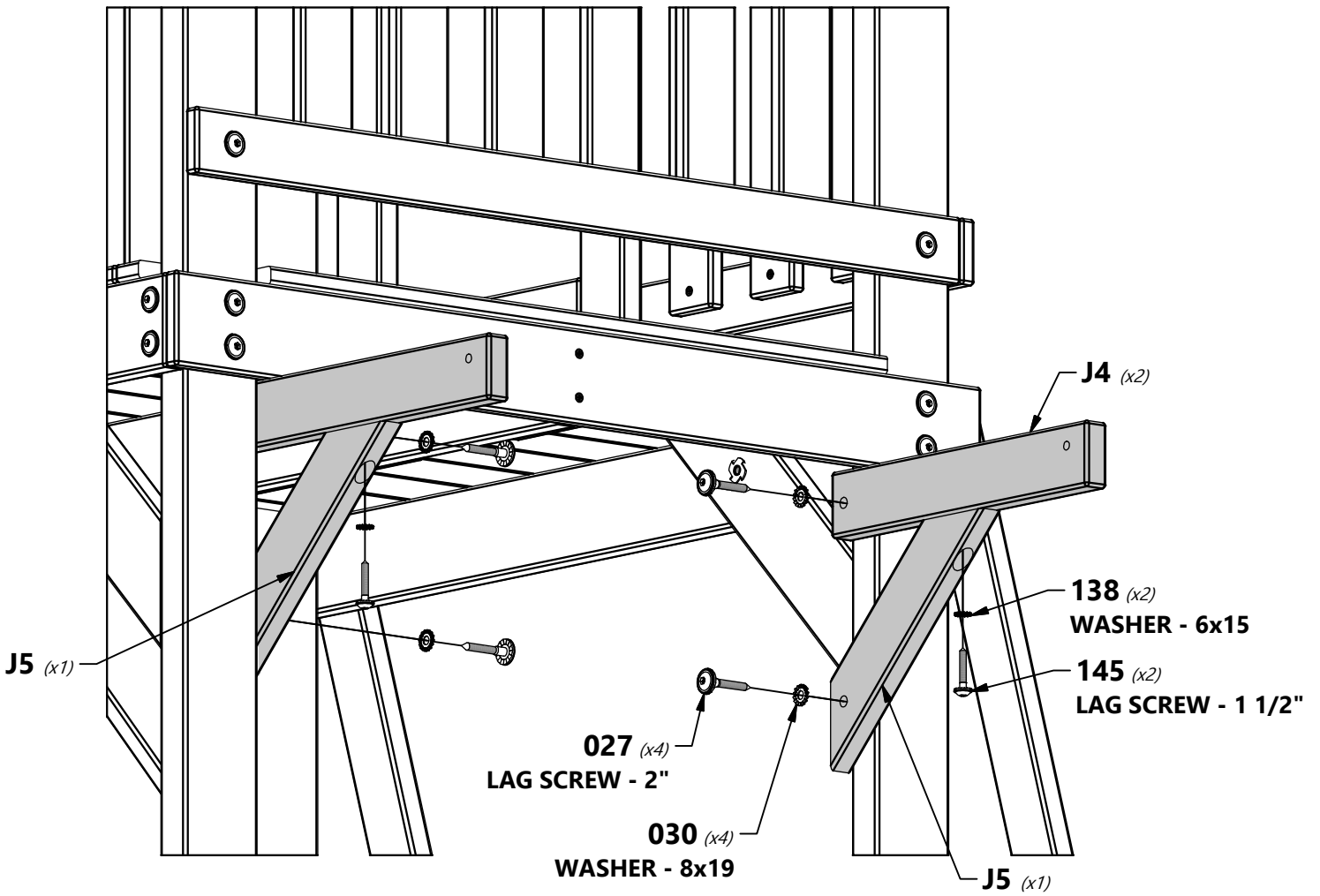
H100145 | LAG SCREW
(x2) | WH
1/4x1 1/2

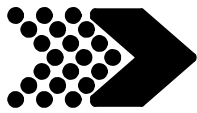


H100138 | WASHER LOCK
(x2) | EXT
6x15

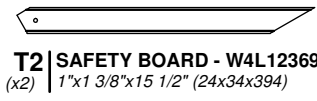


H100030 | WASHER LOCK
(x4) | EXT
8x19





FORT ASSEMBLY STEP 28B



T2 SAFETY BOARD - W4L12369
(x2) 1"x1 3/8"x15 1/2" (24x34x394)



H100490 BOLT WH
(x2) 1/4x5/8



H100136 NUT BARREL
(x2) WH
1/4x5/8



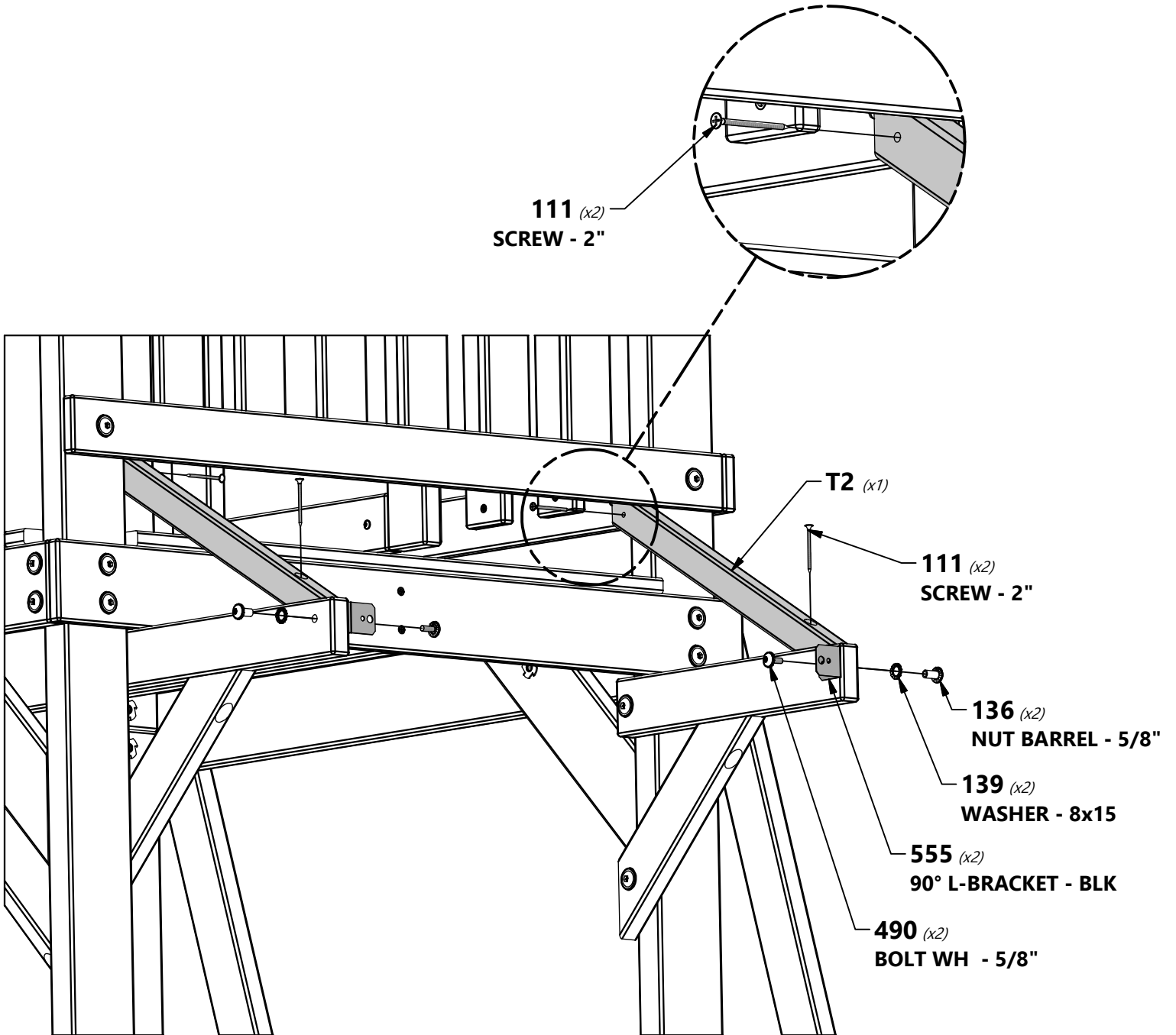
H100139 WASHER LOCK
(x2) EXT
8x15

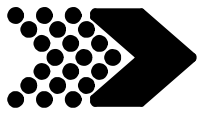


H100111 SCREW PFH
(x4) 8x2

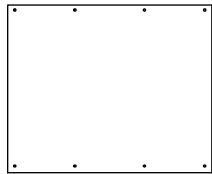


A4M00555 90° L-BRACKET - BLK
(x2)

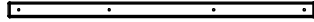




FORT ASSEMBLY STEP 29A



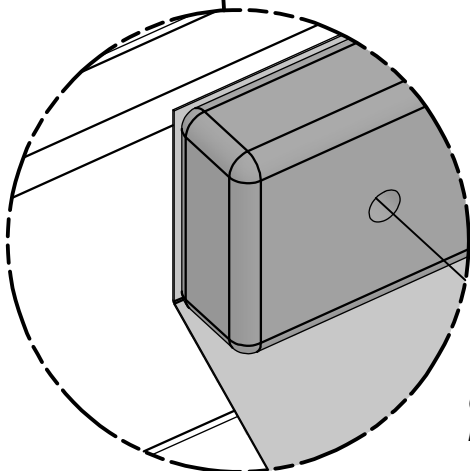
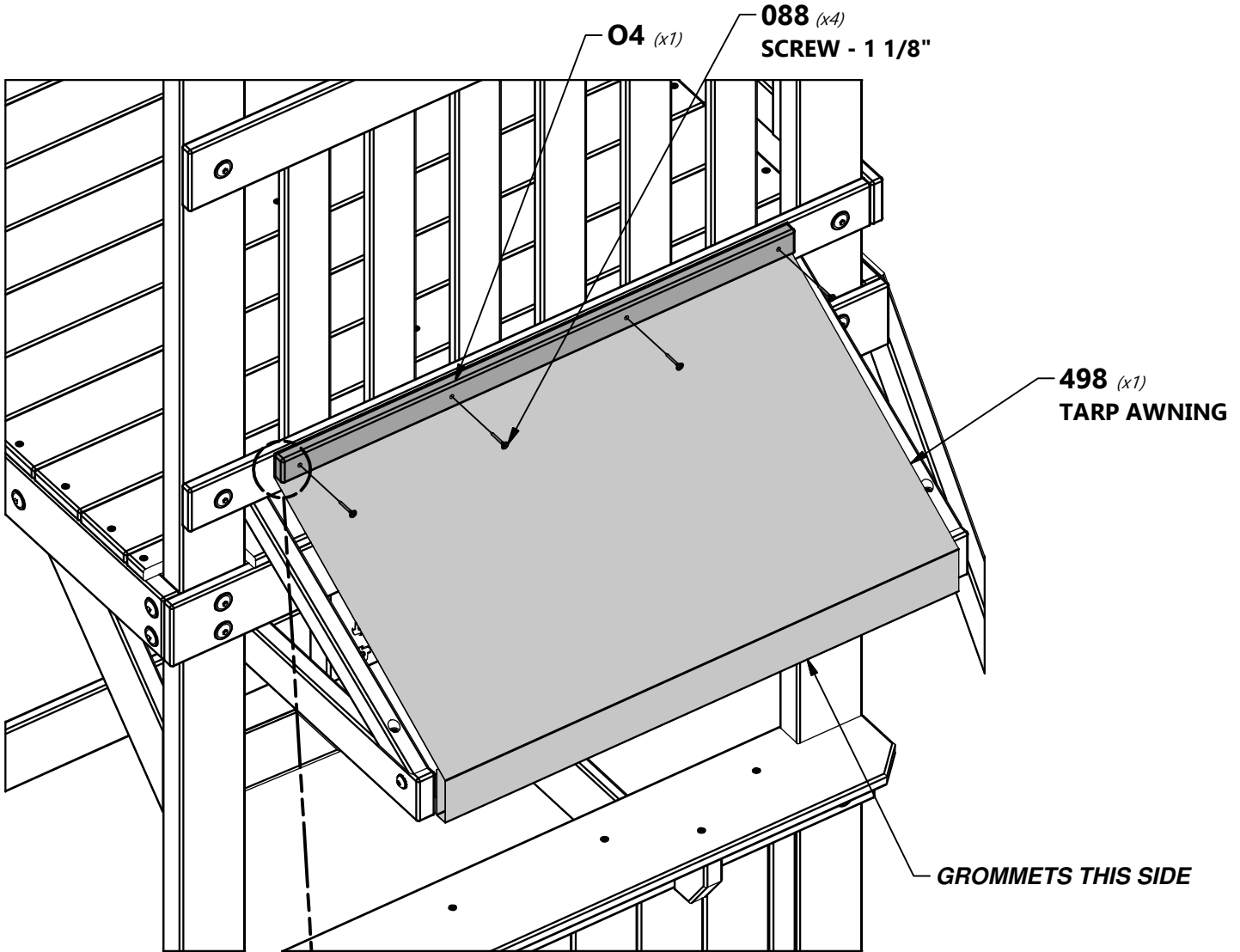
A6P00498 | TARP AWNING
(x1)



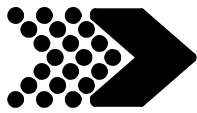
O4 | AWNING BOARD - W4L07053
(x1) | 5/8"x1 3/8"x26 5/8" (16x34x676)



H100088 | SCREW PFH
(x4) | 8x1 1/8



**TOP EDGE OF AWNING
GOES BETWEEN THE
N1 AND O4 BOARDS.**



FORT ASSEMBLY STEP 29B

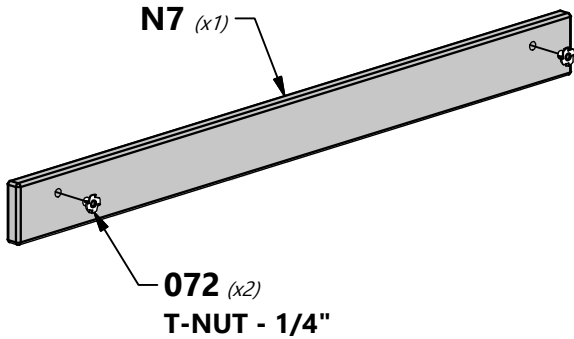
N7 | AWNING BOARD - W4L15020
 (x1) | 5/8"x2 3/8"x28 5/8" (16x60x726)

H100490 | BOLT WH
 (x2) | 1/4x5/8

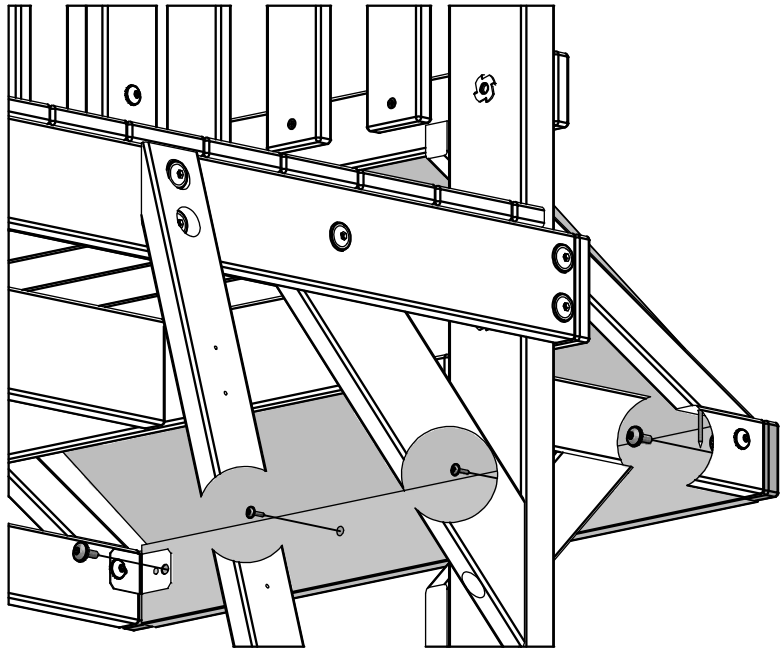
H100072 | T-NUT
 (x2) | 1/4

H100128 | SCREW PWH
 (x2) | 8x5/8

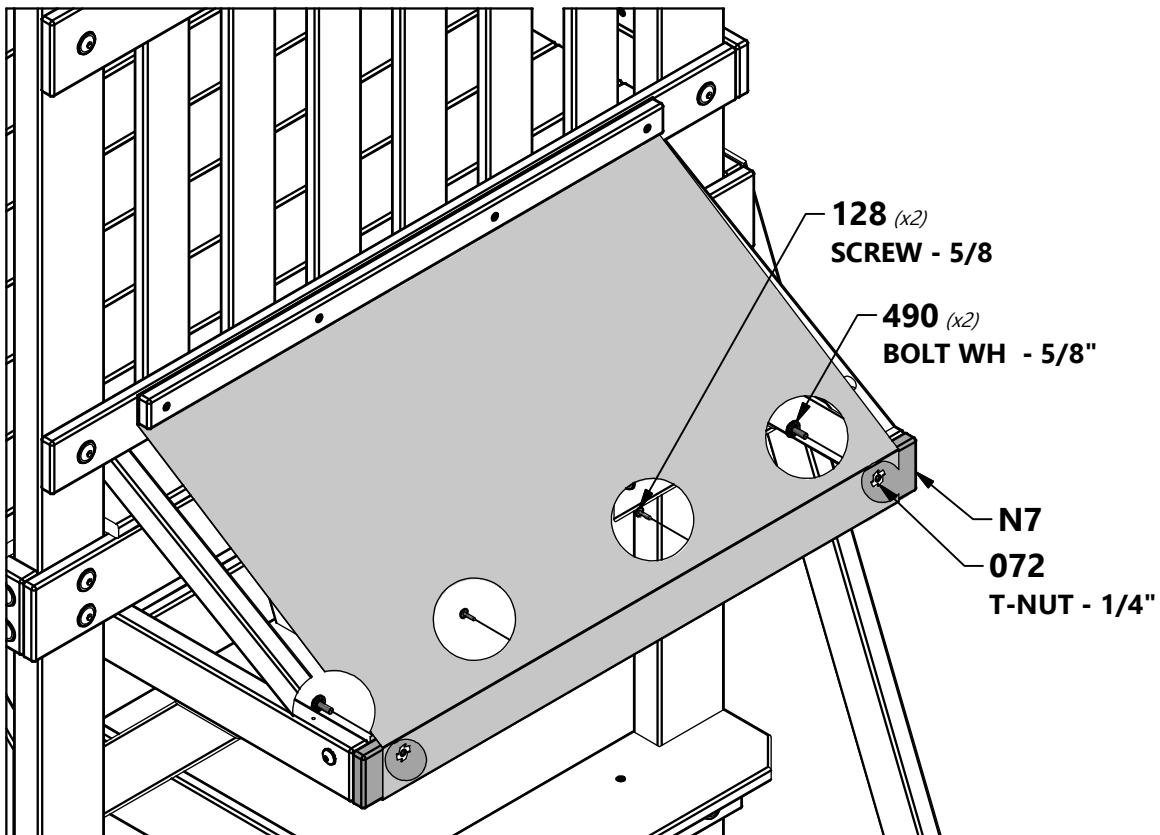
TIP:
 INSTALL T-NUTS IN WOOD FIRST

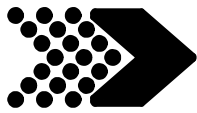


INSIDE VIEW

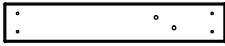


BOTTOM EDGE OF AWNING WRAPS THE N7 BOARD.

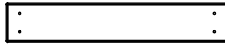




FORT ASSEMBLY STEP 30



M4 | LADDER RUNG - W4L15032
(x5) | 5/8"x3 3/8"x19 1/4" (16x86x489)



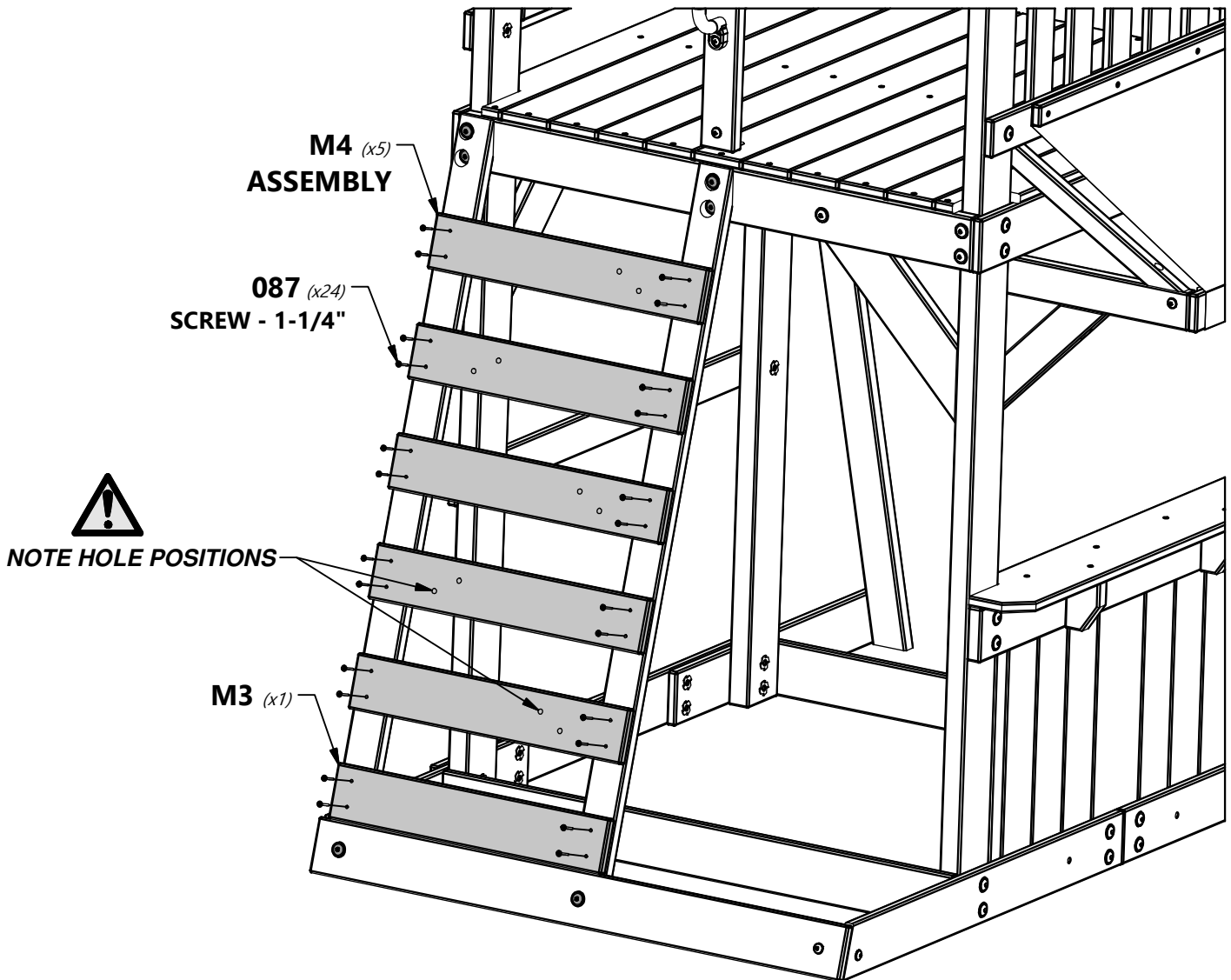
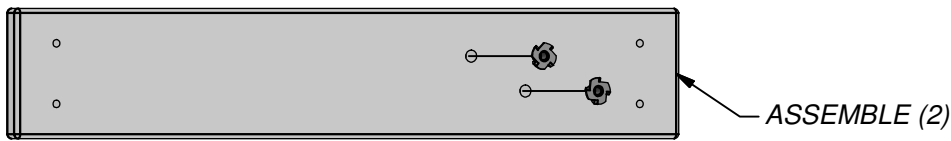
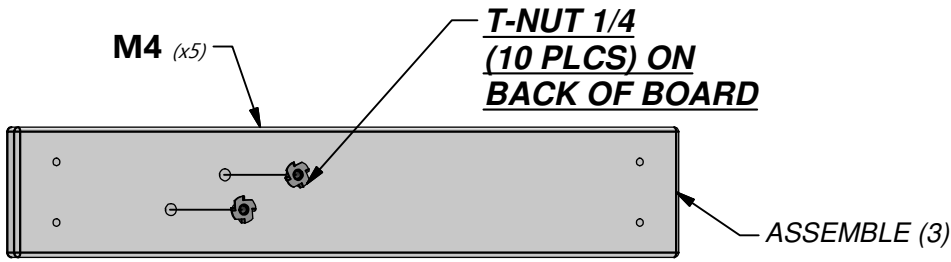
M3 | LADDER RUNG - W4L07520
(x1) | 5/8"x3 3/8"x19 1/4" (16x86x489)

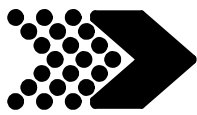


H100087 | SCREW PFH
(x24) | 8x1 1/4



H100072 | T-NUT
(x10) | 1/4






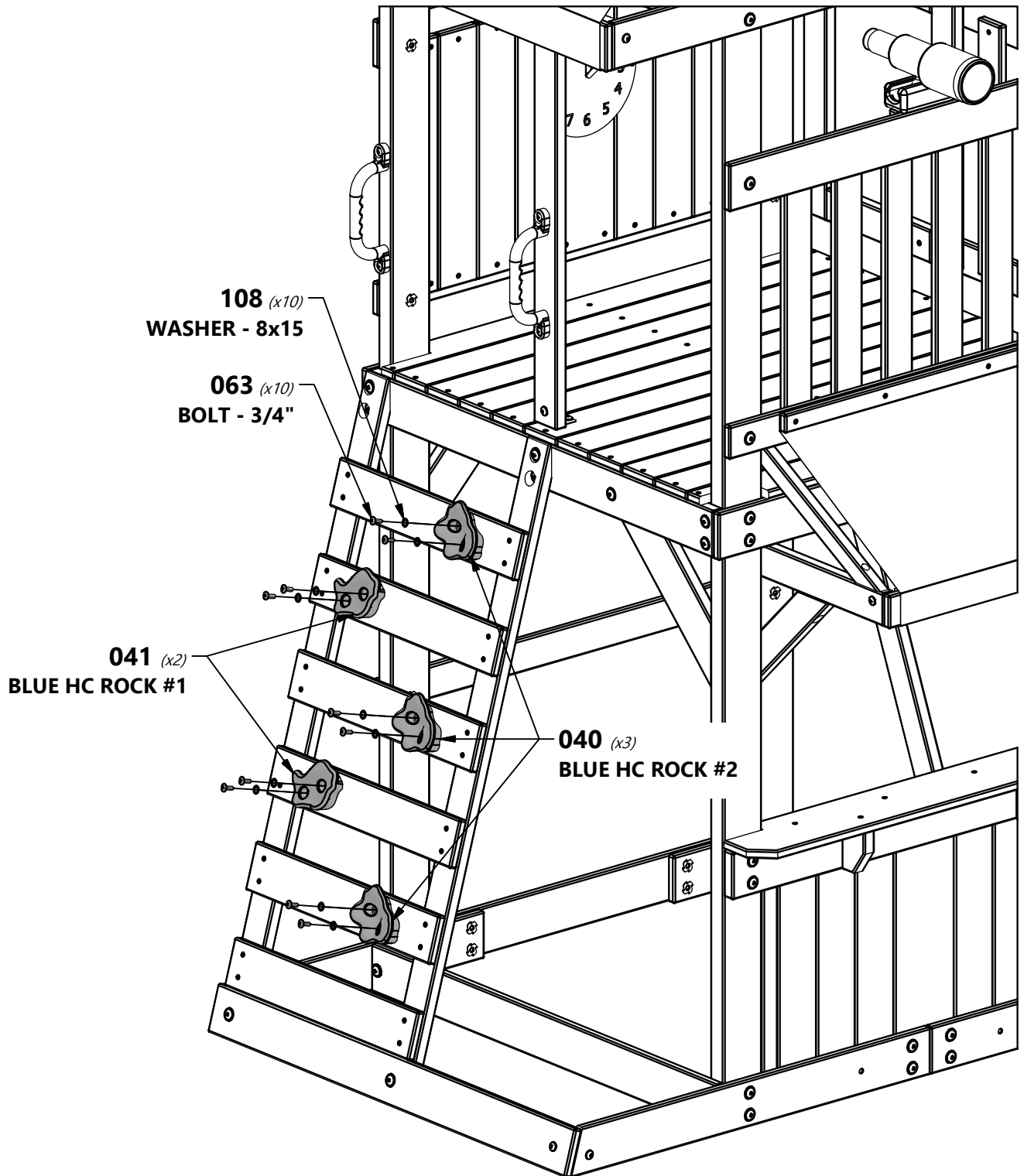
FORT ASSEMBLY STEP 31

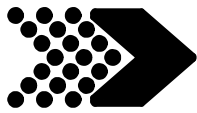

A6P00041 | BLUE HC ROCK #1
(x2)


A6P00040 | BLUE HC ROCK #2
(x3)

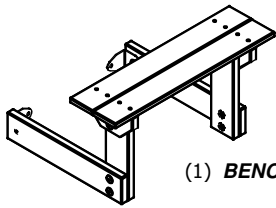

H100063 | BOLT PTH
(x10) | 1/4x3/4


H100108 | WASHER LOCK
(x10) | INT
8x15





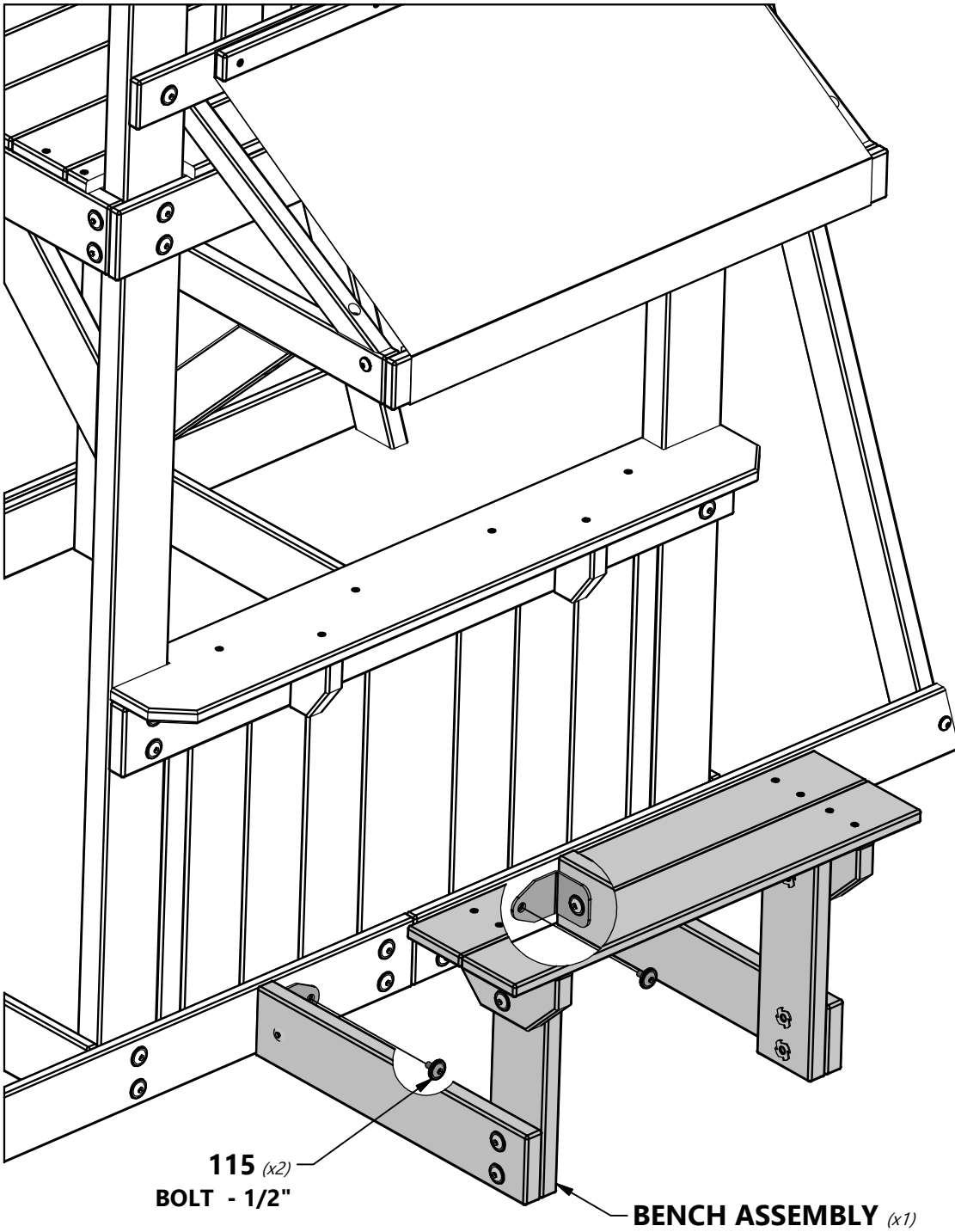
FORT ASSEMBLY STEP 32

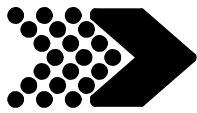


(1) BENCH ASSEMBLY

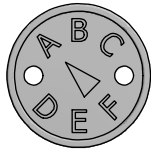


H100115 | BOLT WH
(x2) | 5/16x1/2





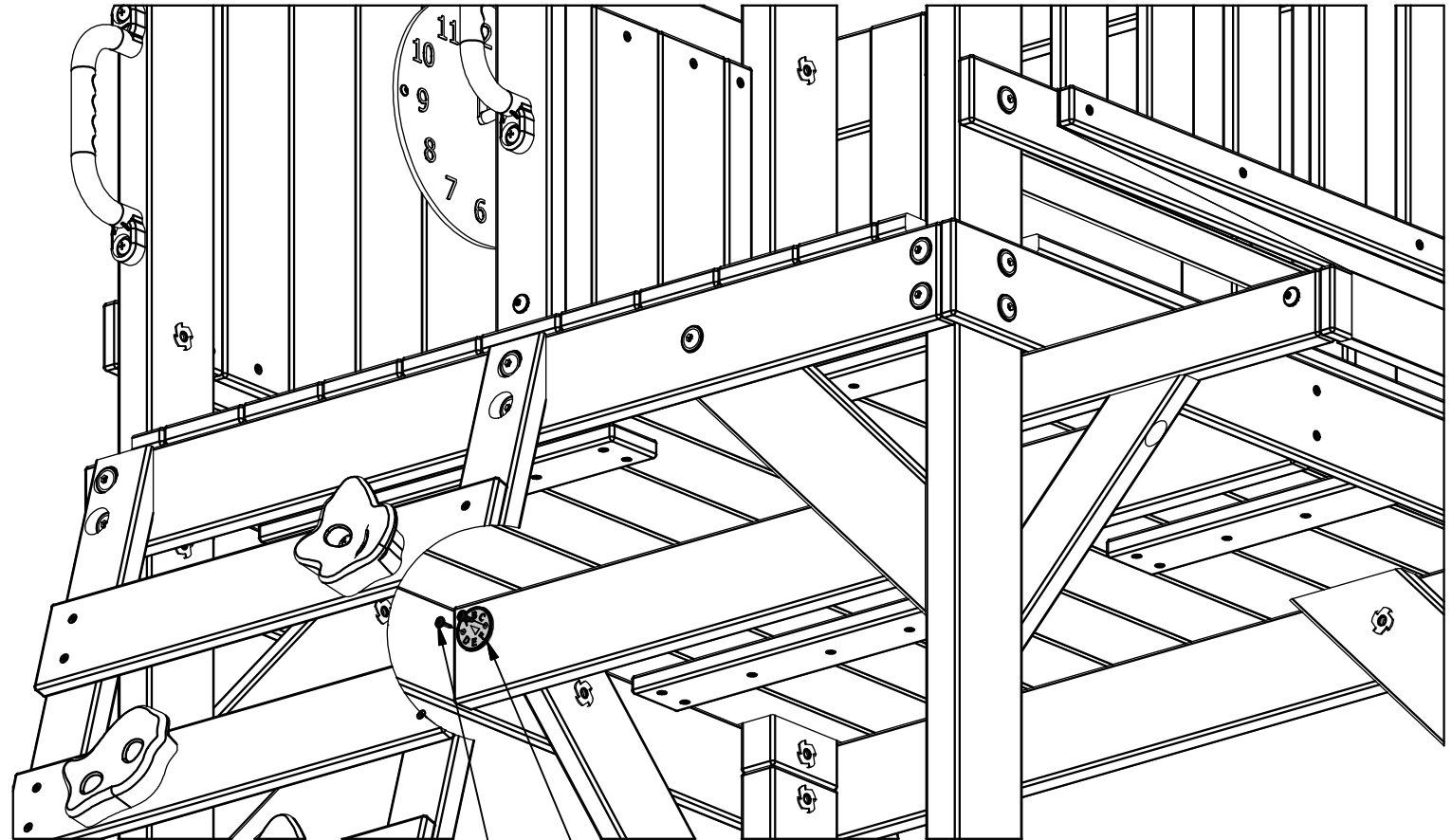
FORT ASSEMBLY STEP 33



A100314 (x1) "A" REVISION TAG

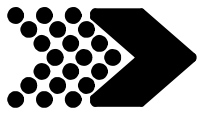


H100128 | SCREW PWH
(x2) 8x5/8

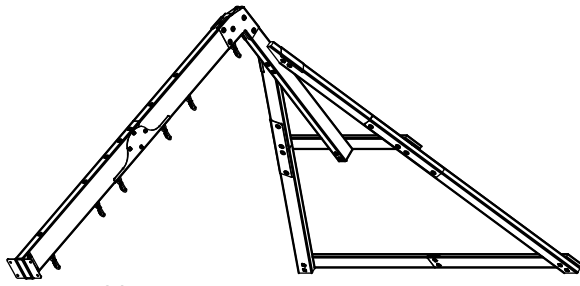


314 (x1)
"A" REVISION TAG

128 (x2)
SCREW - 5/8



FORT ASSEMBLY STEP 34



(1) SWING BEAM ASSEMBLY



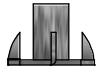
H100042 | BOLT HEX
(x4) | 5/16x1 1/4



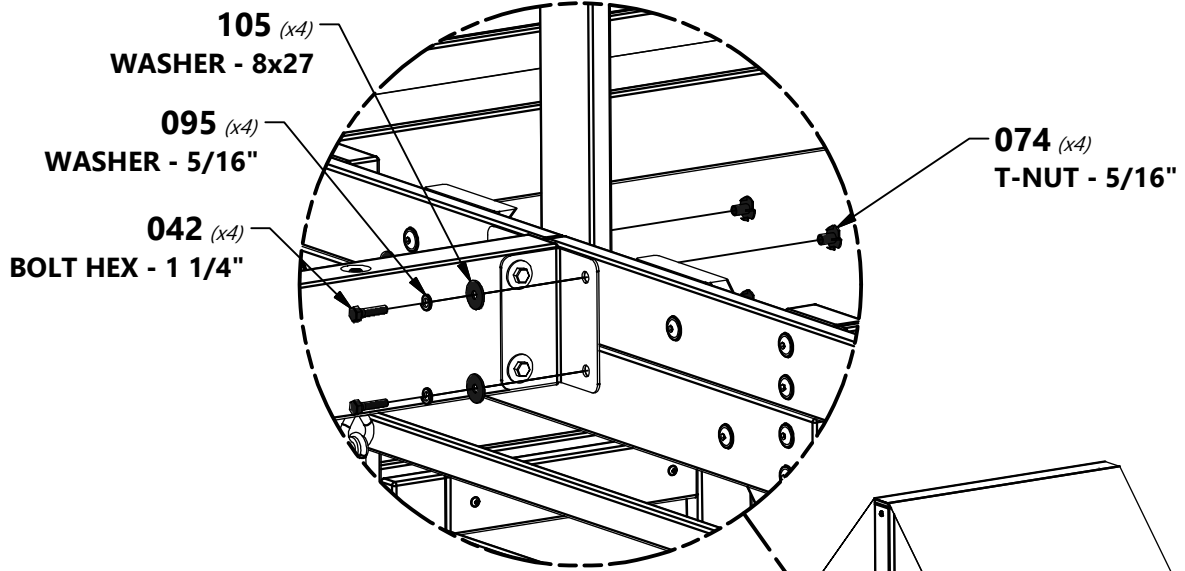
H100095 | WASHER SPLIT
(x4) | 5/16



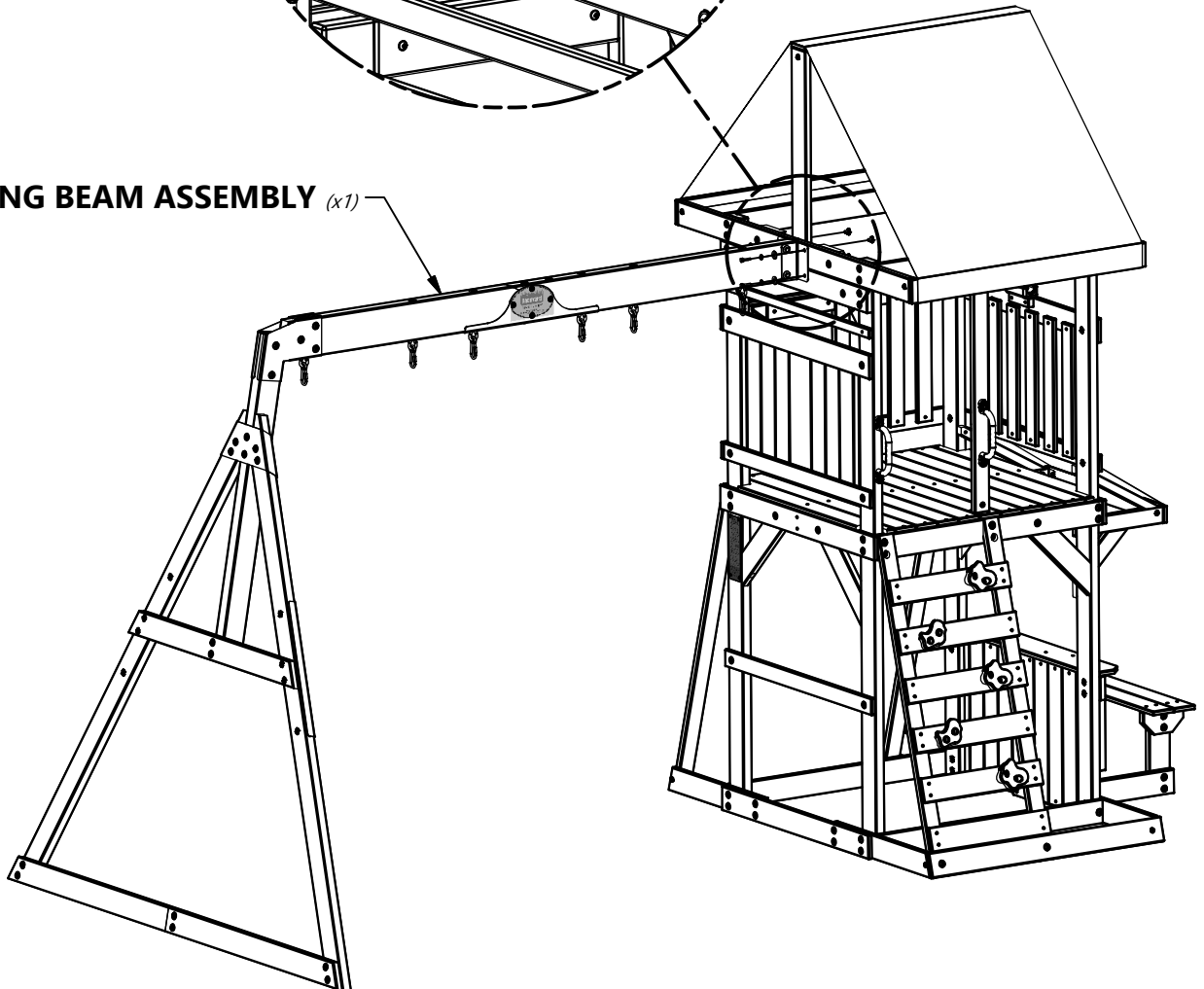
H100105 | WASHER FLAT
(x4) | 8x27

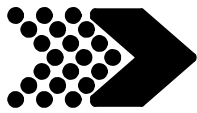


H100074 | T-NUT
(x4) | 5/16

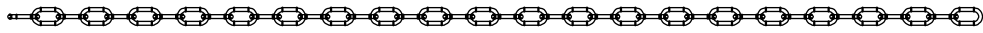


SWING BEAM ASSEMBLY (x1)

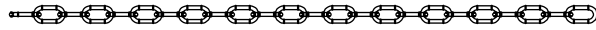




FORT ASSEMBLY STEP 35



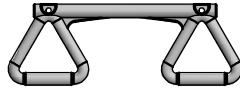
A4M00524 (x4) CHAIN BLUE 51.25"



A4M00525 (x2) CHAIN BLUE 31"



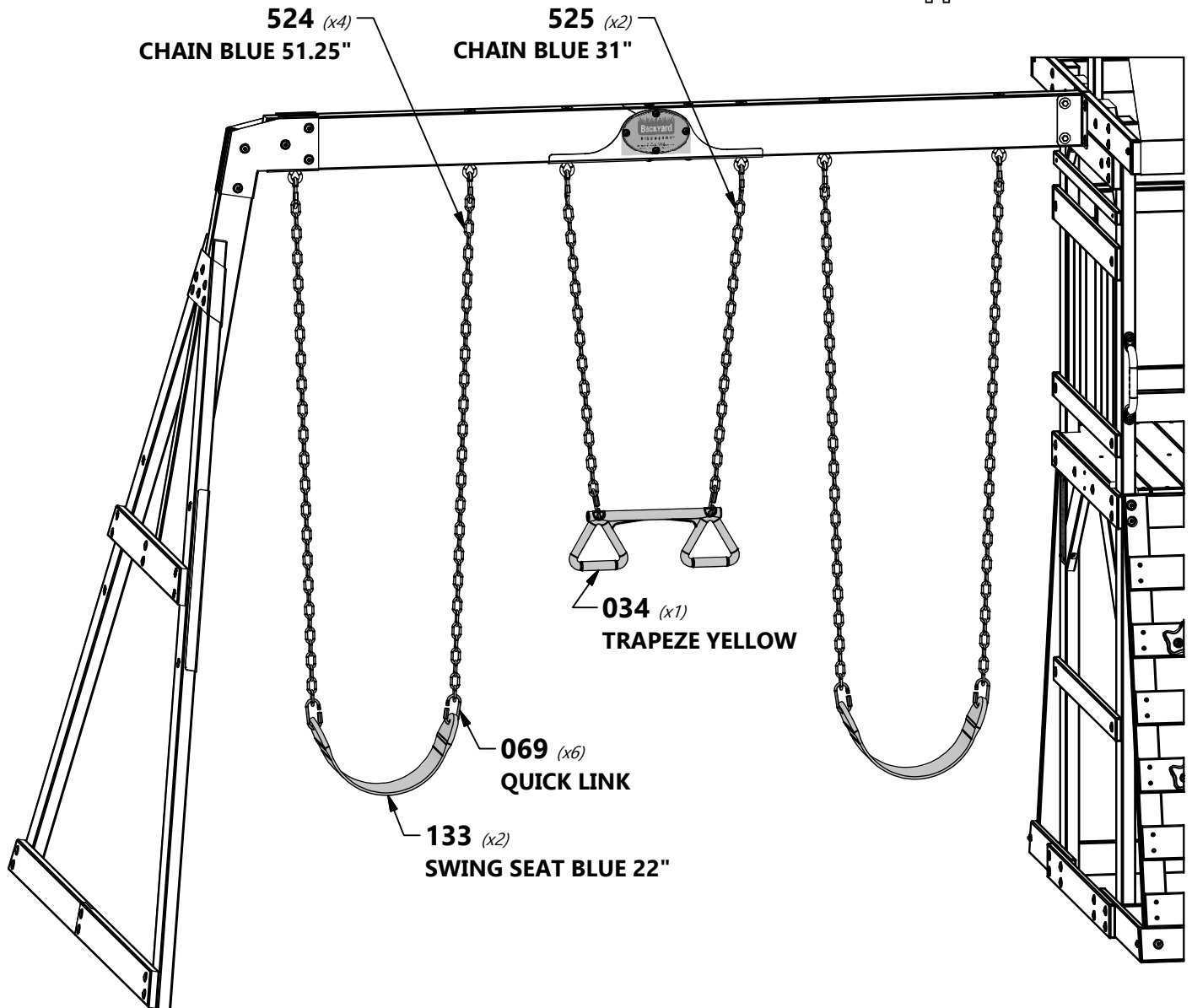
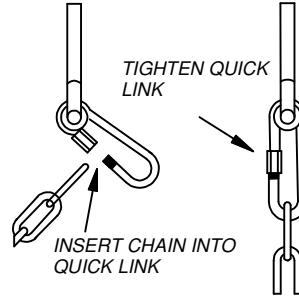
A6P00133 (x2) SWING SEAT BLUE 22"



A6P00034 (x1) TRAPEZE YELLOW



A100069 (x6) QUICK LINK



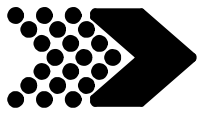
524 (x4) CHAIN BLUE 51.25"

525 (x2) CHAIN BLUE 31"

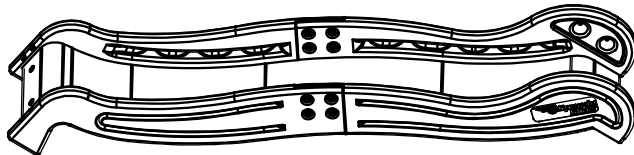
034 (x1) TRAPEZE YELLOW

069 (x6) QUICK LINK

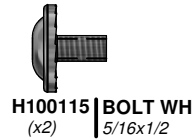
133 (x2) SWING SEAT BLUE 22"



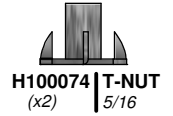
FORT ASSEMBLY STEP 36



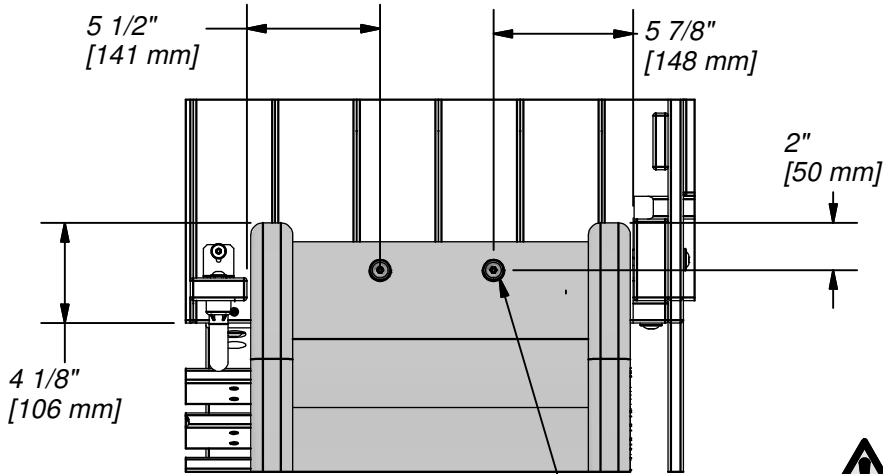
(1) SLIDE ASSEMBLY



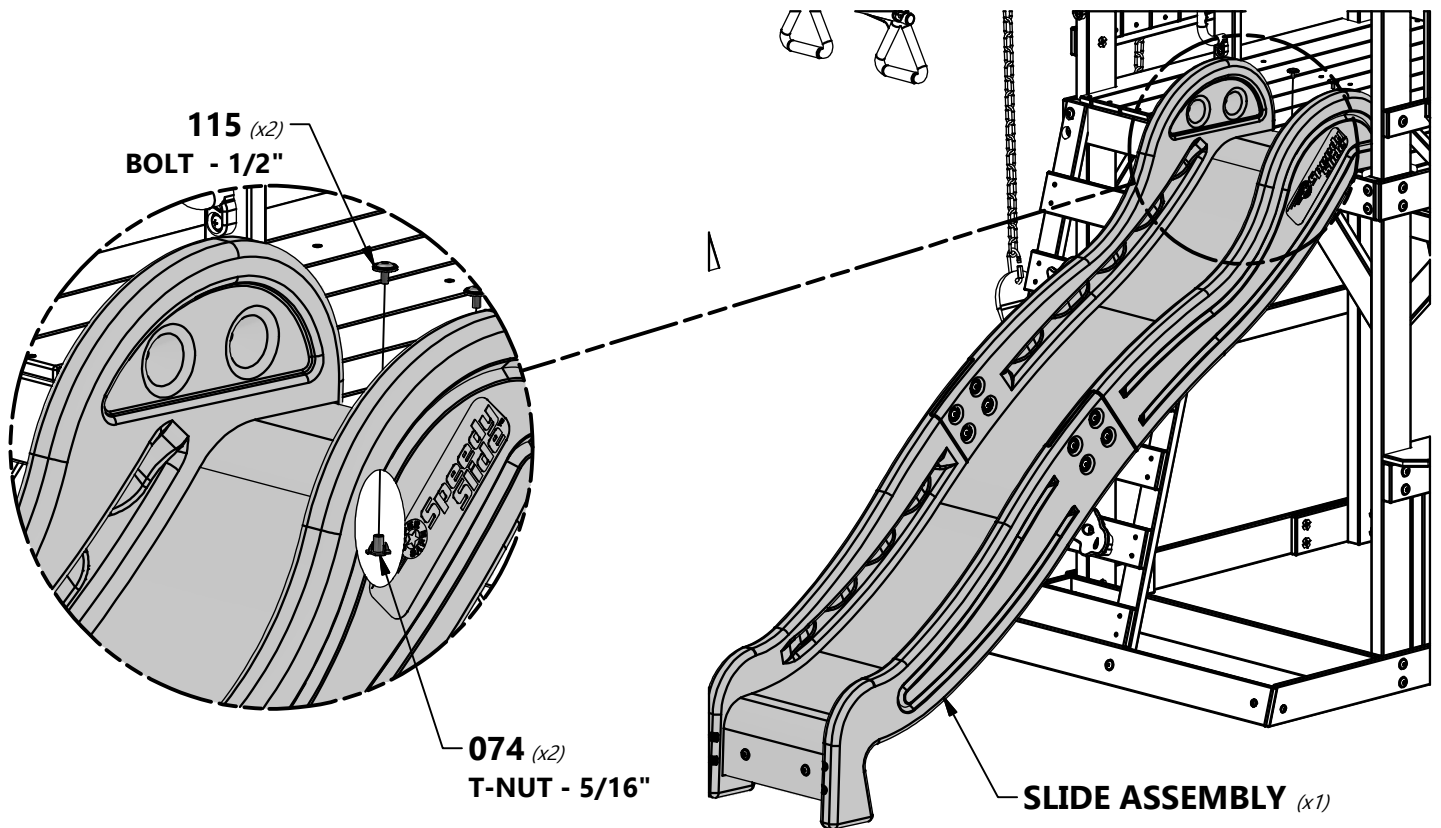
H100115 BOLT WH
(x2) 5/16x1/2

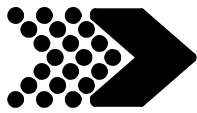


H100074 T-NUT
(x2) 5/16

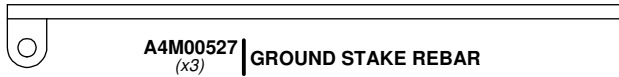


**CENTER SLIDE IN OPENING,
DRILL (2) 3/8 INCH HOLES THRU
SLIDE BED & FLOOR FOR HARDWARE.**





FORT ASSEMBLY STEP 37



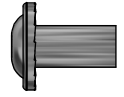
A4M00527 (x3) | GROUND STAKE REBAR



H100115 (x2) | BOLT WH
5/16x1/2



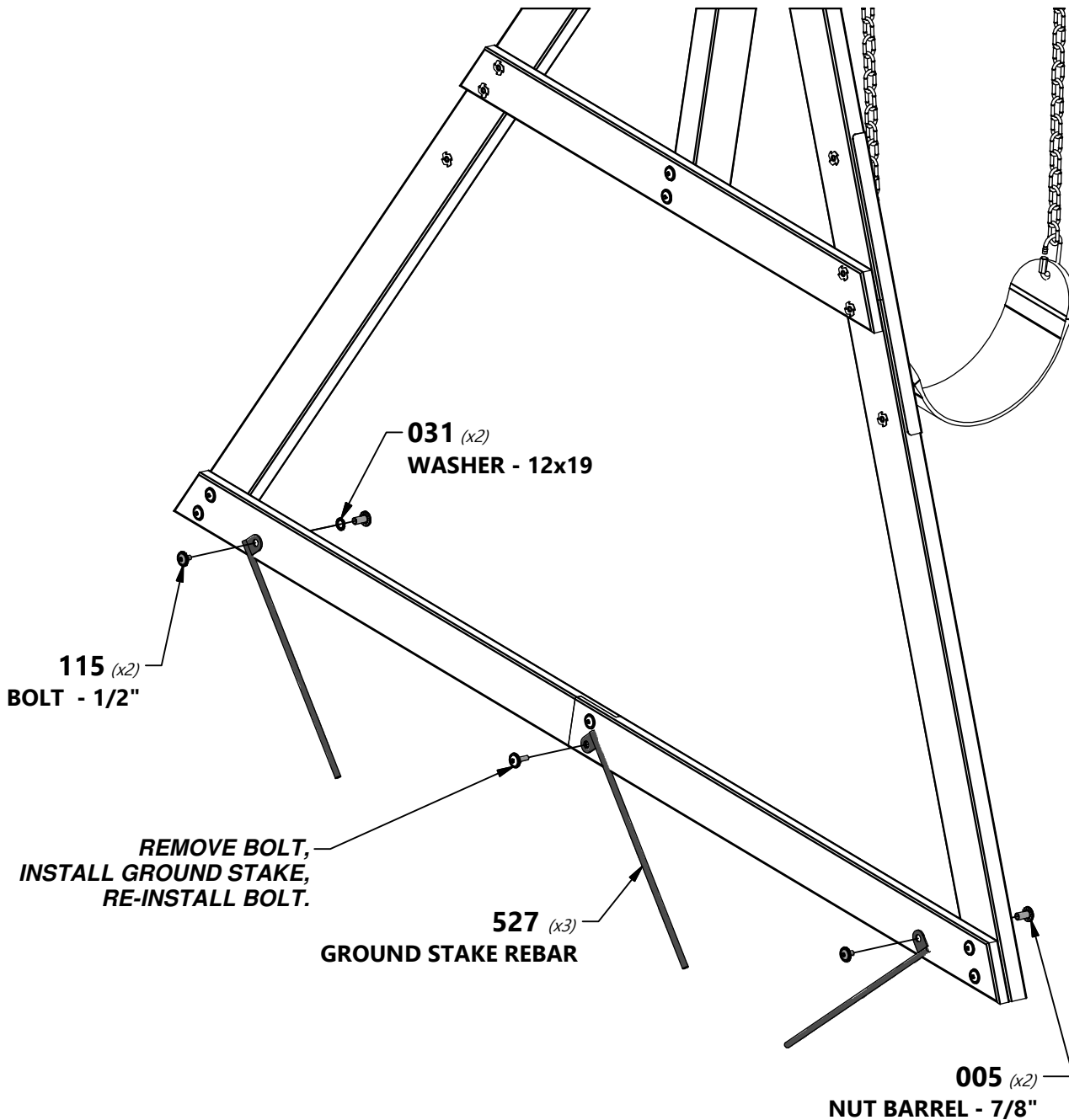
H100031 (x2) | WASHER LOCK
EXT
12x19



H100005 (x2) | NUT BARREL
WH
5/16x7/8

TAP IN GROUND STAKES AT AN APPROXIMATE 45° ANGLE AT THE LOCATIONS SHOWN. USING GROUND STAKES AS A GUIDE, DRILL 7/16" DIA HOLES.

**NOTE:
FAILURE TO USE GROUND STAKES CAN VOID WARRANTY & CAUSE INJURY!**





FORT ASSEMBLY **STEP 38**



A4M00527 | GROUND STAKE REBAR
(x4)



H100115 | BOLT WH
(x4) | 5/16x1/2



H100031 | WASHER LOCK
(x4) | EXT
12x19



H100004 | NUT BARREL
(x4) | WH
5/16 x 5/8

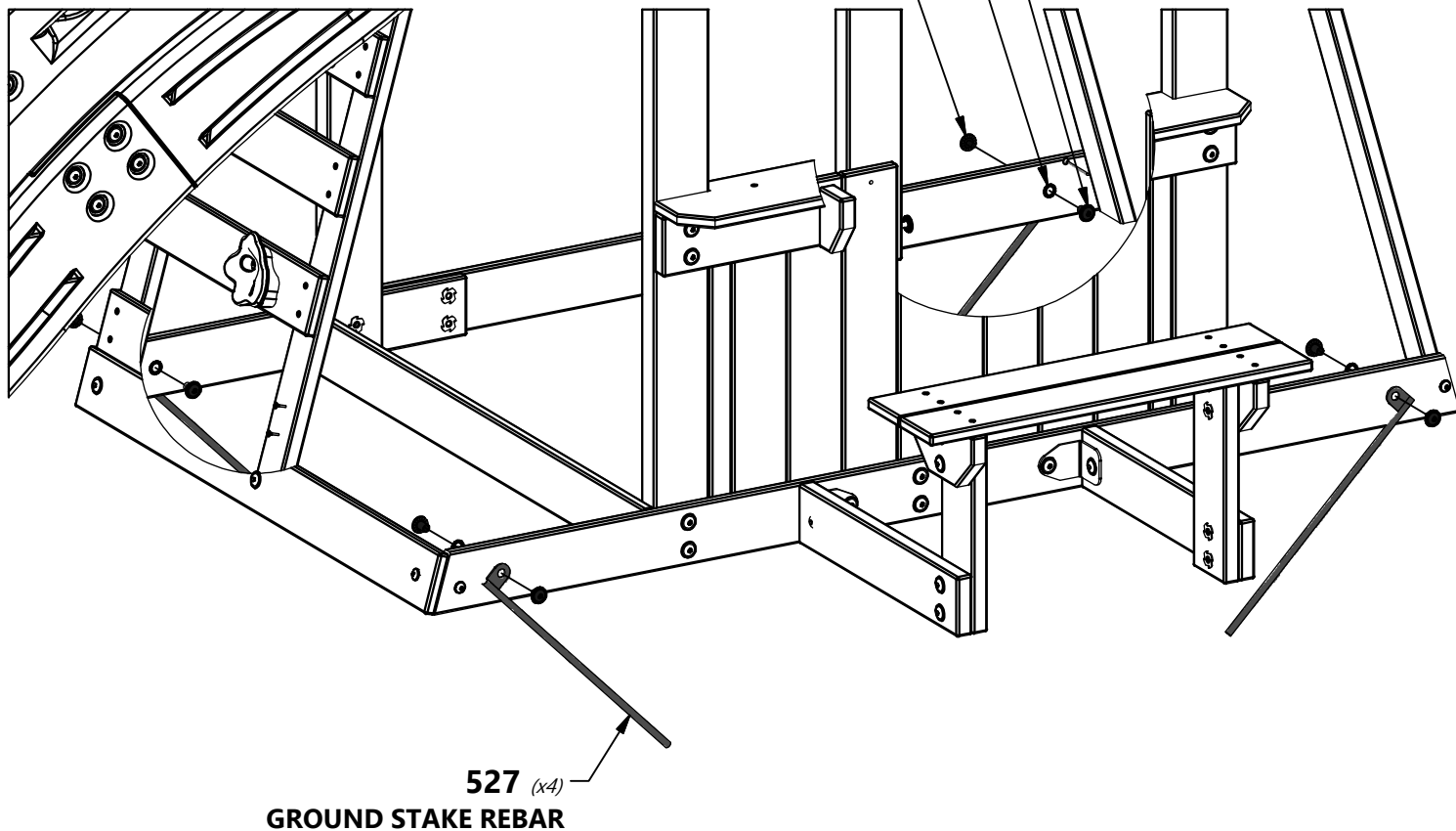
TAP IN GROUND STAKES AT AN APPROXIMATE 45° ANGLE AT THE LOCATIONS SHOWN. USING GROUND STAKES AS A GUIDE, DRILL 7/16" DIA HOLES.

**NOTE:
FAILURE TO USE GROUND STAKES CAN VOID WARRANTY & CAUSE INJURY!**

031 (x4)
WASHER - 12x19

004 (x4)
NUT BARREL - 5/8"

115 (x4)
BOLT - 1/2"



FINAL STEP

DOUBLE CHECK EVERY BOLT, SCREW & NUT FOR TIGHTNESS, MAKE SURE EVERY BOARD IS SECURE AND MAKE SURE THE SWING SET IS LEVEL.

ENJOY YOUR NEW SWING SET!